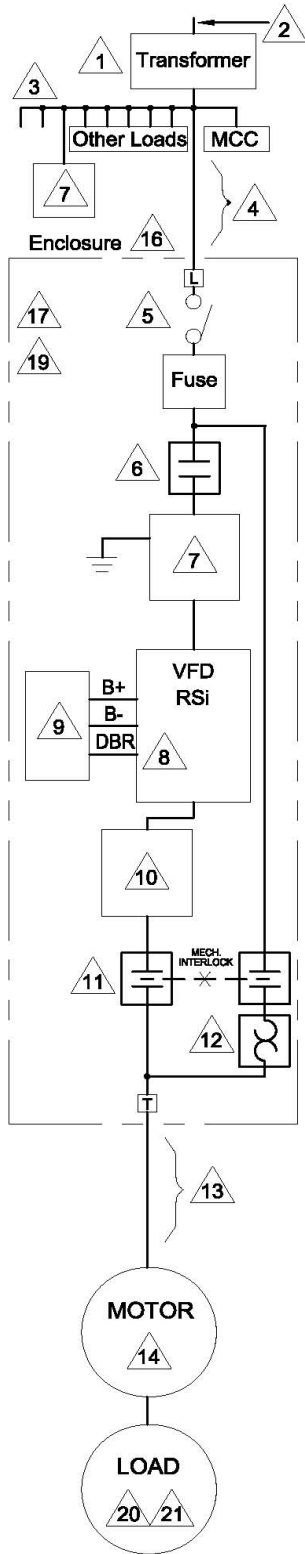


VFD Pre-Sale Check Sheet



Note: Items marked with * are mandatory fields.

Commercial Information	*Company Name _____ Address _____
	*Contact Person _____
	*Email _____ *Phone Number _____



Supply - Incoming 1 Primary (Input) Volts _____ VAC Short Circuit Capability _____ Isc (Amps) WYE-Delta Connection: Y <input type="checkbox"/> N <input type="checkbox"/> Grounded <input type="checkbox"/> Ungrounded <input type="checkbox"/>	Motor Name Plate Data 14 Manufacturer _____ *HP _____ *Volts _____ RPM _____ FLA _____ S.F. _____ KVA/Code _____ Design _____ Frame _____ RTD and type Note: Select only if required. 100 Pt <input type="checkbox"/> 10 Cu <input type="checkbox"/> 100 Ni <input type="checkbox"/> 120 Ni <input type="checkbox"/>
PCC (Point of Common Coupling) 2 *Harmonic Restrictions at PCC: Y <input type="checkbox"/> N <input type="checkbox"/> IEEE519-1992 <input type="checkbox"/> Not Applicable <input type="checkbox"/>	Options 15 Start P/B <input type="checkbox"/> Local/Remote Sw. <input type="checkbox"/> Stop P/B <input type="checkbox"/> Potentiometer <input type="checkbox"/> Emergency Stop <input type="checkbox"/> Pilot Lights: <input type="checkbox"/> P/B <input type="checkbox"/> - Run/Stop <input type="checkbox"/> HOA Switch <input type="checkbox"/> - Forward/Reverse <input type="checkbox"/> Forward P/B <input type="checkbox"/> - Jog <input type="checkbox"/> Reverse P/B <input type="checkbox"/> - Power <input type="checkbox"/> Jog Forward P/B <input type="checkbox"/> - Fault <input type="checkbox"/> Jog Reverse P/B <input type="checkbox"/> Fault Reset P/B <input type="checkbox"/> Other _____
Other Connected Loads 3 *Are PFCCs present? Yes <input type="checkbox"/> No <input type="checkbox"/> Please provide additional details in comment section.	Enclosure 16 *UL Type _____ (1, 3R, 4, 4X, 12) *Ambient temperature range _____°C to _____°C *Altitude 0 to 3300 ft. (1,000m) <input type="checkbox"/> Other _____ Cable Entry/Exit Locations _____ Enclosure Size Restrictions H _____ W _____ D _____
Feeder Cable 4 Cable Length _____ (from transformer) Non-Shielded <input type="checkbox"/> Shielded <input type="checkbox"/>	Control 17 Keypad <input type="checkbox"/> Multi-Motor <input type="checkbox"/> Terminal <input type="checkbox"/> Master <input type="checkbox"/> Follower <input type="checkbox"/> # Analog Inputs _____ Other <input type="checkbox"/> # Analog Outputs _____ Please specify: _____ # Digital Inputs _____ # Relay Outputs _____ Note: Provide any additional details in Notes field on Pg. 2
*Main Disconnect 5 Breaker <input type="checkbox"/> Fusible Disc <input type="checkbox"/> Line Fuses <input type="checkbox"/> KAIC Rating _____ Note: Standard is 65KAIC.	Communications 18 DeviceNet <input type="checkbox"/> ModBus RTU <input type="checkbox"/> Ethernet IP <input type="checkbox"/> ModBus TCP <input type="checkbox"/> Profibus <input type="checkbox"/> Other _____
Input Isolation Contactor 6 Yes <input type="checkbox"/> No <input type="checkbox"/> IEC Rated <input type="checkbox"/> NEMA Rated <input type="checkbox"/>	Meters 19 Motor Amps _____ Motor Volts _____ Frequency _____ RPM _____ Other (Please Specify) _____
*Harmonic Suppression 7 Input Line Reactor 3 <input type="checkbox"/> or 5 <input type="checkbox"/> % Imp. Transformer <input type="checkbox"/> Passive Filter <input type="checkbox"/> 18 Pulse <input type="checkbox"/> RFI/EMI Filter <input type="checkbox"/>	Application Details 20 Regenerative <input type="checkbox"/> Speed Range _____ to _____ RPM Torque vs. Speed Curve <input type="checkbox"/> Holding Brake required? Y <input type="checkbox"/> N <input type="checkbox"/>
*VFD Ratings 8 Constant Torque <input type="checkbox"/> Variable Torque <input type="checkbox"/> CT: 150% for 60 sec, VT: 110% for 60 sec. Note: Provide motor ratings in section 14.	Cable Length 13 See 10 Length _____ Ft _____ M _____ Cable Specification: Non-Shielded <input type="checkbox"/> Shielded <input type="checkbox"/>
Dynamic Braking 9 Load Type: Decel Only <input type="checkbox"/> Overhauling <input type="checkbox"/> Duty Cycle 5% <input type="checkbox"/> 10% <input type="checkbox"/> 25% <input type="checkbox"/> 50% <input type="checkbox"/> 100% <input type="checkbox"/>	Bypass 11 3 Contactor <input type="checkbox"/> Soft Start <input type="checkbox"/> For Contactor Ratings: Rated HP <input type="checkbox"/> NEMA <input type="checkbox"/>
Output Filter 10 Reactor <input type="checkbox"/> Long Lead <input type="checkbox"/> Sine Wave <input type="checkbox"/> 150 ft. ~ 300ft. 300 ft. ~ 1500 ft. > 1500 ft.	Overload 12 For ATL By-pass only: Class 1-40 _____

VFD Pre-Sale Check Sheet



***Load Details** 

Note: Each load type lists application type - Variable or Constant Torque.

VT = Variable Torque, 110% overload for 60 sec. CT = Constant Torque, 150% overload for 60 sec.

Fan		Pump	
Fin Fan Cooler	VT <input type="checkbox"/>	Centrifugal Pump	VT <input type="checkbox"/>
Cooling Tower Fan	VT <input type="checkbox"/>	Centrifugal Compressor	VT <input type="checkbox"/>
Conveyor		Electrical Submersible Pump (ESP)	VT <input type="checkbox"/>
Screw Conveyor	CT <input type="checkbox"/>	PD Pump	VT <input type="checkbox"/>
Belt Conveyor	CT <input type="checkbox"/>	Slurry Pump	VT <input type="checkbox"/>
Flat Conveyor	CT <input type="checkbox"/>	Oil Pump	
Bucket Conveyor	CT <input type="checkbox"/>	Pumpjack (PG)	CT <input type="checkbox"/>
Air Conveyor	CT <input type="checkbox"/>	Progressive Cavity Screw Pump (PCP)	CT <input type="checkbox"/>
		Extruder	
		Single Extruder	CT <input type="checkbox"/>
		Dual Extruder	CT <input type="checkbox"/>
		Piston Extruder	CT <input type="checkbox"/>
		Other	
		Centrifuge	CT <input type="checkbox"/>
		Canter Line	CT <input type="checkbox"/>
		Single-phase input	VT/CT <input type="checkbox"/>
		Other Not Listed Above - Please Specify: _____	

Additional Comments:
