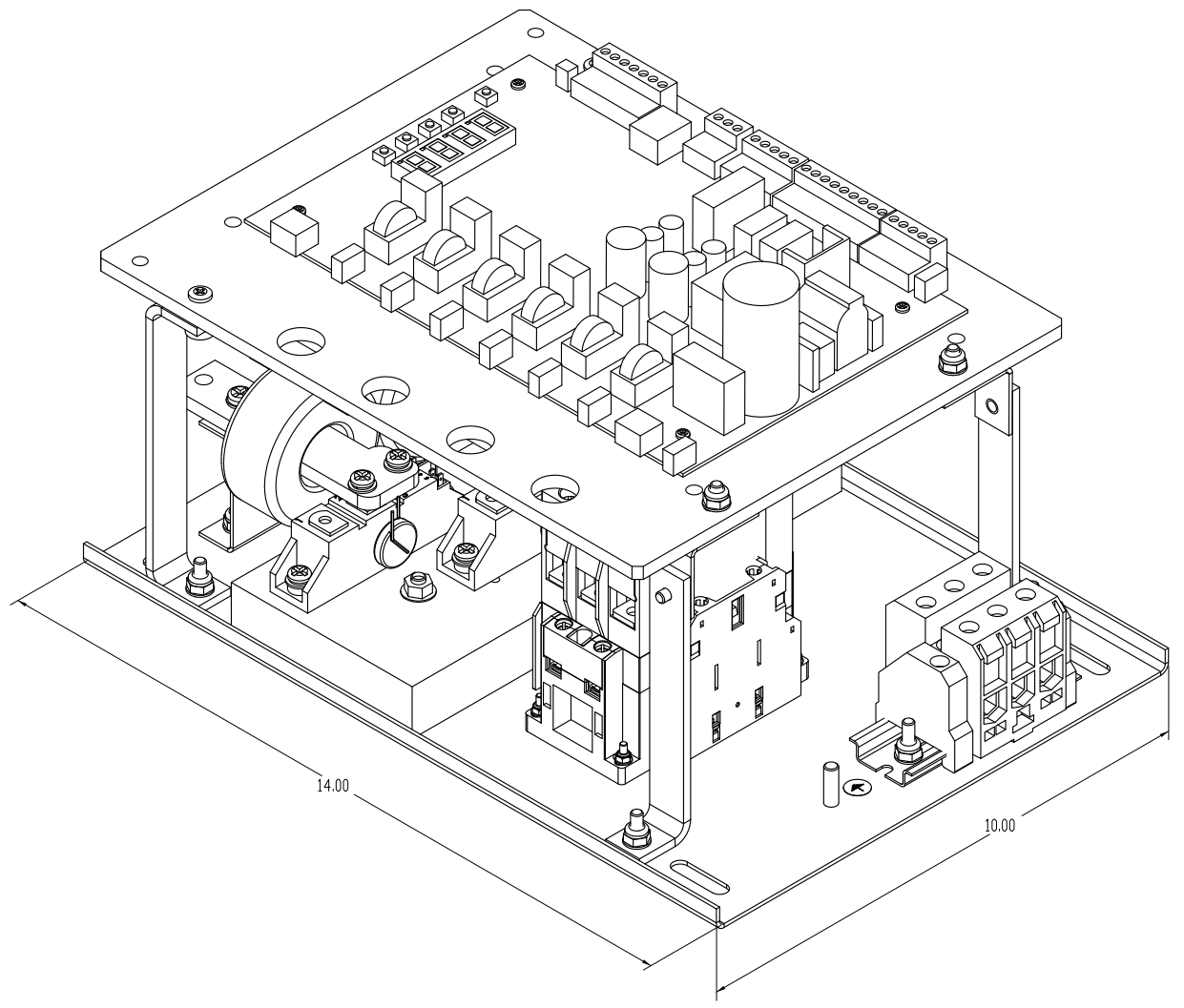
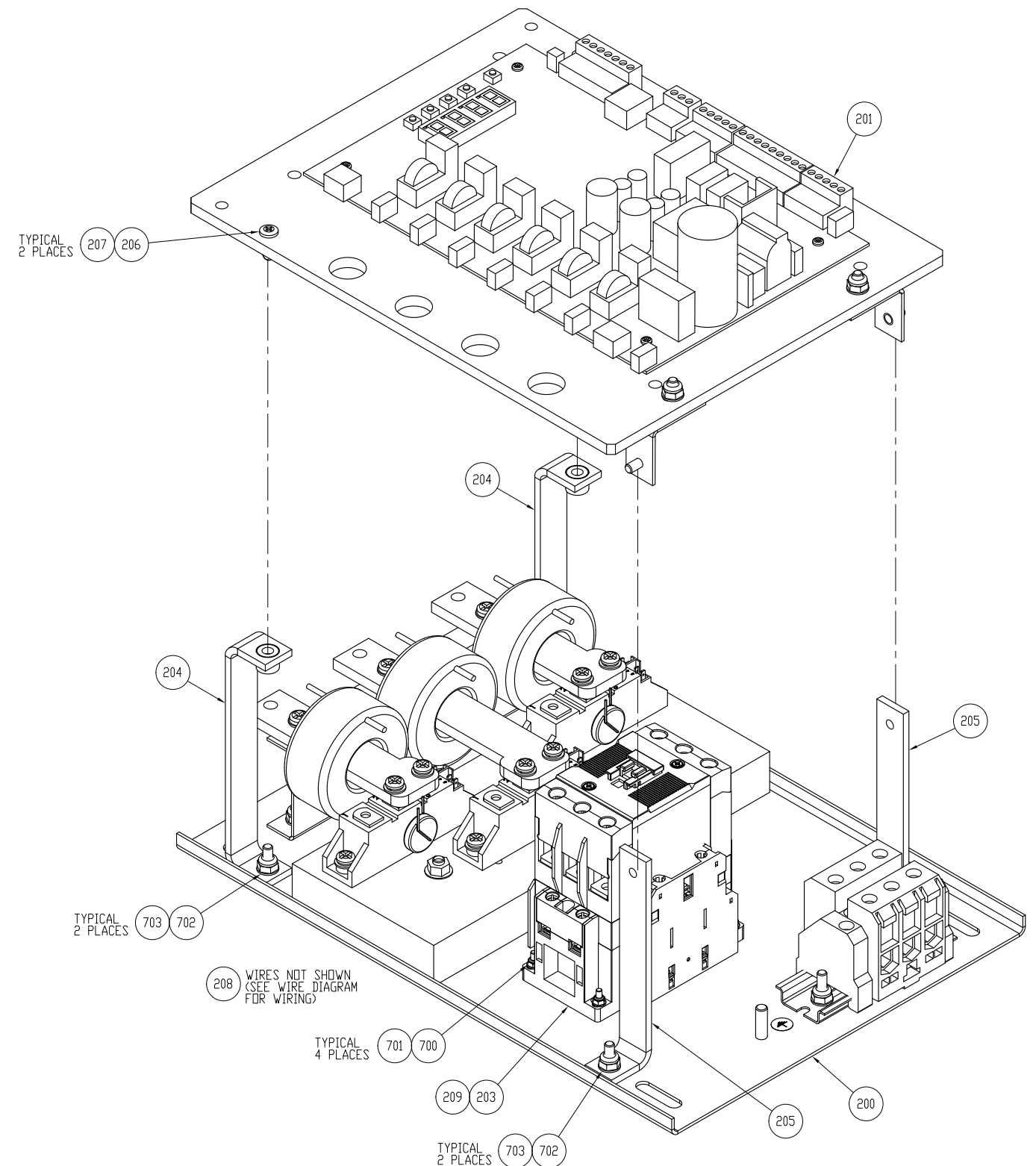


A
B
C
D
E
F
G
H
I
J
K
L
M
N



FULL ASSEMBLY
SCALE: 3/4:1

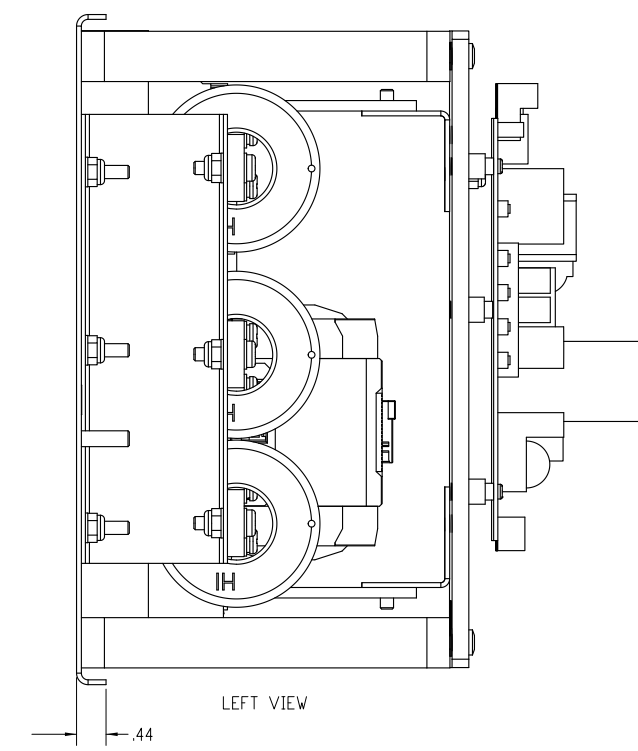
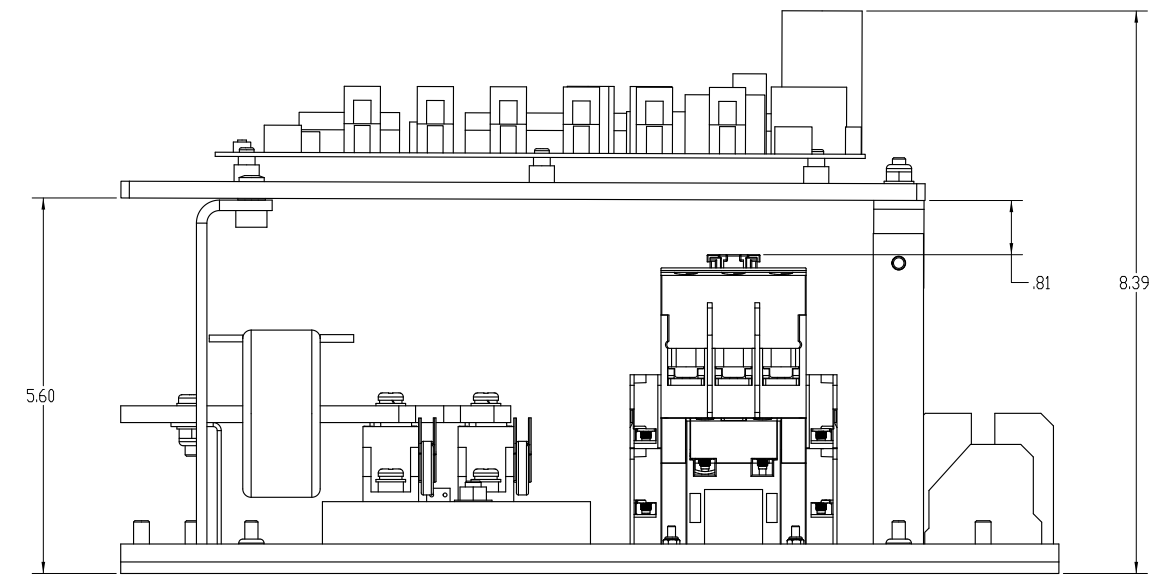
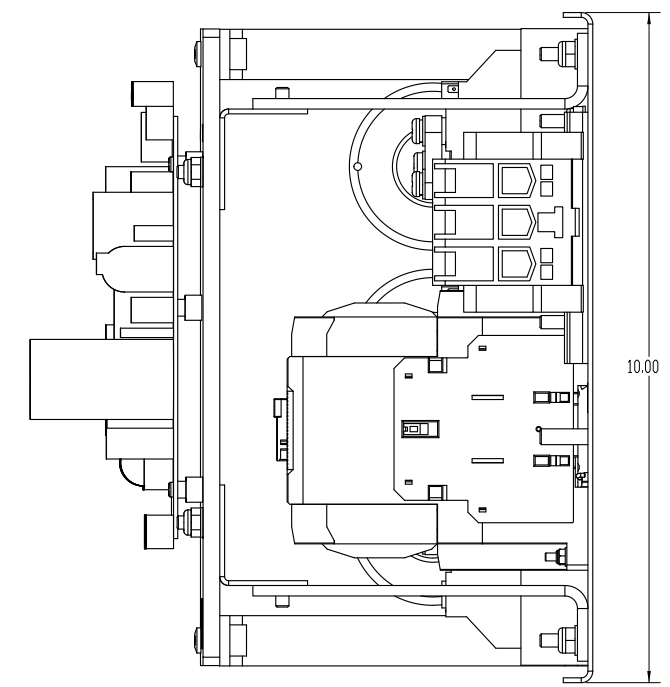
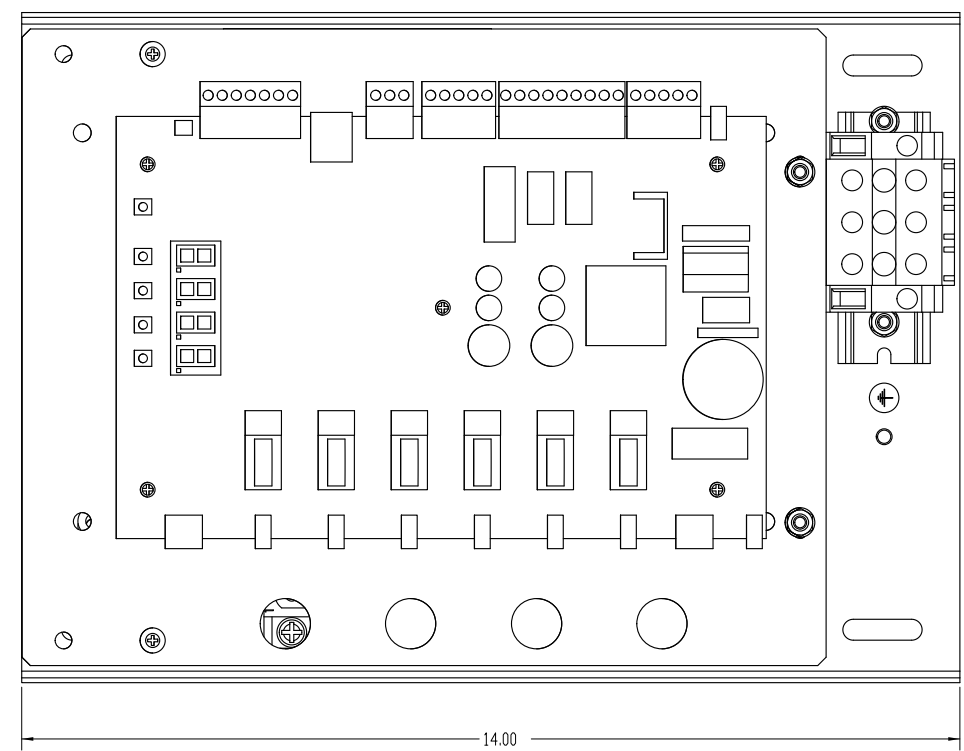
- NOTES:
- TIGHTEN ALL M3-0.50 SCREWS TO 0.7 Nm (0.50 FT LBS)
TIGHTEN ALL M5-0.80 SCREWS TO 3.3 Nm (2.43 FT LBS)
TIGHTEN ALL M6-1.00 BOLTS TO 6.77 Nm (5 FT LBS)

ECO: EC827 APR: MSN 5/2/2012 CHG: JRB 5/5/2012 DESCRIPTION: ADD RC CONTACTOR IN PLACE OF RSC. PWS UPDATED ON DWG.	THIRD ANGLE PROJECTION	UNLESS OTHERWISE SPECIFIED ALL DIMENSION IN INCHES INTERPRET DRAWING PER ASME Y14.5M-1994	SIGNATURES DRWN. BER 4/14/11 CHKD. JAF 4/14/11 ENG. JAF 4/14/11 MFG.	DATE 4/14/11	TITLE: RB2-1-S-065A-12C STANDARD FAULT 10KA MX2 65A OD/95A ID NORMAL 55A OD/108A ID @115% 600VAC	BENSHAW 65 ALPA DRIVE PITTSBURGH, PA 15201 PHONE: (412) 942-2000 FAX: (412) 942-2001 WWW.BENSHAW.COM		
	THIS DRAWING AND ALL INFORMATION CONTAINED HEREIN IS THE PROPERTY OF BENSHAW INC. AND IS NOT TO BE REPRODUCED, COPIED, OR TRANSMITTED IN ANY FORM OR BY ANY MEANS, ELECTRONIC OR MECHANICAL, INCLUDING PHOTOCOPYING, RECORDING, OR BY ANY INFORMATION STORAGE AND RETRIEVAL SYSTEM, WITHOUT THE EXPRESS WRITTEN CONSENT OF BENSHAW INC. CONVENIENCE OF THE USER AND SHALL BE RETURNED UPON REQUEST.	TOLERANCES: .XX ± .03 .XXX ± .015 ANGLES ± 1°	MATERIAL: FINISH:	SIZE D			DWG NO. CH-440132-00	REV 1
	DO NOT SCALE DWG	FINISH:	SCALE: 3/4:1	SHEET: 1 OF 2				

1 2 3 4 5 6 7 8 9 10 11 12 13 14 15 16 17 18 19 20 21 22 23 24 25 26 27 28

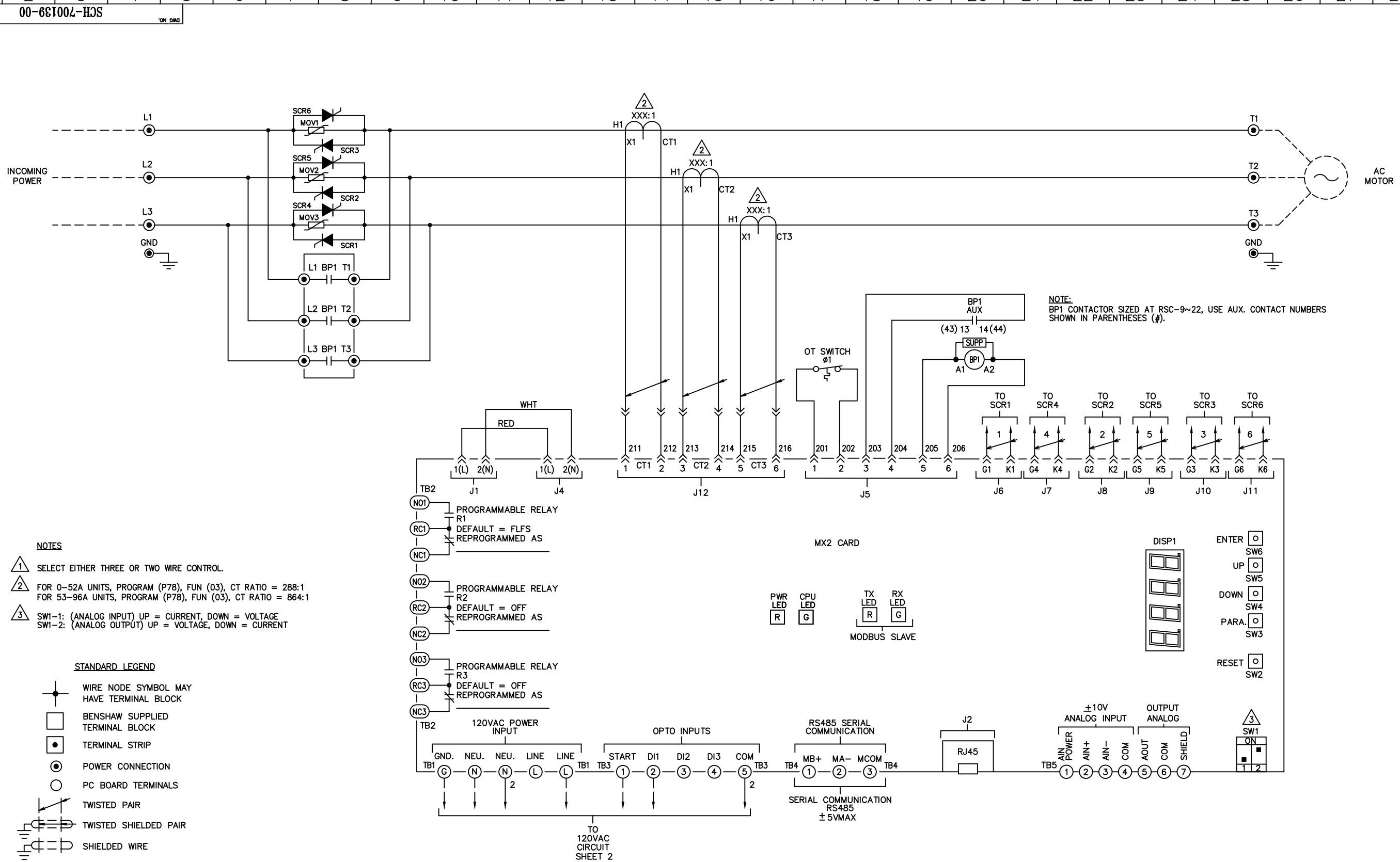
CH-440132-00

A
B
C
D
E
F
G
H
I
J
K
L
M
N



DO NOT SCALE DWG	THIRD ANGLE PROJECTION	UNLESS OTHERWISE SPECIFIED ALL DIMENSION IN INCHES INTERPRET DRAWING PER ASME Y14.5M-1994 TOLERANCES: .XX ± .03 .XXX ± .015 ANGLES ± 1° MATERIAL: FINISH:	SIGNATURES	DATE	TITLE: RB2-1-S-065A-12C STANDARD FAULT 10KA MX2 65A OD/95A ID NORMAL 55A OD/108A ID @115% 600VAC		65 BENTLEY ST. C. LEBANON, OHIO 45031 513-526-1000			
	THIS DRAWING AND ALL INFORMATION CONTAINED HEREIN IS THE PROPERTY OF BENSHAW INC. AND DIVULGED TO UNAUTHORIZED PERSONS WITHOUT THE EXPRESS WRITTEN CONSENT OF BENSHAW INC. CONVENIENCE OF THE USER AND SHALL BE RETURNED UPON REQUEST.		DRWN. BER	4/14/11				SIZE	DWG NO.	REV
			CHKD. JAF	4/14/11				D	CH-440132-00	1
			ENG. JAF	4/14/11				SCALE: 3/4:1		SHEET: 2 OF 2
MFG.										

1 2 3 4 5 6 7 8 9 10 11 12 13 14 15 16 17 18 19 20 21 22 23 24 25 26 27 28



- NOTES**
- 1 SELECT EITHER THREE OR TWO WIRE CONTROL.
 - 2 FOR 0-52A UNITS, PROGRAM (P78), FUN (03), CT RATIO = 288:1
FOR 53-96A UNITS, PROGRAM (P78), FUN (03), CT RATIO = 864:1
 - 3 SW1-1: (ANALOG INPUT) UP = CURRENT, DOWN = VOLTAGE
SW1-2: (ANALOG OUTPUT) UP = VOLTAGE, DOWN = CURRENT

- STANDARD LEGEND**
- WIRE NODE SYMBOL MAY HAVE TERMINAL BLOCK
 - BENSHAW SUPPLIED TERMINAL BLOCK
 - TERMINAL STRIP
 - POWER CONNECTION
 - PC BOARD TERMINALS
 - TWISTED PAIR
 - TWISTED SHIELDED PAIR
 - SHIELDED WIRE
 - FIELD WIRING




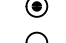
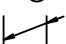
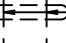
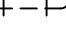


REVISIONS DO NOT SCALE DWG	THIRD ANGLE PROJECTION	UNLESS OTHERWISE SPECIFIED ALL DIMENSIONS IN INCHES INTERPRET DRAWING PER ASME Y14.5M-1994 TOLERANCES: .XX ± .03 .XXX ± .015 ANGLES ± 1° MATERIAL: FINISH:	TITLE: MASTER POWER SCHEMATIC RB2, W/MX2 CONTROL FOR: 0-96A CHASSIS	SIGNATURES DRWN: JMD 1/2/2008 ENG: MSN 1/2/2008 MFD: SIZE: D DWG NO.:	BENSHAW 815 ALPHA DRIVE PITTSBURGH, PA 15238 550 BRIGHT STREET LISTONEL, ONTARIO M4W 3W3		
	THIS DRAWING AND ALL INFORMATION CONTAINED HEREIN, IS THE PROPERTY OF BENSHAW INC., AND MAY NOT BE REPRODUCED, OR DIVULGED TO UNAUTHORIZED PERSONS WITHOUT THE EXPRESS WRITTEN CONSENT OF BENSHAW INC. IT IS PROVIDED SOLELY FOR THE CONVENIENCE OF THE USER AND SHALL BE RETURNED UPON REQUEST.			SCALE: 1:1		REV 0	
	TO 120VAC CIRCUIT SHEET 2			SERIAL COMMUNICATION RS485 ± 5VMAX		OUTPUT ANALOG	
	TO 120VAC CIRCUIT SHEET 2			SERIAL COMMUNICATION RS485 ± 5VMAX		OUTPUT ANALOG	

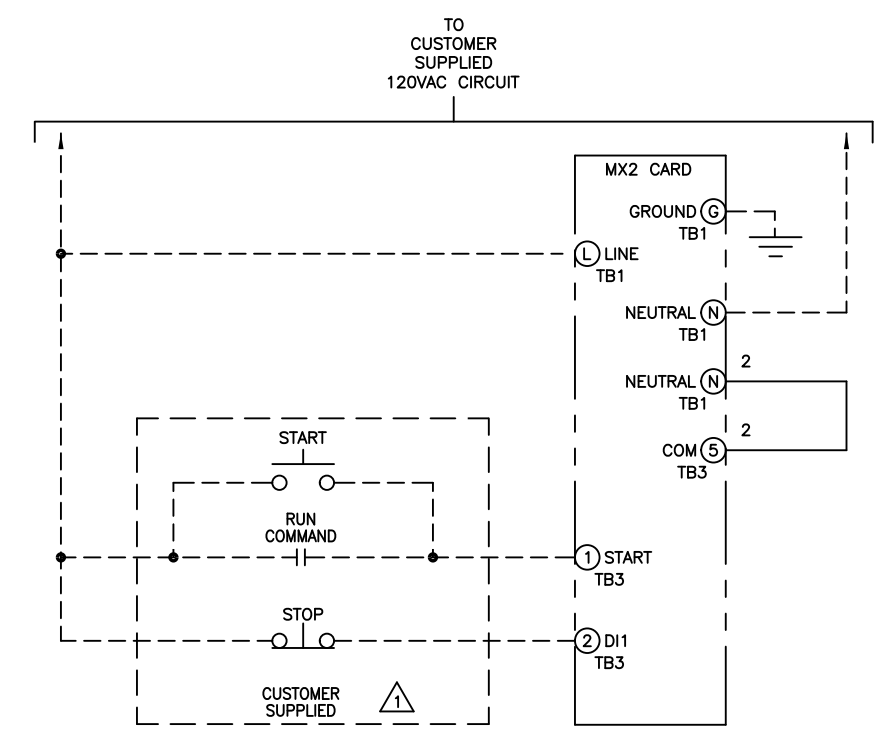
1 2 3 4 5 6 7 8 9 10 11 12 13 14 15 16 17 18 19 20 21 22 23 24 25 26 27 28

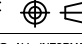

A
B
C
D
E
F
G
H
I
J
K
L
M
N

00-661004-HJS
ON DIM

STANDARD LEGEND

-  WIRE NODE SYMBOL MAY HAVE TERMINAL BLOCK
-  BENSRAW SUPPLIED TERMINAL BLOCK
-  TERMINAL STRIP
-  POWER CONNECTION
-  PC BOARD TERMINALS
-  TWISTED PAIR
-  TWISTED SHIELDED PAIR
-  SHIELDED WIRE
-  FIELD WIRING



REVISIONS DO NOT SCALE DWG	THIRD ANGLE PROJECTION 	UNLESS OTHERWISE SPECIFIED ALL DIMENSIONS IN INCHES INTERPRET DRAWING PER ASME Y14.5M-1994 TOLERANCES: .XX ± .03 .XXX ± .015 ANGLES ± 1°	TITLE: MASTER CONTROL SCHEMATIC RB2, W/MX2 CONTROL FOR: 0-96A CHASSIS	SIGNATURES: _____ DATE: 1/2/2006 DRWN: JMD ENG: MSN MFG: _____ SIZE: D DWG NO.	 BENSRAW 815 ALPHA DRIVE PITTSBURGH, PA 15238 550 BRIGHT STREET LISTONEL, ONTARIO M4W 3W3	REV: 0
	THIS DRAWING AND ALL INFORMATION CONTAINED HEREIN, IS THE PROPERTY OF BENSRAW INC., AND MAY NOT BE REPRODUCED, OR DIVULGED TO UNAUTHORIZED PERSONS WITHOUT THE EXPRESS WRITTEN CONSENT OF BENSRAW INC. IT IS PROVIDED SOLELY FOR THE CONVENIENCE OF THE USER AND SHALL BE RETURNED UPON REQUEST.	MATERIAL: _____ FINISH: _____	SCALE: 1:1	SHEET 2 OF 2		
	SCH-700139-00		REV 0			
	00-661004-HJS		0			