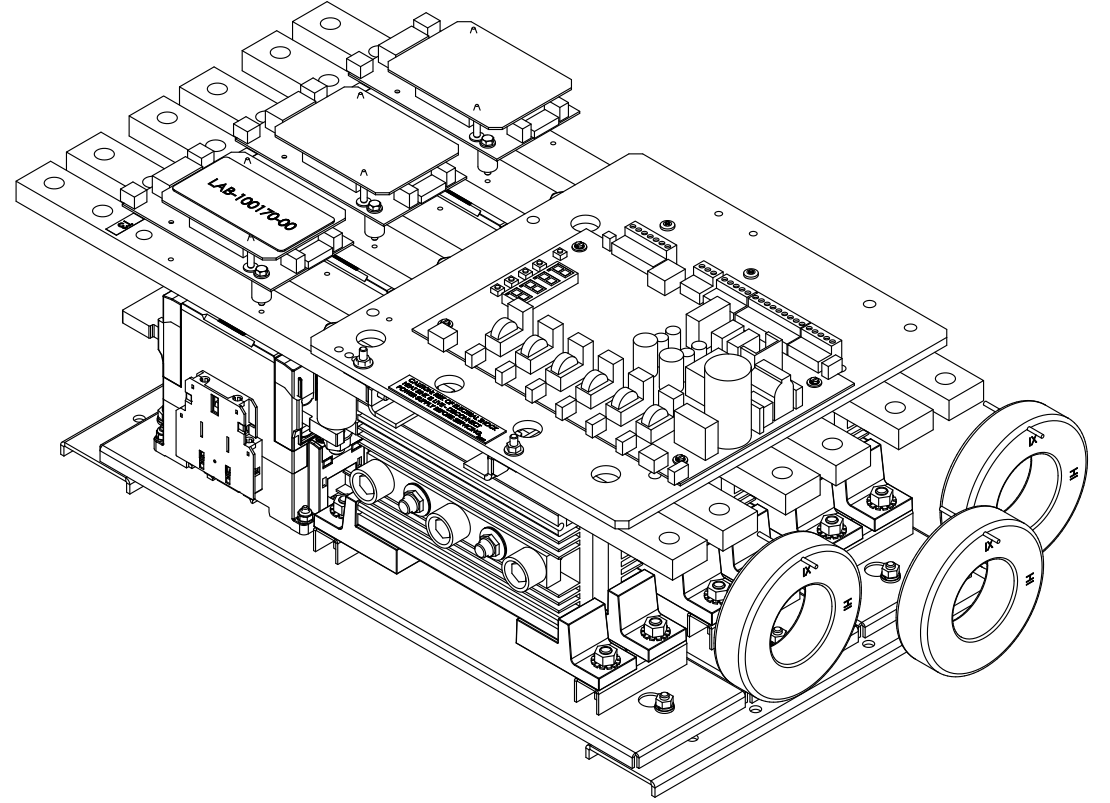
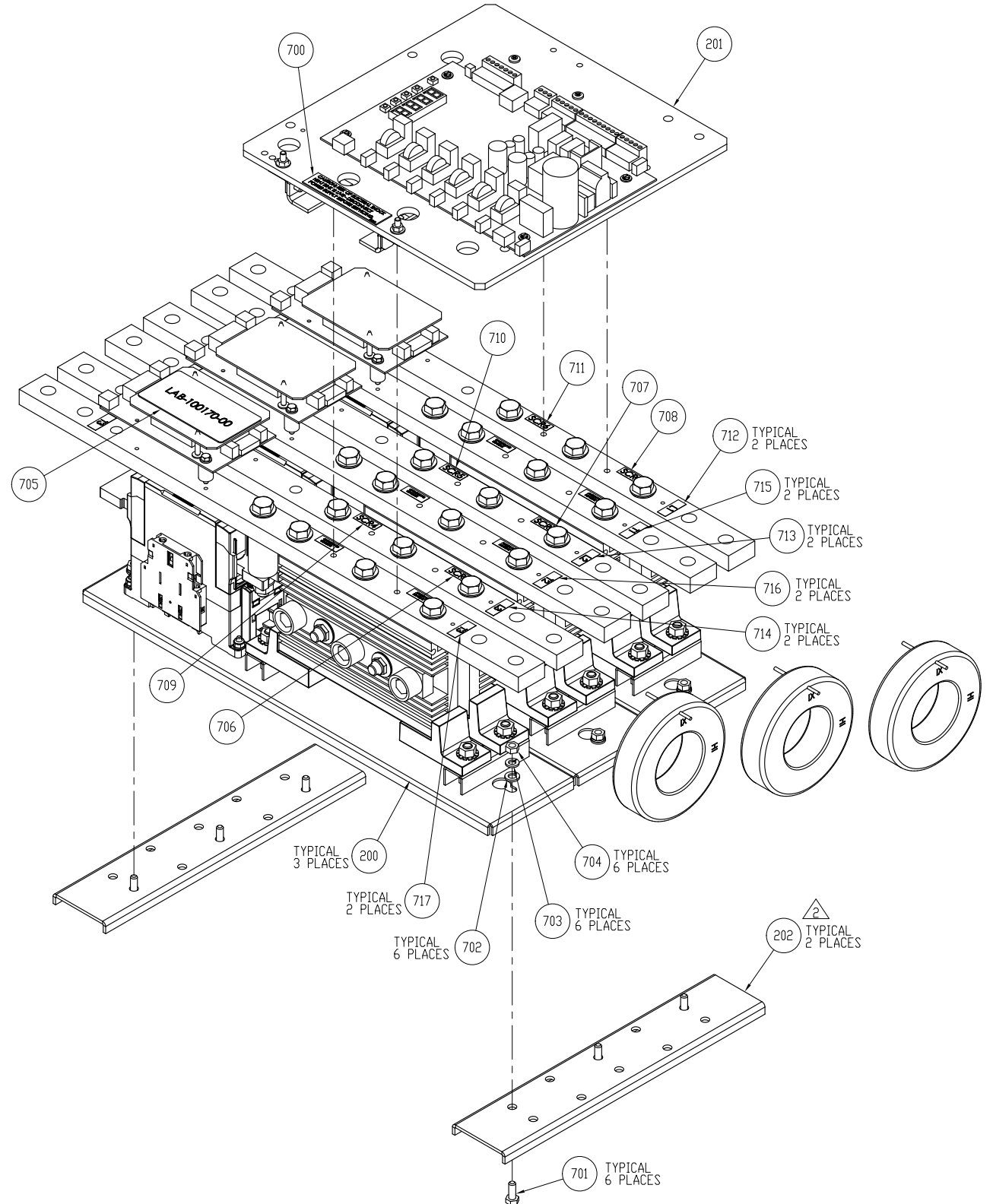


A
B
C
D
E
F
G
H
I
J
K
L
M
N



FULL ASSEMBLY

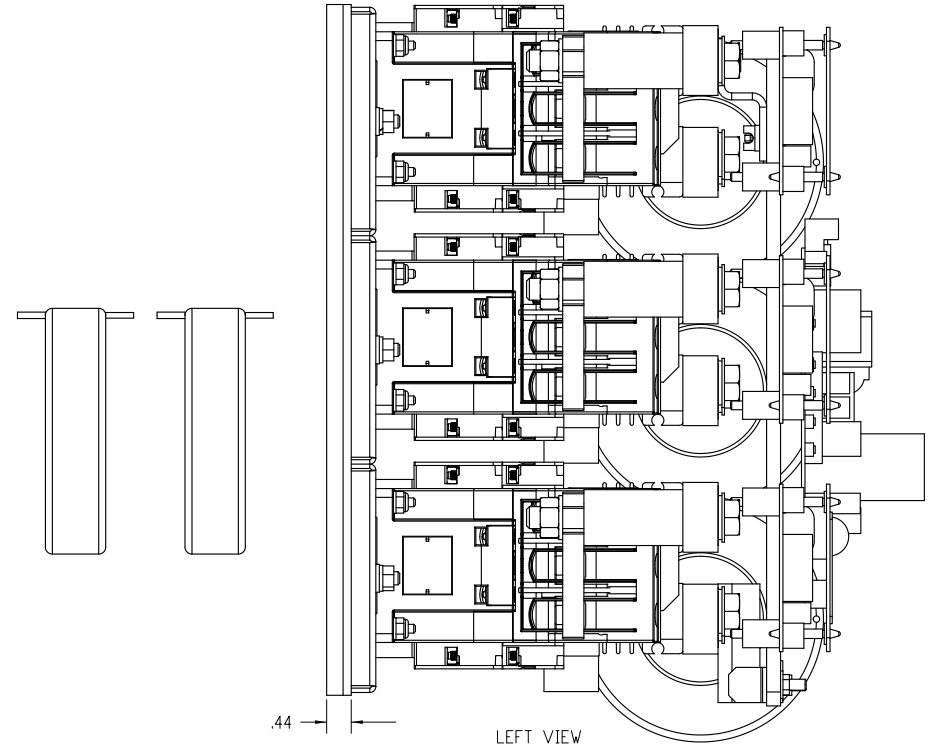
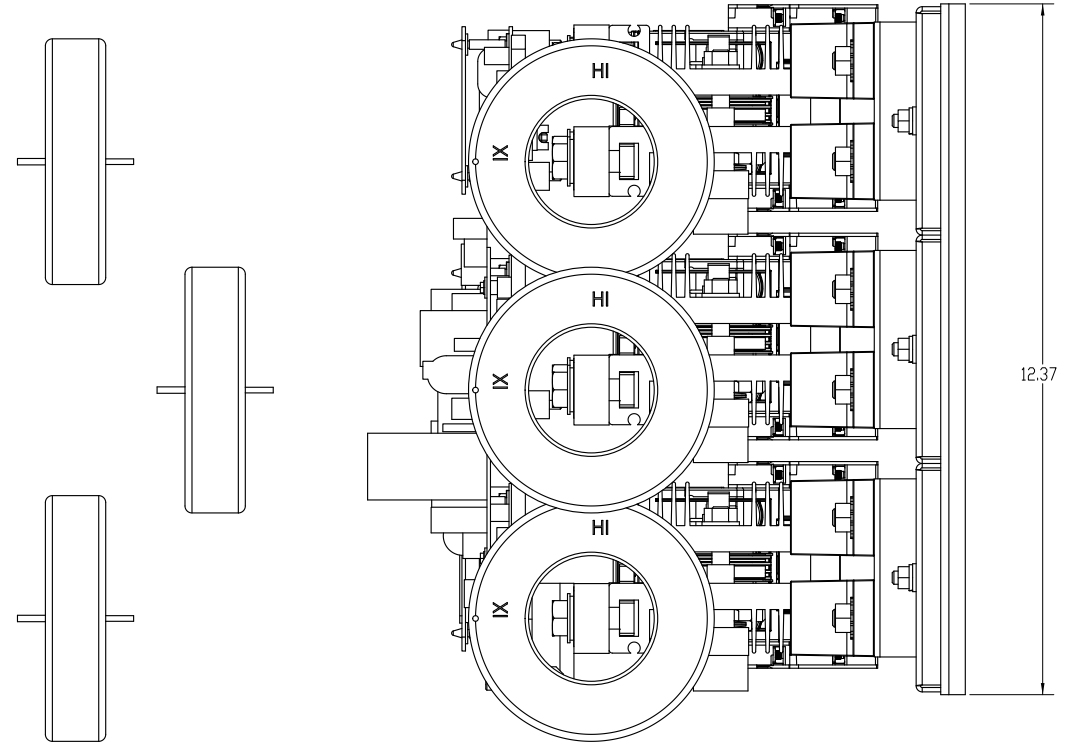
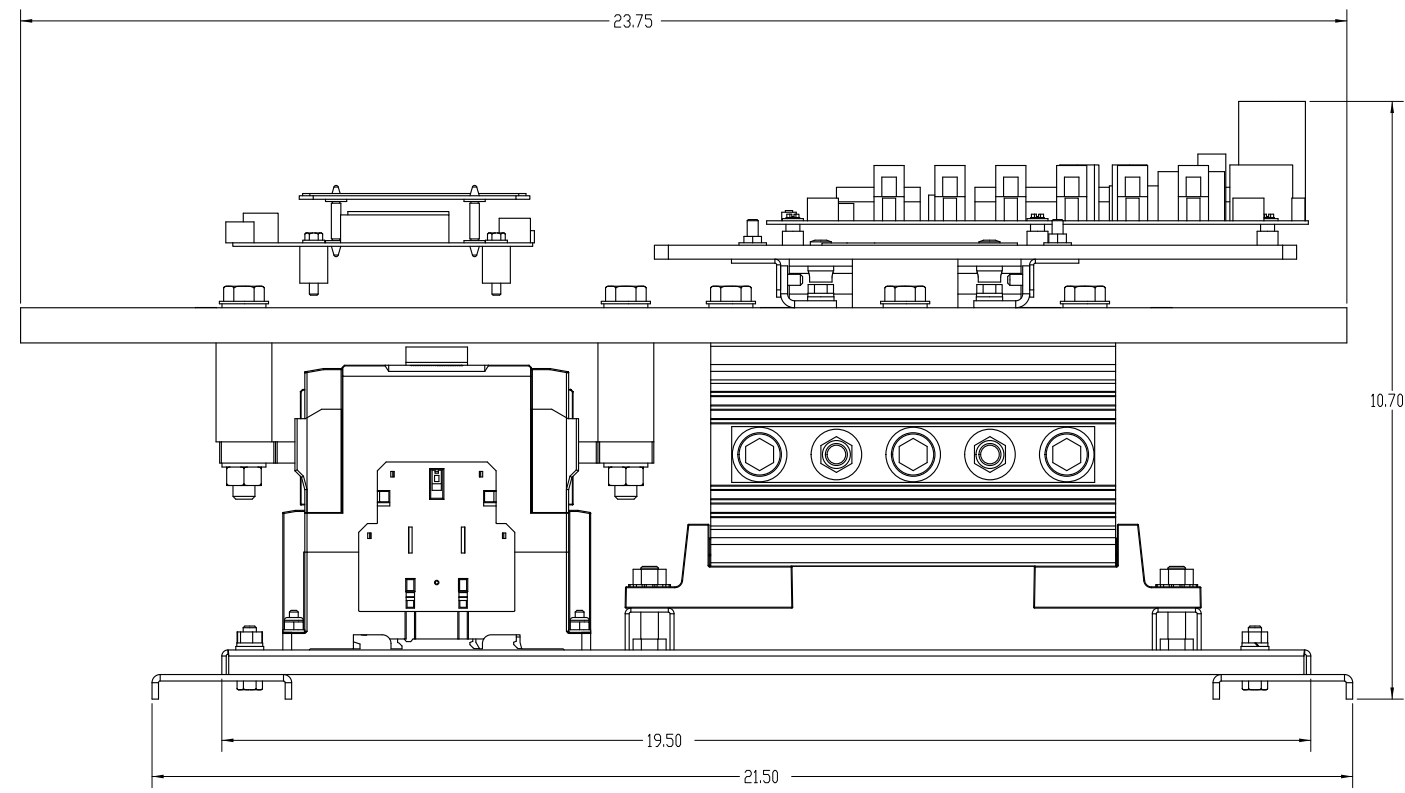
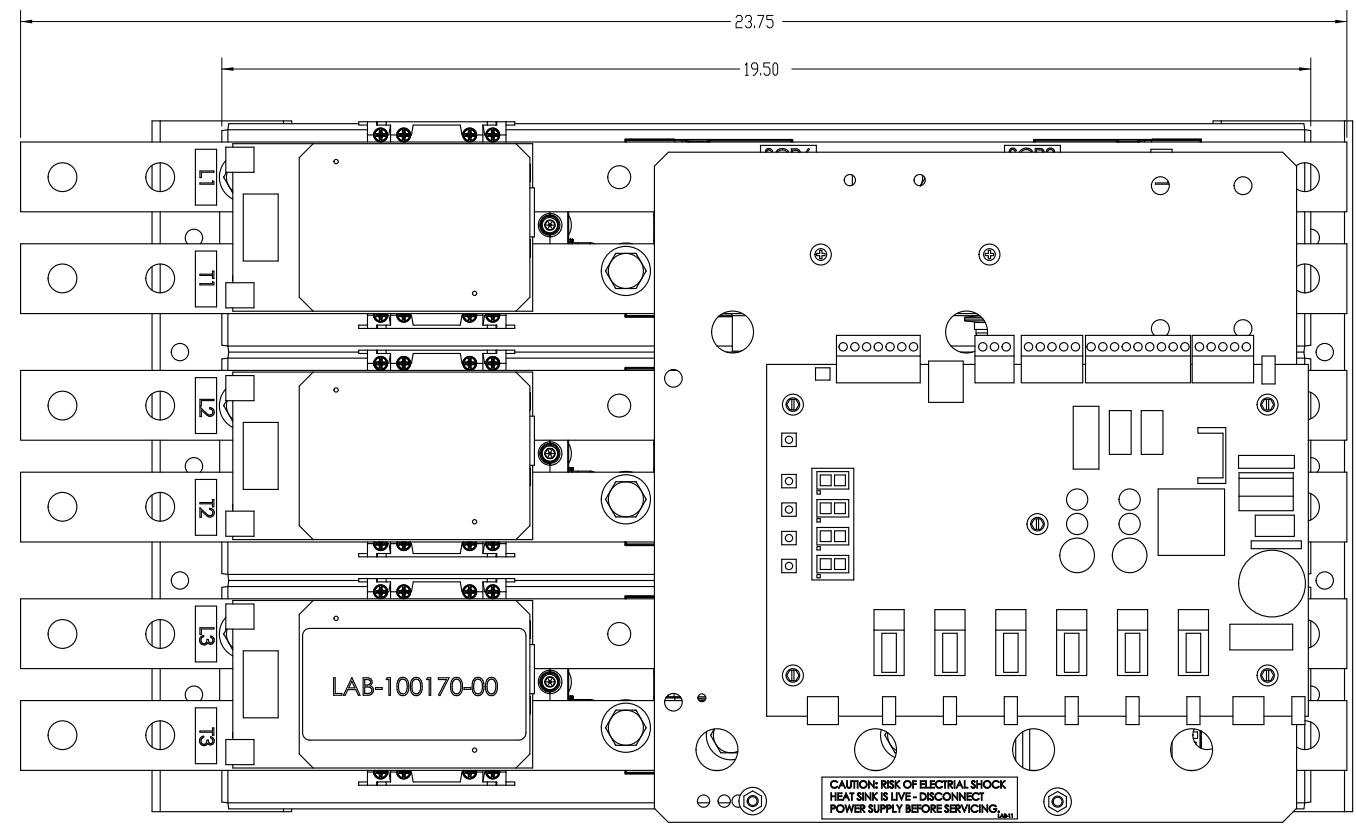
- NOTES:
- TIGHTEN M6-1.00 BDLTs TO 6.77 Nm OR (5 FT LBS).
 - ITEM 202 WILL BE REMOVED FROM THE CHASSIS WHEN THE STARTER IS MOUNTED DIRECTLY TO A SUBPANEL OF A ENCLOSURE. HARDWARE WILL BE DISCARDED.
 - ITEMS 203 THRU 208 ARE NOT SHOWN.

REV: 3 APPR: MCL 10/23/14 CHGR: MCL 10/23/14 DESCRIPTION: REMOVE NEG QTY ITEMS FROM BOM	REV: 1 APPR: MSN 5/3/2012 CHGR: JRP 5/3/2012 DESCRIPTION: ADD RC CONTACTOR IN PLACE OF RSC. PWS UPDATED ON ASSY.	THIRD ANGLE PROJECTION	UNLESS OTHERWISE SPECIFIED ALL DIMENSION IN INCHES INTERPRET DRAWING PER ASME Y14.5M-1994	SIGNATURES DRWN. BER 4/15/2011 CHKD. JAF 4/15/2011 ENG. JAF 4/15/2011 MFG.	DATE 4/15/2011 4/15/2011 4/15/2011	TITLE: RB2-1-S-240A-15C CHASSIS STANDARD DEFAULT 42KA MX2 240A DD/346A ID NORMAL 276A DD/397A ID @115Z 600VAC	605 ALPAC DRIVE PETERSBURG, VA 23109 PHONE 1-800-948-0088 500 BROAD ST. E. LITTLETON, COLORADO 80120	SIZE D	DWG NO. CH-440139-00	REV 3
		THIS DRAWING AND ALL INFORMATION CONTAINS HEREIN IS THE PROPERTY OF BENSHAW INC. AND IS TO BE KEPT IN CONFIDENCE. IT IS TO BE RETURNED TO BENSHAW INC. UPON REQUEST.		TOLERANCES: X ± 1/8 XX ± .03 XXX ± .015	MATERIAL: FINISH					

1 2 3 4 5 6 7 8 9 10 11 12 13 14 15 16 17 18 19 20 21 22 23 24 25 26 27 28

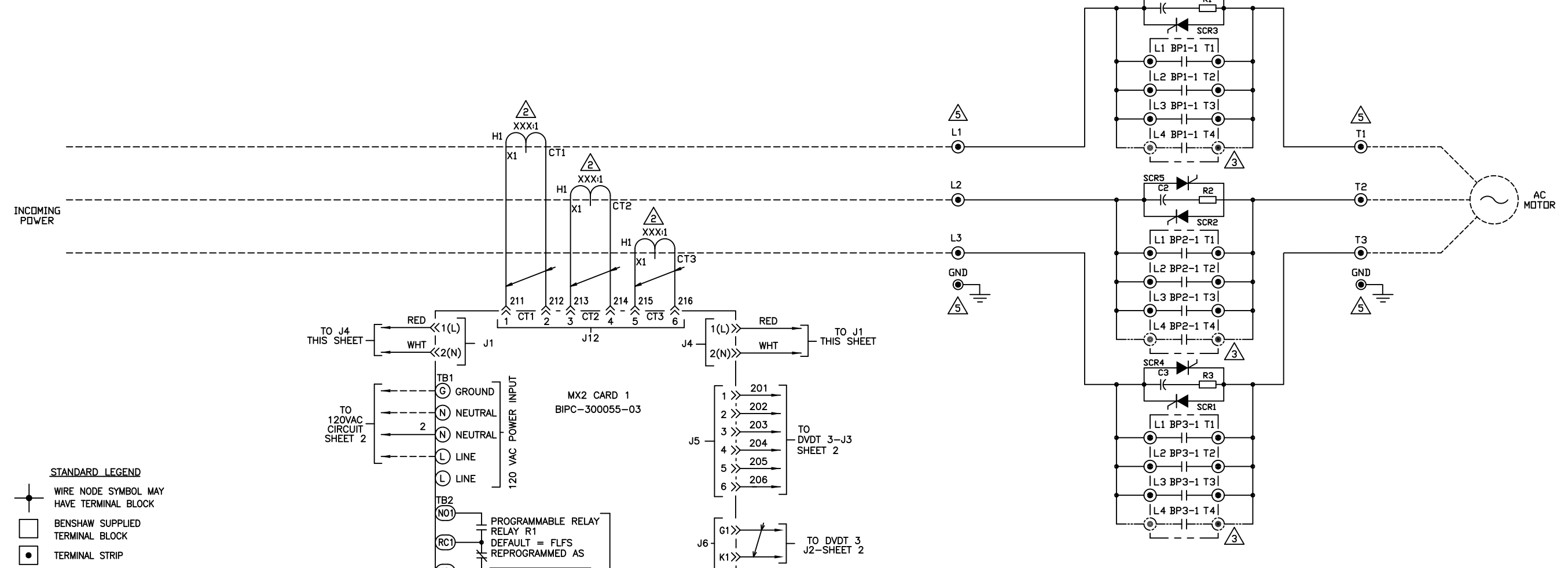
CH-440139-00

A
B
C
D
E
F
G
H
I
J
K
L
M
N



DO NOT SCALE DIM	THIRD ANGLE PROJECTION	UNLESS OTHERWISE SPECIFIED ALL DIMENSION IN INCHES INTERPRET DRAWING PER ASME Y14.5M-1994	SIGNATURES	DATE	TITLE: RB2-1-S-240A-15C CHASSIS STANDARD DEFAULT 42KA MX2 240A DD/346A ID NORMAL 276A DD/397A ID @115Z 600VAC		<small>605 ALPAC DRIVE PITTSBURGH, PA 15206 PHONE 412-940-0000 500 BROAD ST. E. LEWISBURG, OHIO 44641</small>	
	THIS DRAWING AND ALL INFORMATION CONTAINS HEREIN IS THE PROPERTY OF BENSHAW INC. AND IS LOANED TO UNAUTHORIZED PERSONS WITHOUT THE EXPRESS WRITTEN CONSENT OF BENSHAW INC. CONVENIENCE OF THE USER AND SHALL BE RETURNED UPON REQUEST.		TOLERANCES:	DRWN. BER				4/15/2011
			ANGLES ± 1°	CHKD. JAF				4/15/2011
			MATERIAL:	ENG. JAF				4/15/2011
FINISH:	MFG.							
SIZE	DWG NO.	SCALE:	SHEET:	REV				
D	CH-440139-00	3/4:1	2 OF 2	3				

10-661004-HJS
ON DIM



- STANDARD LEGEND**
- WIRE NODE SYMBOL MAY HAVE TERMINAL BLOCK
 - BENSRAW SUPPLIED TERMINAL BLOCK
 - TERMINAL STRIP
 - POWER CONNECTION
 - PC BOARD TERMINALS
 - TWISTED PAIR
 - TWISTED SHIELDED PAIR
 - SHIELDED WIRE
 - FIELD WIRING

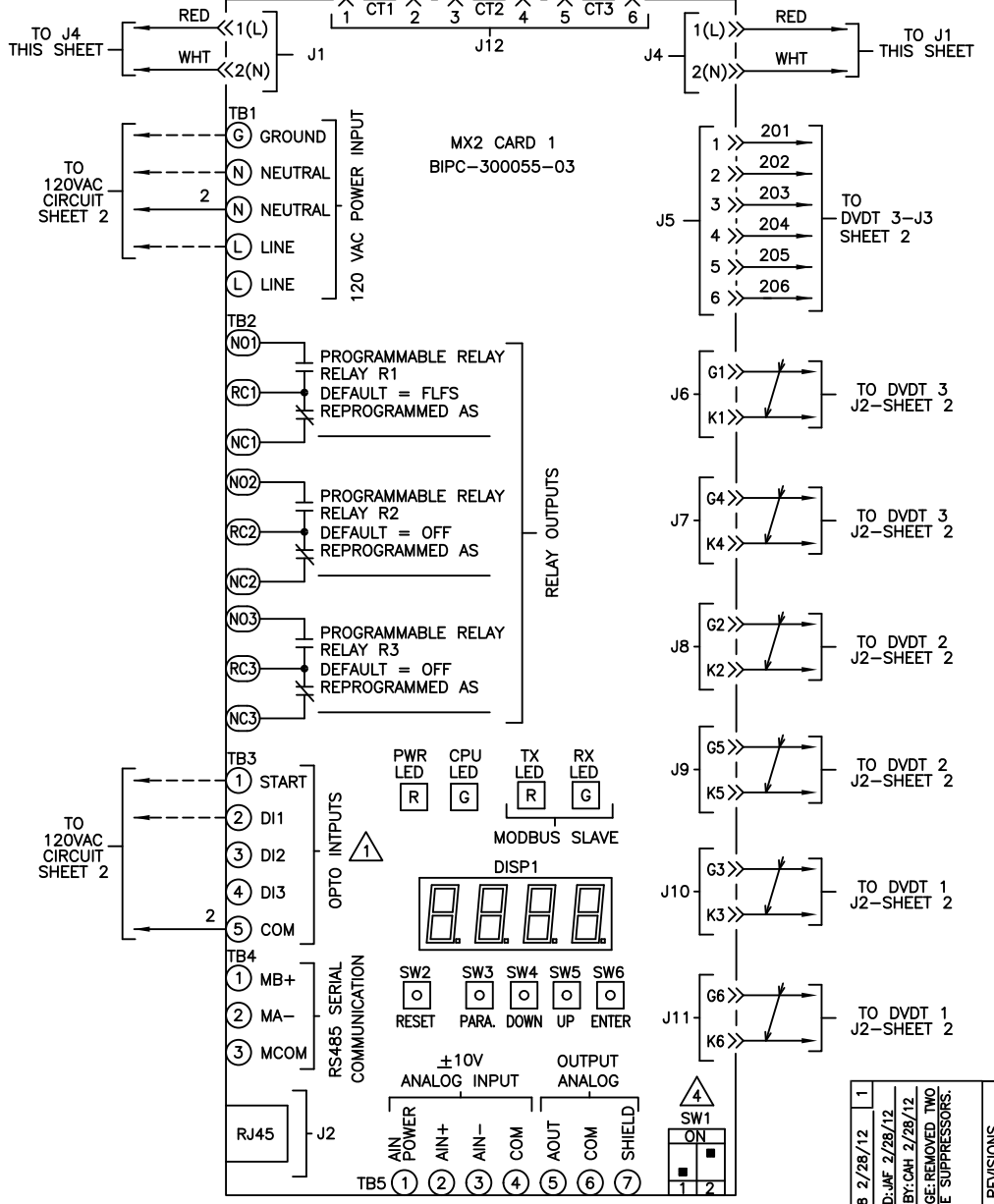


CHART 1

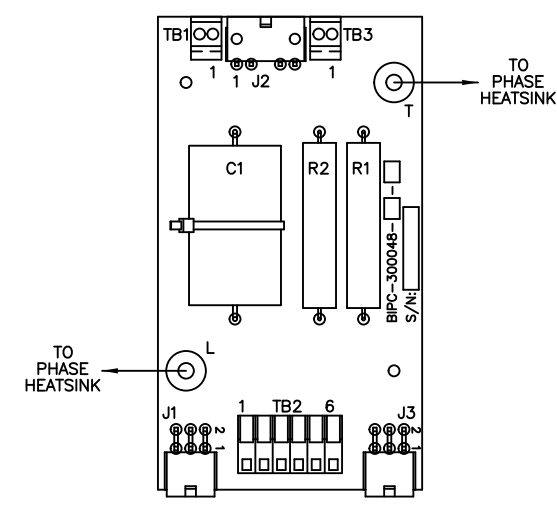
TIGHTENING TORQUE SPECIFICATIONS FOR SOCKET HEAD SCREWS

SOCKET SIZE ACROSS FLATS (INCHES)	TORQUE POUNDS-INCHES
1/4	200
5/16	275
3/8	375
1/2	500

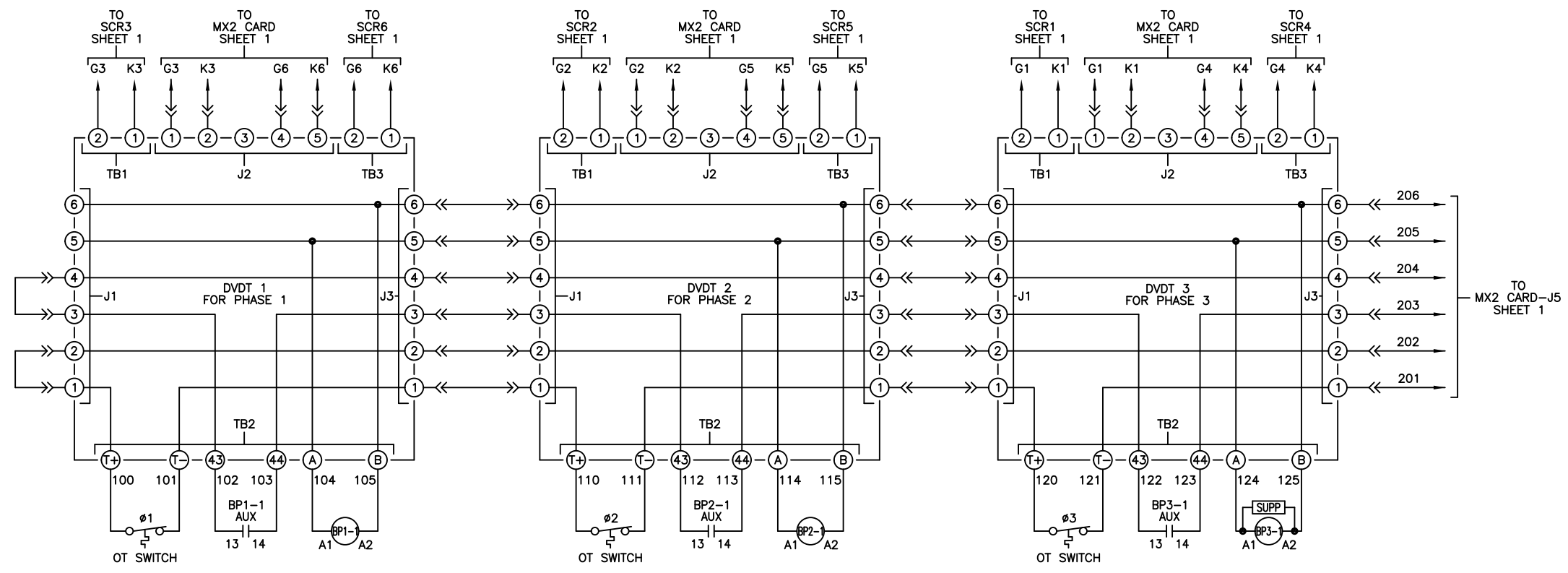
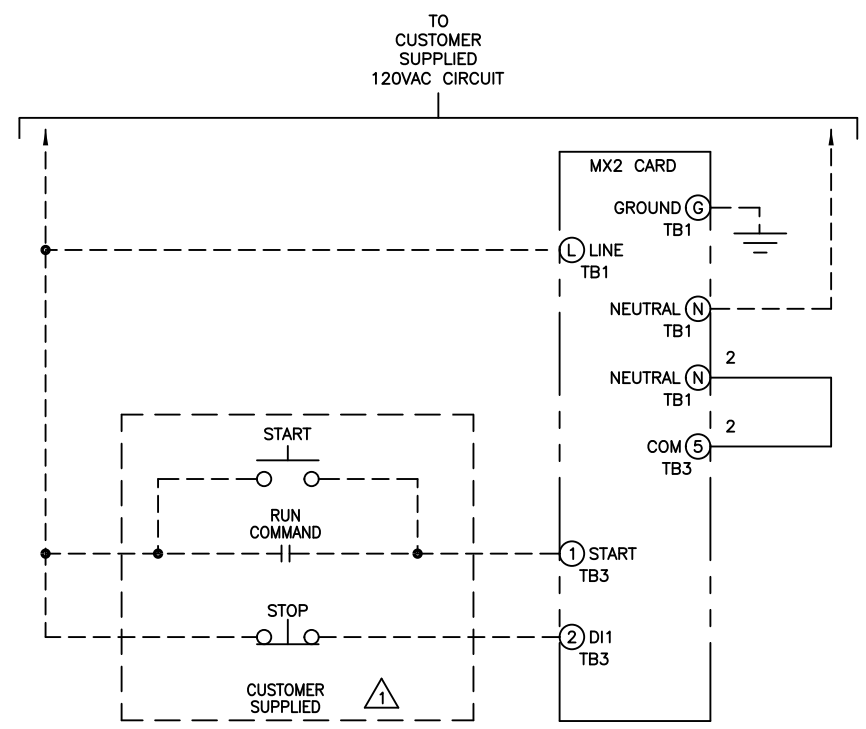
- NOTES:**
- ① SELECT EITHER THREE OR TWO WIRE CONTROL.
 - ② FOR 97-156A UNITS, PROGRAM (P78), FUN (03), CT RATIO = 864:1
FOR 157-361A UNITS, PROGRAM (P78), FUN (03), CT RATIO = 2640:1
 - ③ L4/T4 CONTACTOR POLE IS ONLY ON 361A UNITS
 - ④ SW1-1: (ANALOG INPUT) UP = CURRENT, DOWN = VOLTAGE
SW1-2: (ANALOG OUTPUT) UP = VOLTAGE, DOWN = CURRENT
 - ⑤ TIGHTEN POWER AND GROUND LUG FIELD WIRING CONNECTIONS TO CHART 1 SPECIFICATIONS. IF BREAKER IS SUPPLIED ON LINE SIDE OF STACK USE TORQUE VALUES ON BREAKER.

1 E3488 2/28/12 APPR'D: JAF 2/28/12 CHG BY: CAH 2/28/12 CHANGE REMOVED TWO SURGE SUPPRESSORS.	REVISIONS DO NOT SCALE DWG	THIRD ANGLE PROJECTION THIS DRAWING AND ALL INFORMATION CONTAINED HEREIN, IS THE PROPERTY OF BENSRAW INC., AND MAY NOT BE REPRODUCED, OR DIVULGED TO UNAUTHORIZED PERSONS WITHOUT THE EXPRESS WRITTEN CONSENT OF BENSRAW INC. IT IS PROVIDED SOLELY FOR THE CONVENIENCE OF THE USER AND SHALL BE RETURNED UPON REQUEST.	UNLESS OTHERWISE SPECIFIED ALL DIMENSIONS IN INCHES INTERPRET DRAWING PER ASME Y14.5M-1994 TOLERANCES: .XX ± .03 .XXX ± .015 ANGLES ± 1°	TITLE: MASTER POWER SCHEMATIC RB2, W/MX2 CONTROL FOR: 97-361A CHASSIS	SIGNATURES: JMD 1/2/2008 DATE: 1/2/2008
					ENG: MSN 1/2/2008
					MFG: MSN 1/2/2008
					SIZE: DWG NO.
BENSRAW 815 ALPHA DRIVE PITTSBURGH, PA 15238 550 BRIGHT STREET LISTON, ONTARIO M4W 3W3				SCH-700139-01 REV 1	
SCALE: 1:1 SHEET 1 OF 2					

10-661004-HJS



- STANDARD LEGEND**
- WIRE NODE SYMBOL MAY HAVE TERMINAL BLOCK
 - BENSRAW SUPPLIED TERMINAL BLOCK
 - TERMINAL STRIP
 - POWER CONNECTION
 - PC BOARD TERMINALS
 - TWISTED PAIR
 - TWISTED SHIELDED PAIR
 - SHIELDED WIRE
 - FIELD WIRING



REVISIONS DO NOT SCALE DWG	THIRD ANGLE PROJECTION	UNLESS OTHERWISE SPECIFIED ALL DIMENSIONS IN INCHES INTERPRET DRAWING PER ASME Y14.5M-1994 TOLERANCES: .XX ± .03 .XXX ± .015 ANGLES ± 1° MATERIAL: FINISH:	TITLE: MASTER CONTROL SCHEMATIC RB2, W/MX2 CONTROL FOR: 97-361A CHASSIS	SIGNATURES: _____ DATE: _____	815 ALPHA DRIVE PITTSBURGH, PA 15238 550 BRIGHT STREET LISTONEL, ONTARIO M4W 3W3	
	THIS DRAWING AND ALL INFORMATION CONTAINED HEREIN, IS THE PROPERTY OF BENSRAW INC., AND MAY NOT BE REPRODUCED, OR DIVULGED TO UNAUTHORIZED PERSONS WITHOUT THE EXPRESS WRITTEN CONSENT OF BENSRAW INC. IT IS PROVIDED SOLELY FOR THE CONVENIENCE OF THE USER AND SHALL BE RETURNED UPON REQUEST.			DRAWN: JMD 1/2/2008 CHKD: _____ ENGR: MSN 1/2/2008 MFD: _____ SIZE: D DWG NO. _____		REV 1
	SCALE: 1:1			SHEET 2 OF 2		
	SCH-700139-01			REV 1		