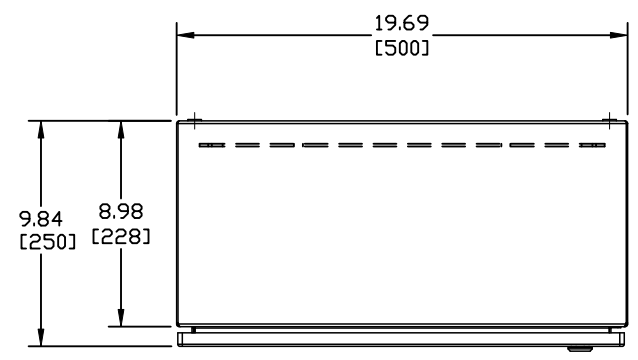


CSXI-0125-2-PP-N3R-CB-PD
ON DWG

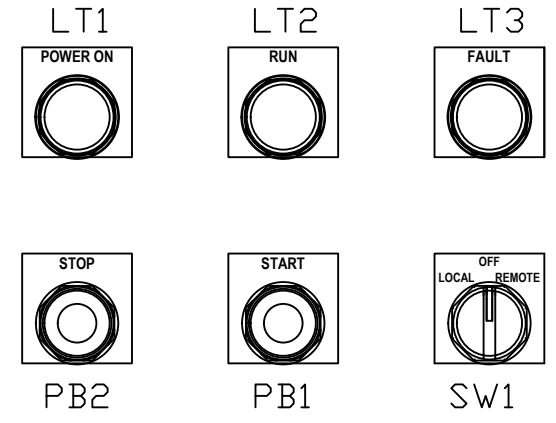
COMPONENT LIST

- CB1 - CIRCUIT BREAKER, 200A, 240V, 3PH, 65KAIC
- CR1 - CONTROL RELAY, 5A, 120V, 4-POLE
- CR2 - CONTROL RELAY, 5A, 120V, 4-POLE
- CSXI - SOFT STARTER, CSXI SERIES, 140A, 380-600V, BYPASSED
- ENCL - ENCLOSURE, WALL MOUNT, TYPE 12/4, 24"H x 20"W x 10"D
- FU1-2 - CONTROL FUSES (PRIMARY SIDE), TIME DELAY, 0.8A, 600V, 200KA CLASS CC
- FU3 - CONTROL FUSES (SECONDARY SIDE), TIME DELAY, 0.8A, 500V, 10KA
- HTR - HEATER, 120V, 50W, RADIATED
- TB1 - CONTROL TERMINAL BLOCKS
- TSTAT - THERMOSTAT, 0-60 DEG C, NCC STYLE
- XF1 - CONTROL TRANSFORMER, 75VA, 480V PRIMARY - 120V SECONDARY
- LT1 - PILOT LIGHT, 22MM, PTT, ILLUMINATED, 120V, RED LED
- LT2 - PILOT LIGHT, 22MM, PTT, ILLUMINATED, 120V, GREEN LED
- LT3 - PILOT LIGHT, 22MM, PTT, ILLUMINATED, 120V, AMBER LED
- PB1 - PUSHBUTTON, 22MM, FLUSH GREEN, W/ N.O. CONTACT
- PB2 - PUSHBUTTON, 22MM, RAISED RED, W/ N.C. CONTACT
- SW1 - SELECTOR SWITCH, 22MM, 3-POSITION, W/ (2)N.O. CONTACTS

A
B
C
D
E
F
G
H
I
J
K
L
M
N



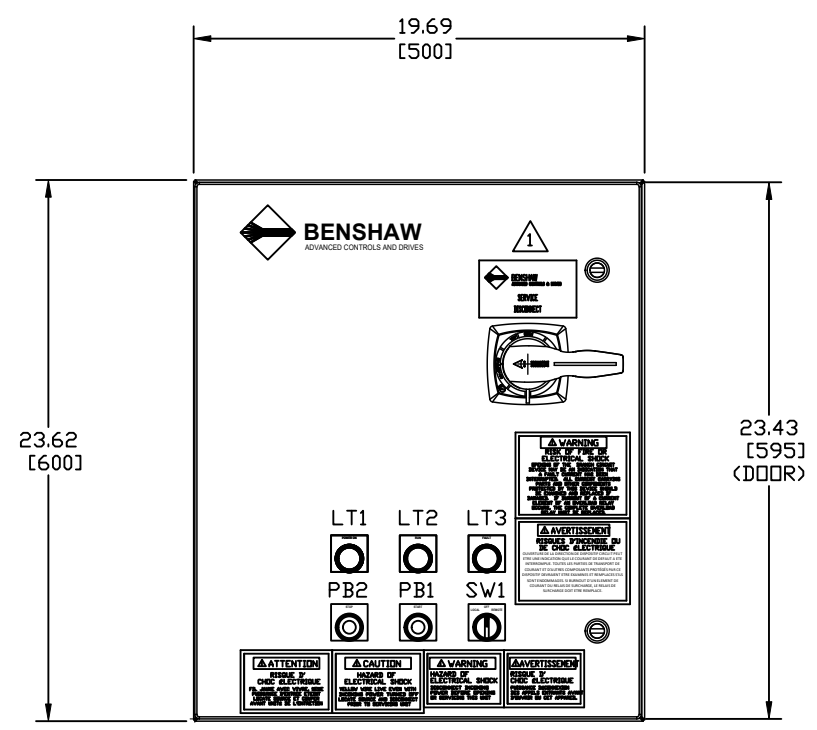
TOP VIEW



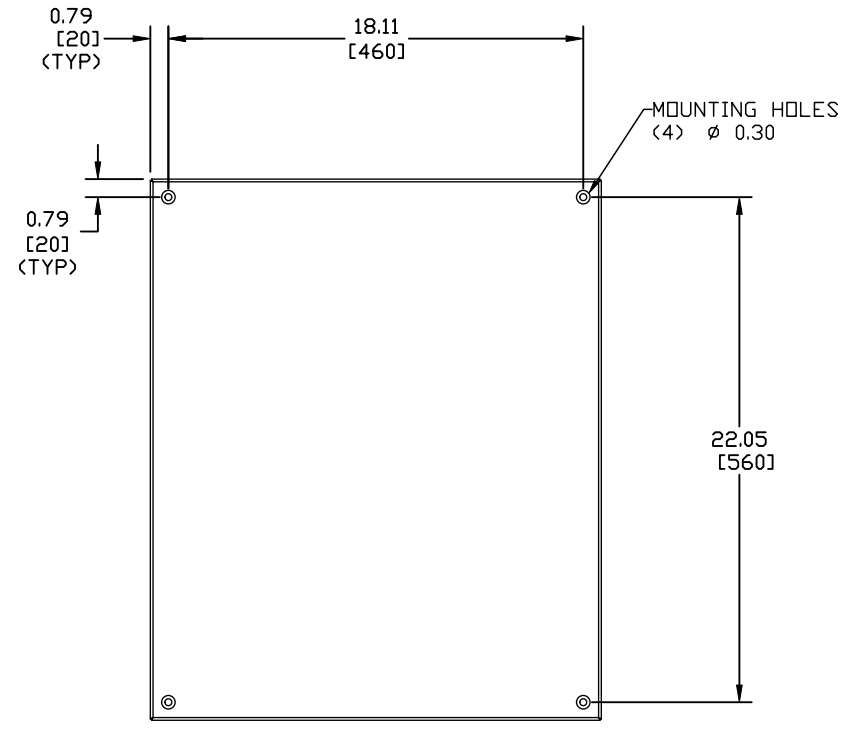
DOOR DEVICES
(SCALE: 3x)

NOTES:

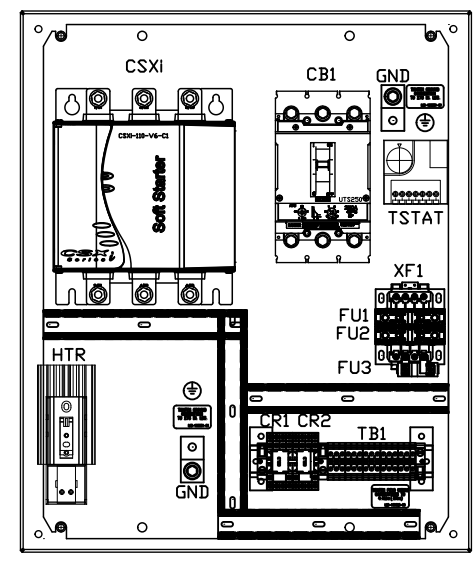
⚠ MOTOR CONTROLLER IS SUITABLE FOR USE AS SERVICE EQUIPMENT. IF MOTOR CONTROLLER IS GOING TO BE USED AS SERVICE EQUIPMENT, INSTALL "SERVICE DISCONNECT" LEGEND AS SHOWN. "SERVICE DISCONNECT" IS SHIPPED LOOSE WITH MOTOR CONTROLLER.



FRONT VIEW



REAR VIEW
(MOUNTING HOLES)



PANEL VIEW

| | | | | | | |
|-------------------------------|-------------------------------|---|--|---|---|--|
| APPROV: CHG BY: CHANGE: | REVISIONS DO NOT SCALE DWG | THIRD ANGLE PROJECTION THIS DRAWING AND ALL INFORMATION CONTAINED HEREIN, IS THE PROPERTY OF BENS SHAW INC. AND MAY NOT BE REPRODUCED, OR DIVULGED TO UNAUTHORIZED PERSONS WITHOUT THE EXPRESS WRITTEN CONSENT OF BENS SHAW INC. IT IS PROVIDED SOLELY FOR THE CONVENIENCE OF THE USER AND SHALL BE RETURNED UPON REQUEST. | UNLESS OTHERWISE SPECIFIED ALL DIMENSIONS IN INCHES INTERPRET DRAWING PER ASME Y14.5M-1994 TOLERANCES: .XX ± .03 .XXX ± .015 ANGLES ± 1° MATERIAL: FINISH: | TITLE: ENCLOSURE LAYOUT CSXI-0125-2-PP-N3R-CB-PD 50HP (130 AMPS) @ 230V (400% CURRENT FOR 6 SECONDS STANDARD DUTY RATED) | SIGNATURES DRWN: SKW 02/24/20 CHKD: MSN 02/28/20 ENG: MSN 03/31/20 MFG: SIZE: D DWG NO.: CSXI-0125-2-PP-N3R-CB-PD SCALE: 1:4 | DATE 02/24/20 02/28/20 03/31/20 REV 0 SHEET 1 OF 2 |
|-------------------------------|-------------------------------|---|--|---|---|--|



CSXI-0125-2-PP-N3R-CB-PD

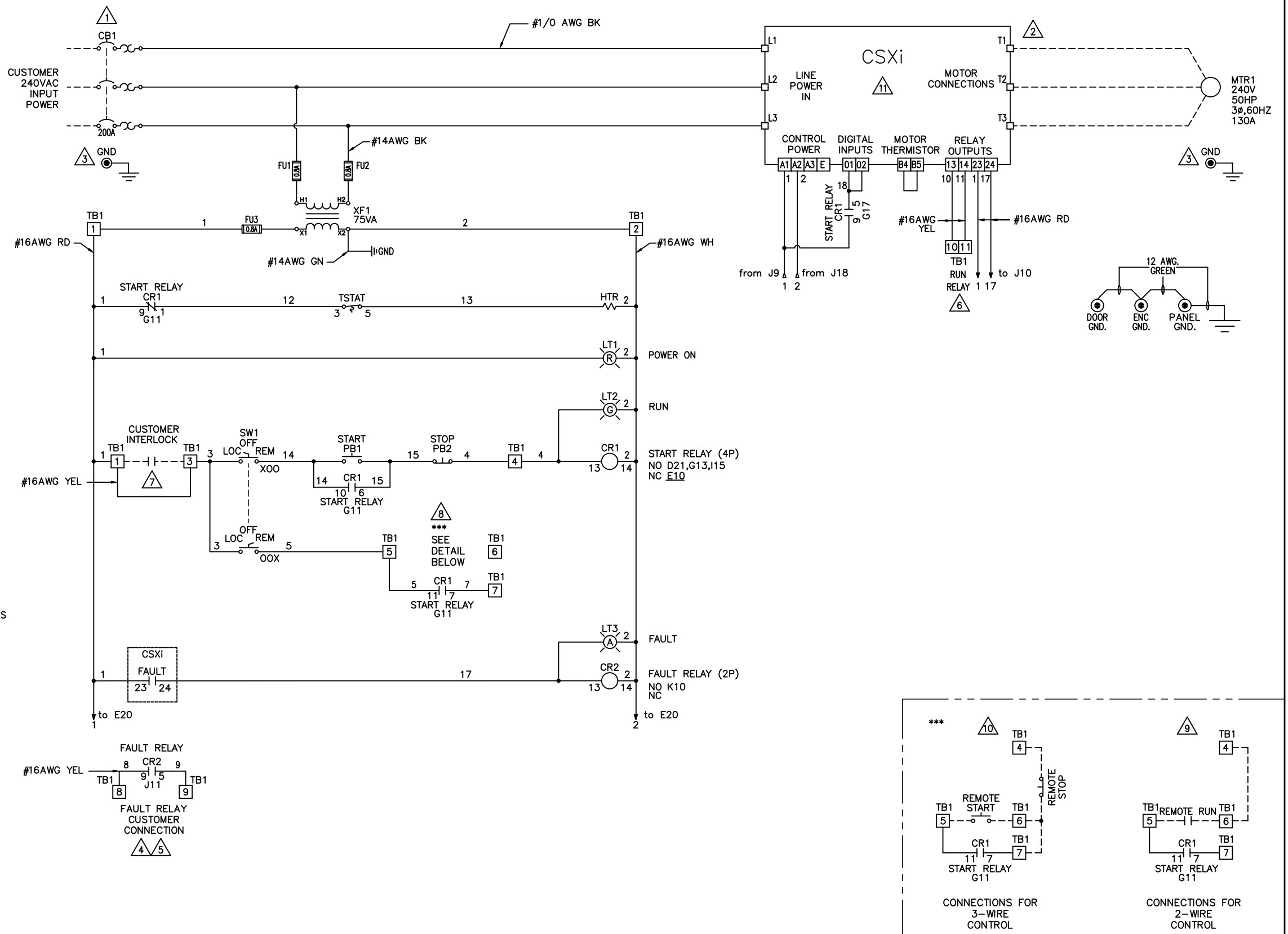
A
B
C
D
E
F
G
H
I
J
K
L
M
N

NOTES

- 1 WIRE SIZE RANGE: (1) 1/0-300kcmil
TIGHTENING TORQUE: 283.2LB-IN (32Nm) FOR 1/0-4/0AWG
TIGHTENING TORQUE: 389.4LB-IN (44Nm) FOR 250-300KCMIL
- 2 WIRE SIZE RANGE: BOLTED CONNECTION BUS TAB 1.34W x 0.12T, 0.33DIA
TIGHTENING TORQUE: GRADE 5 BOLT 1/4 OR (M6) 120LB-IN (22.6NM)
- 3 WIRE SIZE RANGE: (1) 6-250KCMIL
TIGHTENING TORQUE: 275LB-IN (31NM)
- 4 CUSTOMER SHOULD MONITOR FAULT CONTACTS OF RELAY (CR2) FOR FAULT DETECTION, AND REMOVE 2 WIRE RUN COMMAND WHEN A FAULT IS DETECTED.
- 5 CONTACT RATINGS:
240VAC 5A RESISTIVE 1.2A INDUCTIVE
30VDC 5A RESISTIVE 2A INDUCTIVE
- 6 CONTACT RATINGS:
250VAC 6A RESISTIVE
30VDC 6A RESISTIVE
- 7 REMOVE JUMPER WHEN INTERLOCKS ARE INSTALLED.
- 8 SELECT EITHER TWO OR THREE WIRE CONTROL.
- 9 STARTER SHIPPED SETUP FOR CUSTOMER SUPPLIED REMOTE 2 WIRE CONTROL.
- 10 IF CUSTOMER SUPPLIED REMOTE 3 WIRE CONTROL IS NEEDED MAKE CUSTOMER CONNECTIONS AS SHOWN.
- 11 REFER TO USER GUIDE FOR STARTER ADJUSTMENTS AND RESET IF TRIP OCCURS

STANDARD LEGEND

- WIRE NODE SYMBOL MAY HAVE TERMINAL BLOCK
- BENSHAW SUPPLIED TERMINAL BLOCK
- TERMINAL STRIP
- POWER CONNECTION
- PC BOARD TERMINALS
- TWISTED PAIR
- TWISTED SHIELDED PAIR
- SHIELDED WIRE
- FIELD WIRING



| | | | | | | | |
|-------------------------------|-------------------------------|---|---|---|---|---|--|
| APPROV: CHG BY: CHANGE: | REVISIONS DO NOT SCALE DWG | THIRD ANGLE PROJECTION | ALL DIMENSIONS IN INCHES INTERPRET DRAWING PER ASME Y14.5M-1994 | UNLESS OTHERWISE SPECIFIED TOLERANCES: .XX ± .03 .XXX ± .015 ANGLES ± 1° | TITLE: SCHEMATIC CSXI-0125-2-PP-N3R-CB-PD 50HP (130 AMPS) @ 230V (400% CURRENT FOR 6 SECONDS STANDARD DUTY RATED) | SIGNATURES DRWN: SKW 02/24/20 CHKD: MSN 02/28/20 ENG: MSN 03/31/20 MFR: | DATE 02/24/20 02/28/20 03/31/20 |
| | | THIS DRAWING AND ALL INFORMATION CONTAINED HEREIN, IS THE PROPERTY OF BENSHAW INC. AND MAY NOT BE REPRODUCED, OR DIVULGED TO UNAUTHORIZED PERSONS WITHOUT THE EXPRESS WRITTEN CONSENT OF BENSHAW INC. IT IS PROVIDED SOLELY FOR THE CONVENIENCE OF THE USER AND SHALL BE RETURNED UPON REQUEST. | MATERIAL: FINISH: | | | BENS ^{HAW} | 615 ALPHA DRIVE PITTSBURGH, PA 15238 550 BRIGHT STREET LISTOWEL, ONTARIO M4W 3W3 |
| SCALE: 1:4 | | | | | | SHEET 2 OF 2 | |