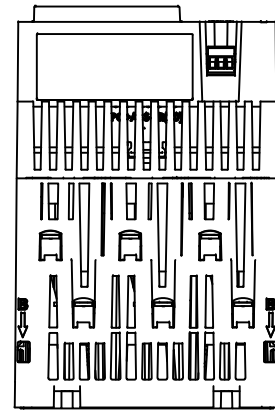
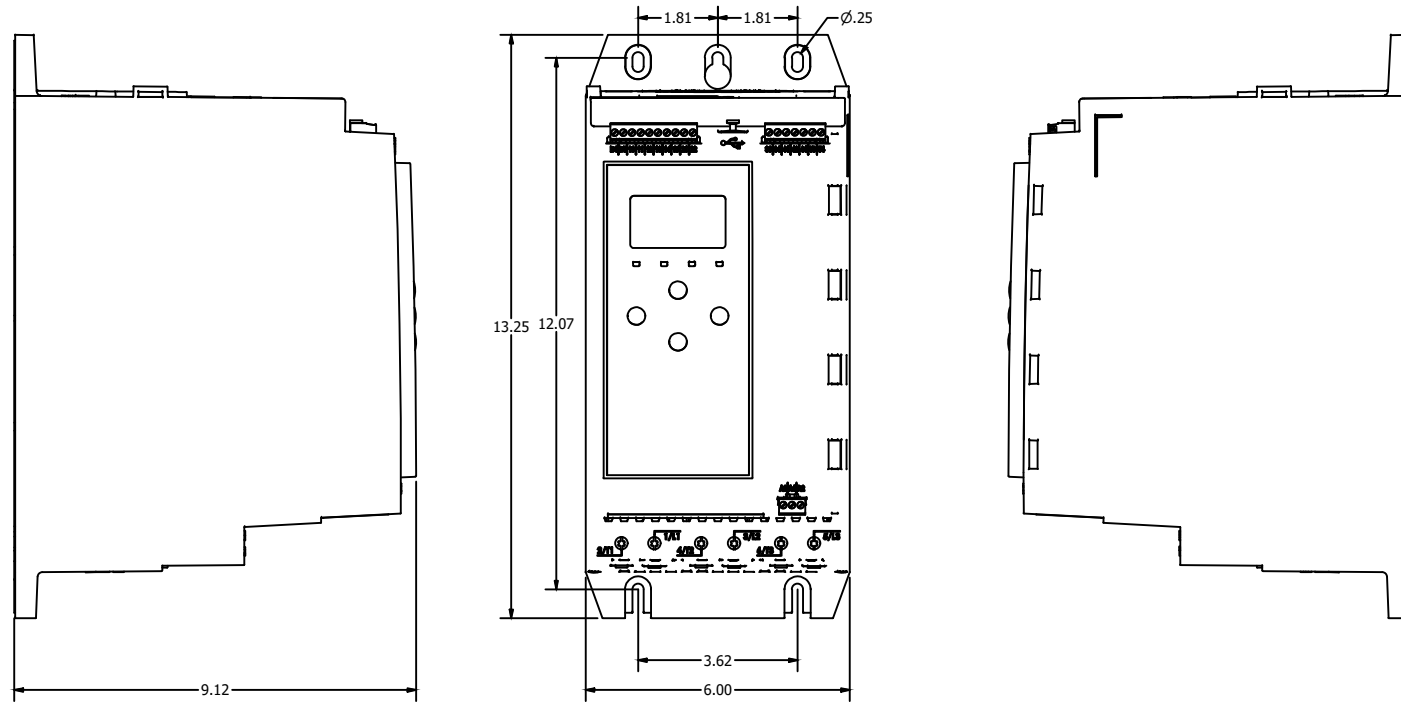
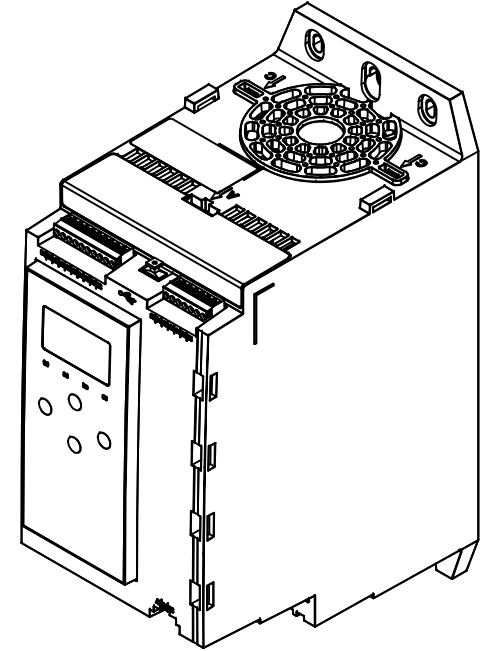
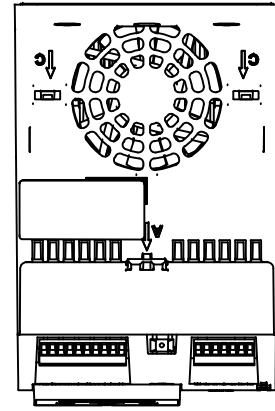


1 2 3 4 5 6 7 8 9 10 11 12 13 14 15 16 17 18 19 20 21 22 23 24 25 26 27 28

EMX4E/I-0024B THRU 0135B
DRG NO.

A
B
C
D
E
F
G
H
I
J
K
L
M
N



REVISIONS DO NOT SCALE DWG	THIRD ANGLE PROJECTION	UNLESS OTHERWISE SPECIFIED ALL DIMENSIONS IN INCHES INTERPRET DRAWING PER ASME Y14.5M-1994	TITLE: STARTER DIMENSIONS	SIGNATURES DRWN. _____ CHGD. _____ ENG. _____ MFG. _____	DATE _____	BENSHAW 815 ALPHA DRIVE PITTSBURGH, PA. 15238 550 BRIGHT STREET LISTOWEL, ONTARIO M4W 3W3	REV 0
	THIS DRAWING AND ALL INFORMATION CONTAINED HEREIN IS THE PROPERTY OF BENSHAW INC. AND MAY NOT BE REPRODUCED, OR DIVULGED TO UNAUTHORIZED PERSONS WITHOUT THE EXPRESS WRITTEN CONSENT OF BENSHAW INC. IT IS PROVIDED SOLELY FOR THE CONVENIENCE OF THE USER AND SHALL BE RETURNED UPON REQUEST.	TOLERANCES: .XX ± .03 .XXX ± .015 ANGLES ± 1°	MATERIAL: FINISH:	SIZE D	DWG NO. EMX4E/I-0024B THRU 0135B		
	SCALE: 1:2			SHEET OF			
	FINISH:			SHEET OF			