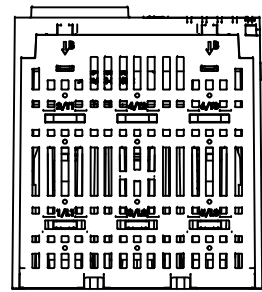
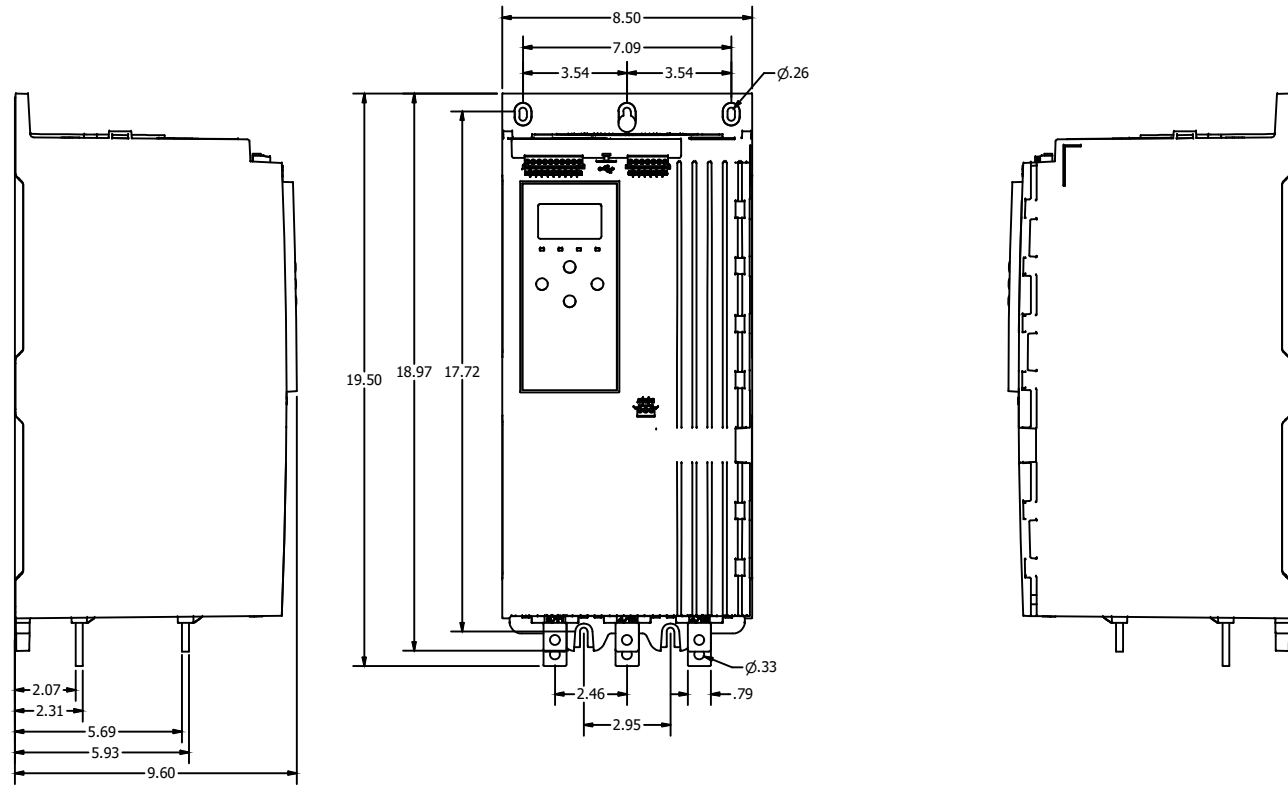
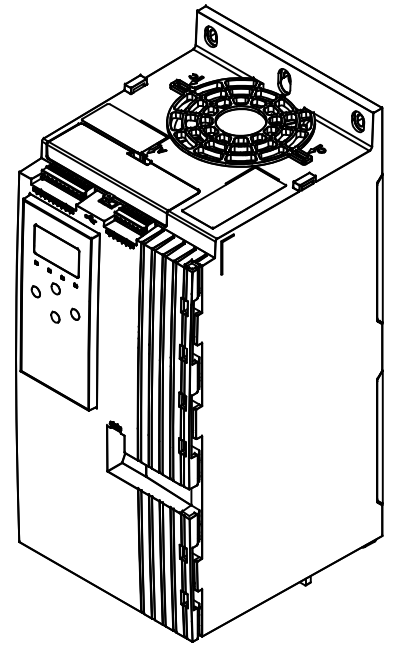
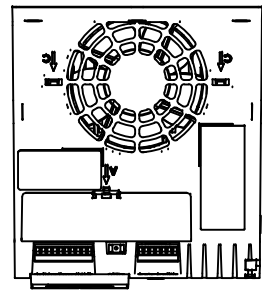


1 2 3 4 5 6 7 8 9 10 11 12 13 14 15 16 17 18 19 20 21 22 23 24 25 26 27 28

EMX4E/I-0184B THRU 0250B  
DWG NO.

A  
B  
C  
D  
E  
F  
G  
H  
I  
J  
K  
L  
M  
N



REVISIONS DO NOT SCALE DWG	THIRD ANGLE PROJECTION	UNLESS OTHERWISE SPECIFIED	TITLE:	SIGNATURES	DATE	<b>BENSHAW</b> <small>815 ALPHA DRIVE PITTSBURGH, PA. 15238 550 BRIGHT STREET LITTONEL, ONTARIO M4W 3W3</small>
		ALL DIMENSIONS IN INCHES INTERPRET DRAWING PER ASME Y14.5M-1994	STARTER DIMENSIONS	DRWN.		
	THIS DRAWING AND ALL INFORMATION CONTAINED HEREIN IS THE PROPERTY OF BENSHAW INC. AND MAY NOT BE REPRODUCED, OR DIVULGED TO UNAUTHORIZED PERSONS WITHOUT THE EXPRESS WRITTEN CONSENT OF BENSHAW INC. IT IS PROVIDED SOLELY FOR THE CONVENIENCE OF THE USER AND SHALL BE RETURNED UPON REQUEST.	TOLERANCES: .XX ± .03 .XXX ± .015 ANGLES ± 1°	MATERIAL:	ENG.		
		FINISH:		MFG.		
			SIZE	DWG NO.	REV	
			D	EMX4E/I-0184B THRU 0250B	0	
			SCALE: 1:3	SHEET 1 OF 1		