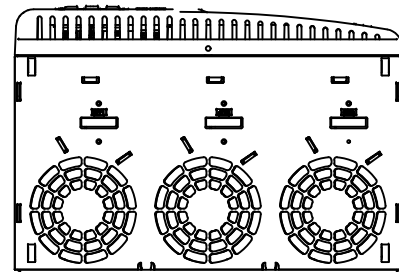
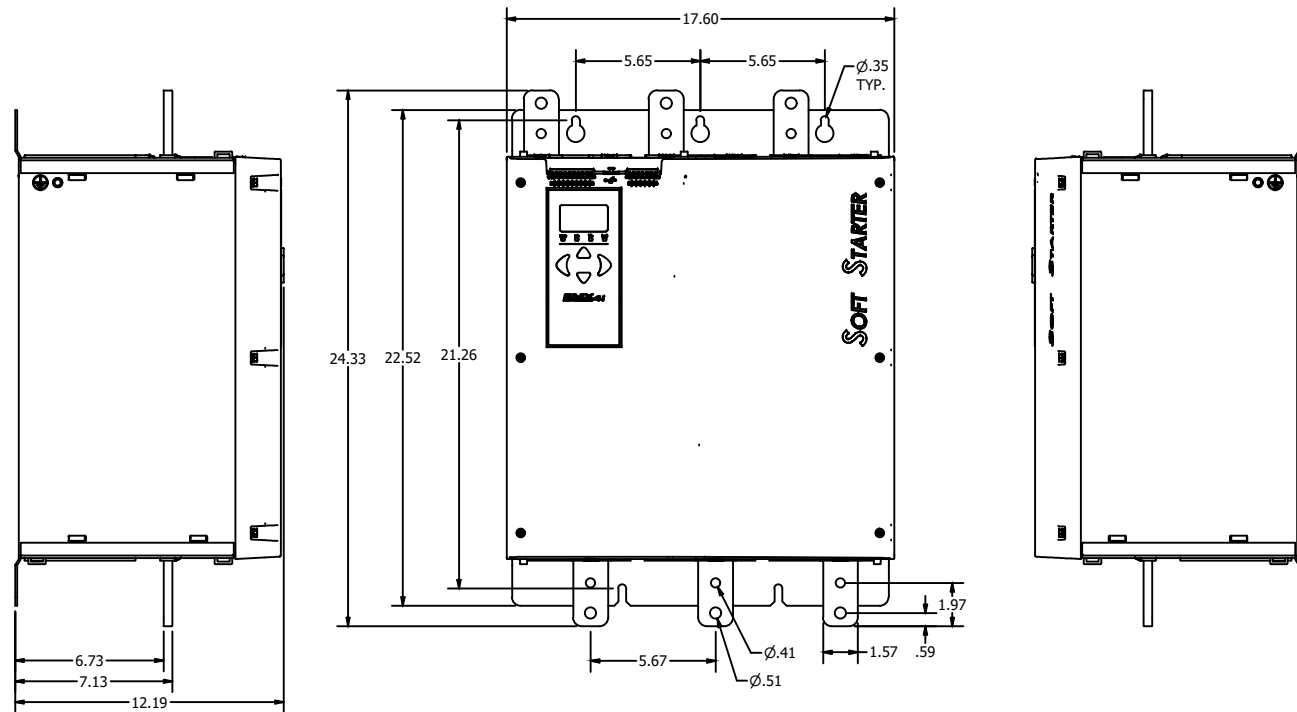
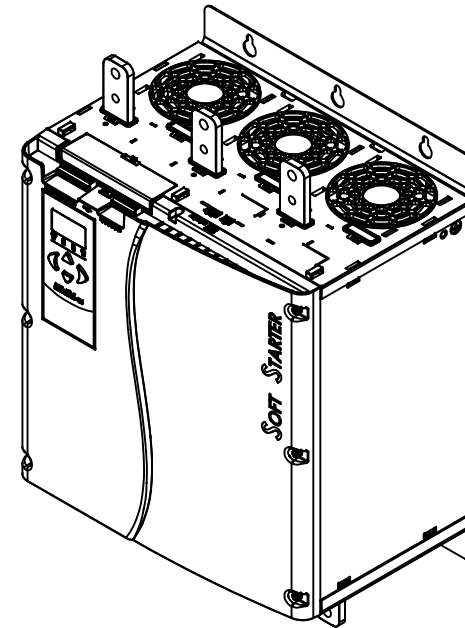
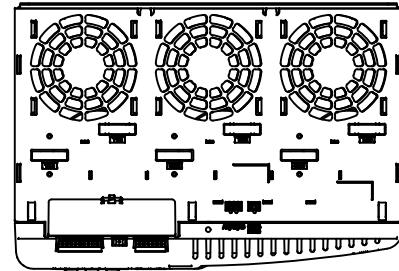


1 2 3 4 5 6 7 8 9 10 11 12 13 14 15 16 17 18 19 20 21 22 23 24 25 26 27 28

EMX41-0835B THUR 1250B

A  
B  
C  
D  
E  
F  
G  
H  
I  
J  
K  
L  
M  
N



REVISIONS DO NOT SCALE DWG	THIRD ANGLE PROJECTION	UNLESS OTHERWISE SPECIFIED ALL DIMENSIONS IN INCHES INTERPRET DRAWING PER ASME Y14.5M-1994 TOLERANCES: .XX ± .03 .XXX ± .015 ANGLES ± 1° MATERIAL: FINISH:	TITLE: STARTER DIMENSIONS	SIGNATURES	DATE	 815 ALPHA DRIVE PITTSBURGH, PA. 15238 550 BRIGHT STREET LITTONEL, ONTARIO M4W 3W3
	THIS DRAWING AND ALL INFORMATION CONTAINED HEREIN IS THE PROPERTY OF BENSHAW INC. AND MAY NOT BE REPRODUCED, OR DIVULGED TO UNAUTHORIZED PERSONS WITHOUT THE EXPRESS WRITTEN CONSENT OF BENSHAW INC. IT IS PROVIDED SOLELY FOR THE CONVENIENCE OF THE USER AND SHALL BE RETURNED UPON REQUEST.		SCALE: 1:4	REV 0		
	SIZE D		DWG NO. EMX41-0835B THUR 1250B	SHEET 1 OF 1		