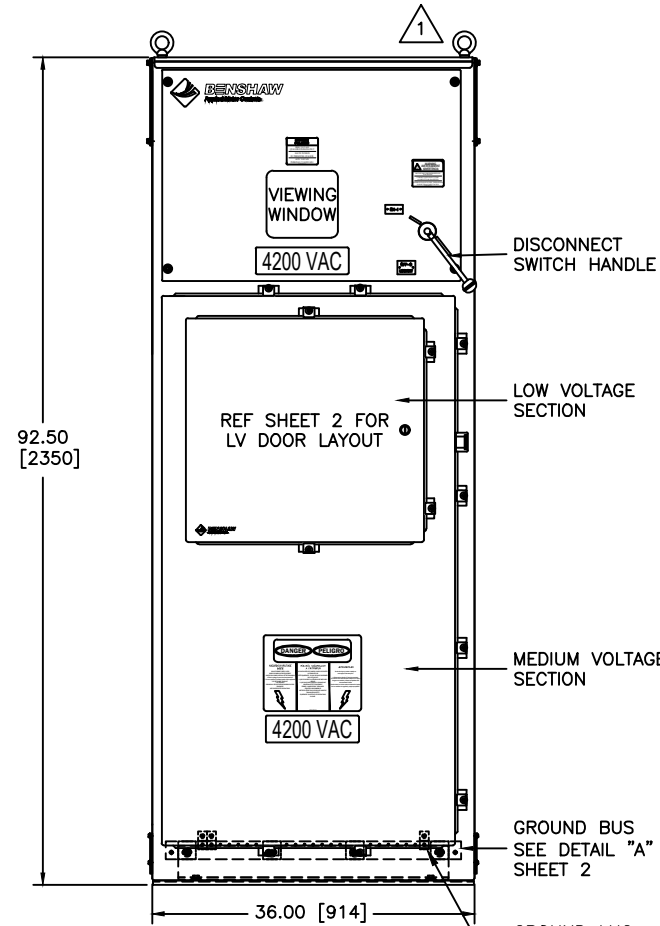
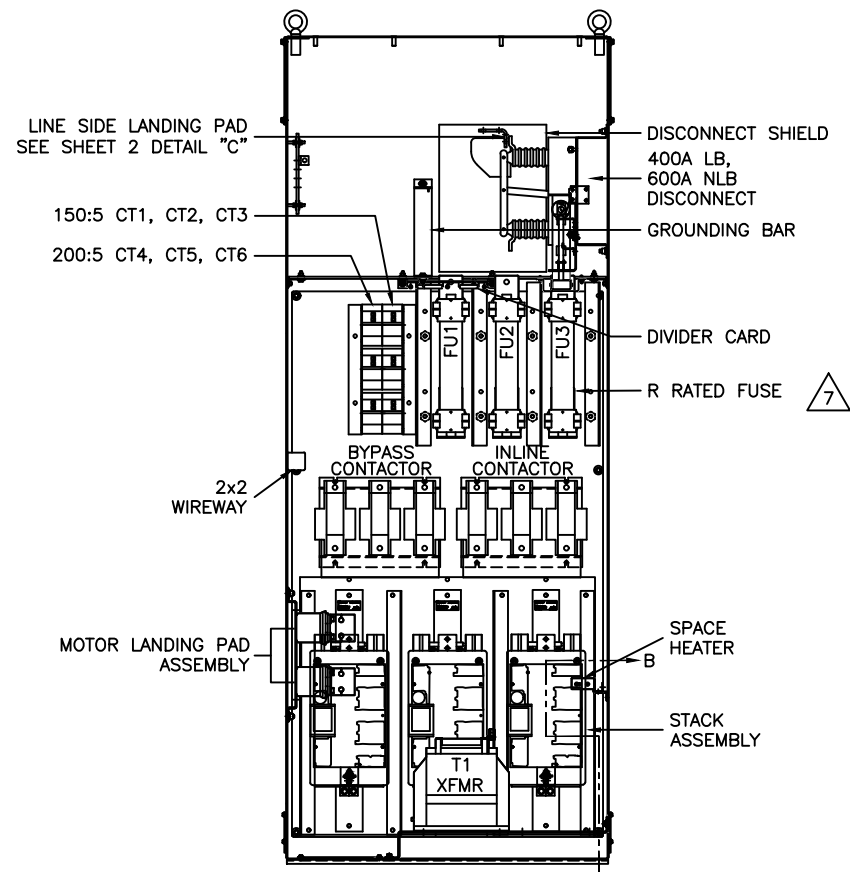


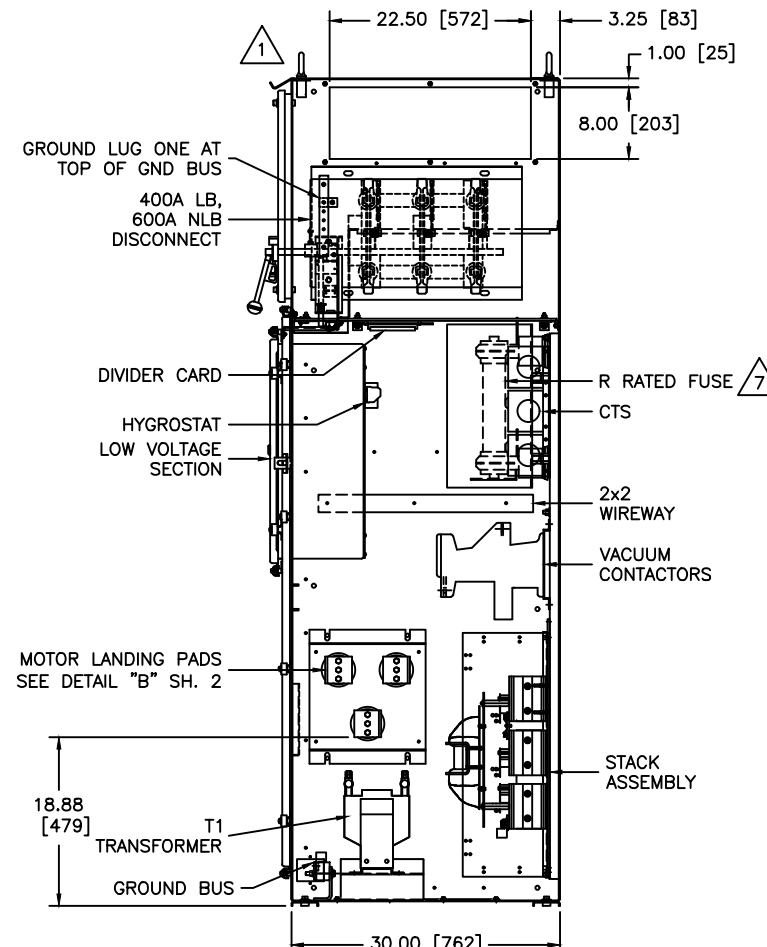
TOP VIEW



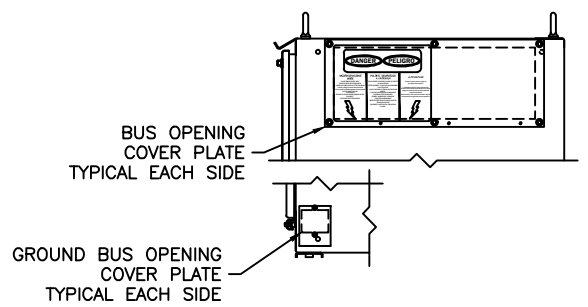
FRONT VIEW



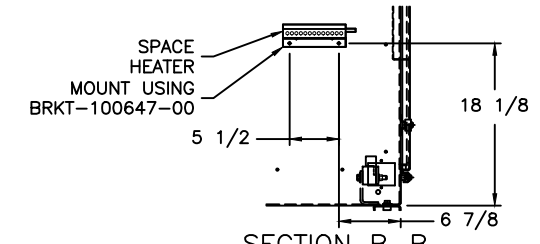
FRONT INTERIOR VIEW



RIGHT SIDE INTERIOR VIEW

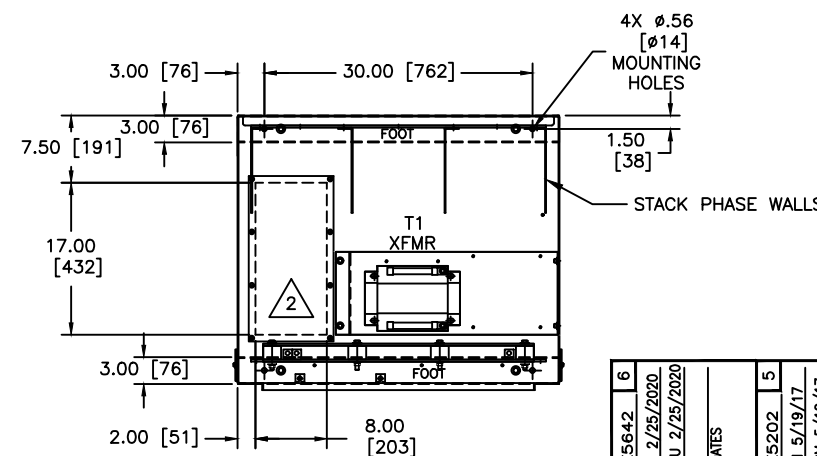


SECTION B-B




NOTES:

- 1 REMOVABLE LIFTING EYEBOLTS
 - 2 CABLE ENTRY/EXIT AREA. CUTOUT W/ COVER PLATE SUPPLIED
 - 3 CABLE ENTRY/EXIT AREA. NO CUTOUT SUPPLIED. CUSTOMER TO CUT AS REQUIRED.
 - 4 ENCLOSURE COLOR: ANSI 61 GREY
 - 5. TIGHTEN BOLTS PER CHART BELOW
- | STEEL BOLT TORQUE IN POUND-FOOT [NEWTON-METER] | | | | |
|--|-----------|---------|-----------|------------|
| 1/4-20 | 5/16-18 | 3/8-16 | 1/2-13 | 5/8-11 |
| 5 [6.8] | 12 [16.3] | 20 [27] | 50 [67.8] | 95 [128.8] |
- 6. APPROXIMATE WEIGHT IS 1600LBS [726KG]
 - 7 R-FUSES SHOWN FOR REFERENCE. REFERENCE SALES ORDER FOR FUSE SIZE.



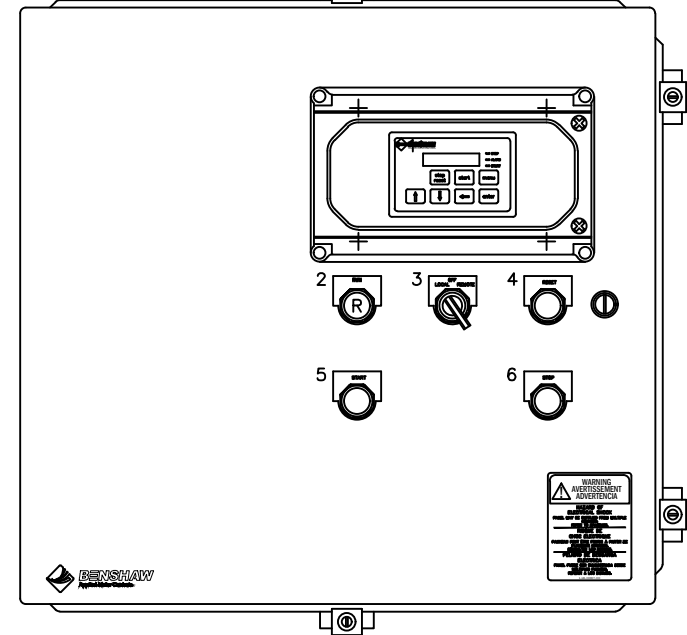
FRONT OF ENCLOSURE PLAN VIEW

ECO# E5642 APPRD:JBU 2/25/2020 CHG BY:JBU 2/25/2020 CHANGE: UL 347 UPDATES	ECO# E5202 APPRD:SMM 5/19/17 CHG BY:RBW 5/19/17 CHANGE: CHANGED TO MICRORUPTER DISCONNECT	ECO# E5202 APPRD:JBU 7/26/16 CHG BY:JBU 7/26/16 CHANGE: GENERAL UPDATE	REVISION DO NOT SCALE DWG	THIRD ANGLE PROJECTION THIS DRAWING AND ALL INFORMATION CONTAINED HEREIN, IS THE PROPERTY OF BENSCHAW INC., AND MAY NOT BE REPRODUCED, OR DWLGED TO UNAUTHORIZED PERSONS WITHOUT THE EXPRESS WRITTEN CONSENT OF BENSCHAW INC. IT IS PROVIDED SOLELY FOR THE CONVENIENCE OF THE USER AND SHALL BE RETURNED UPON REQUEST.	UNLESS OTHERWISE SPECIFIED ALL DIMENSIONS IN INCHES [mm] INTERPRET DRAWING PER ASME Y14.5M-1994 TOLERANCES: .XX ± .03 .XXX ± .015 ANGLES ± 1°	SIGNATURES DRWN: SMM 6/16/14 CHKD: SMM 6/16/14 ENG: SMM 6/16/14	DATE 6/16/14	TITLE: UL LABELED CFMVRMX18-1000-4160-3R SOLID STATE STARTER ENCLOSURE LAYOUT	 815 ALPHA DRIVE PITTSBURGH, PA 15238 550 BRIGHT ST. E. LISTON, ONTARIO N4W 3W2	SCALE: 3/32 : 1 SHEET 1 OF 7	REV 6
						MATERIAL: FINISH:					

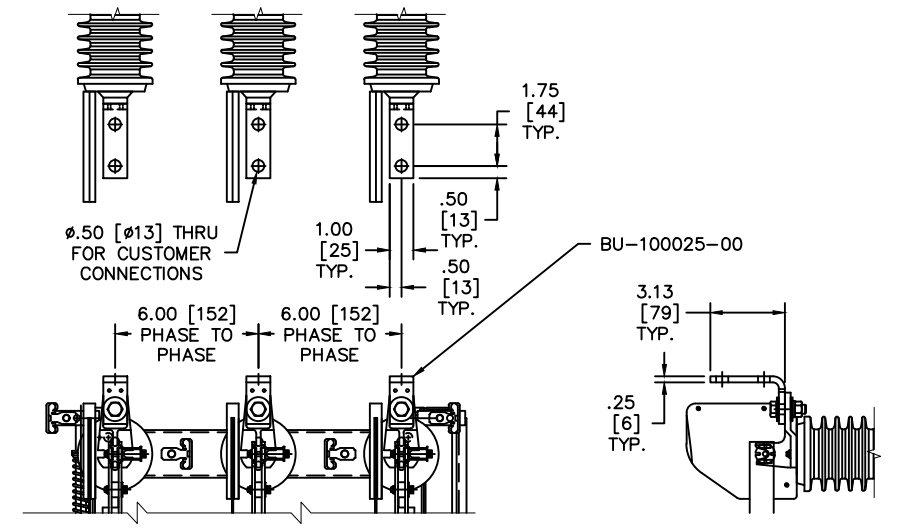
MVRXE18100041603R

CUSTOMER TERMINAL BLOCKS

6	REMOTE E-STOP
6C	REMOTE E-STOP
6B	REMOTE E-STOP
65	START/STOP COMMAND CUSTOMER SUPPLIED
66	START/STOP COMMAND CUSTOMER SUPPLIED
80	FAULT INDICATION IN S.S. MODE FOR CUSTOMER USE
81	FAULT INDICATION IN S.S. MODE FOR CUSTOMER USE
82	FAULT INDICATION IN S.S. MODE FOR CUSTOMER USE
83	UP-TO-SPEED INDICATION IN S.S. MODE FOR CUSTOMER USE
84	UP-TO-SPEED INDICATION IN S.S. MODE FOR CUSTOMER USE
85	UP-TO-SPEED INDICATION IN S.S. MODE FOR CUSTOMER USE
86	RUN INDICATION IN ATL & S.S. MODES FOR CUSTOMER USE
87	RUN INDICATION IN ATL & S.S. MODES FOR CUSTOMER USE
88	RUN INDICATION IN ATL & S.S. MODES FOR CUSTOMER USE
92	ANALOG OUTPUT FOR CUSTOMER USE
93	ANALOG OUTPUT FOR CUSTOMER USE
94	ANALOG OUTPUT FOR CUSTOMER USE
95	O/L FAULT IND. IN ATL MODE FOR CUSTOMER USE
96	O/L FAULT IND. IN ATL MODE FOR CUSTOMER USE
97	O/L FAULT IND. IN ATL MODE FOR CUSTOMER USE
98	RS-485
99	RS-485
SHD	
SP	
SP	
SP	



- DEVICE LEGEND**
1. KEYPAD DISPLAY WITH 3R COVER
 2. "RUN" (RED) PILOT LIGHT
 3. "LOCAL-OFF-REMOTE" SELECTOR SWITCH
 4. "RESET" (BLACK) PUSHBUTTON
 5. "START" (GREEN) PUSHBUTTON
 6. "STOP" (RED) RAISED PUSHBUTTON

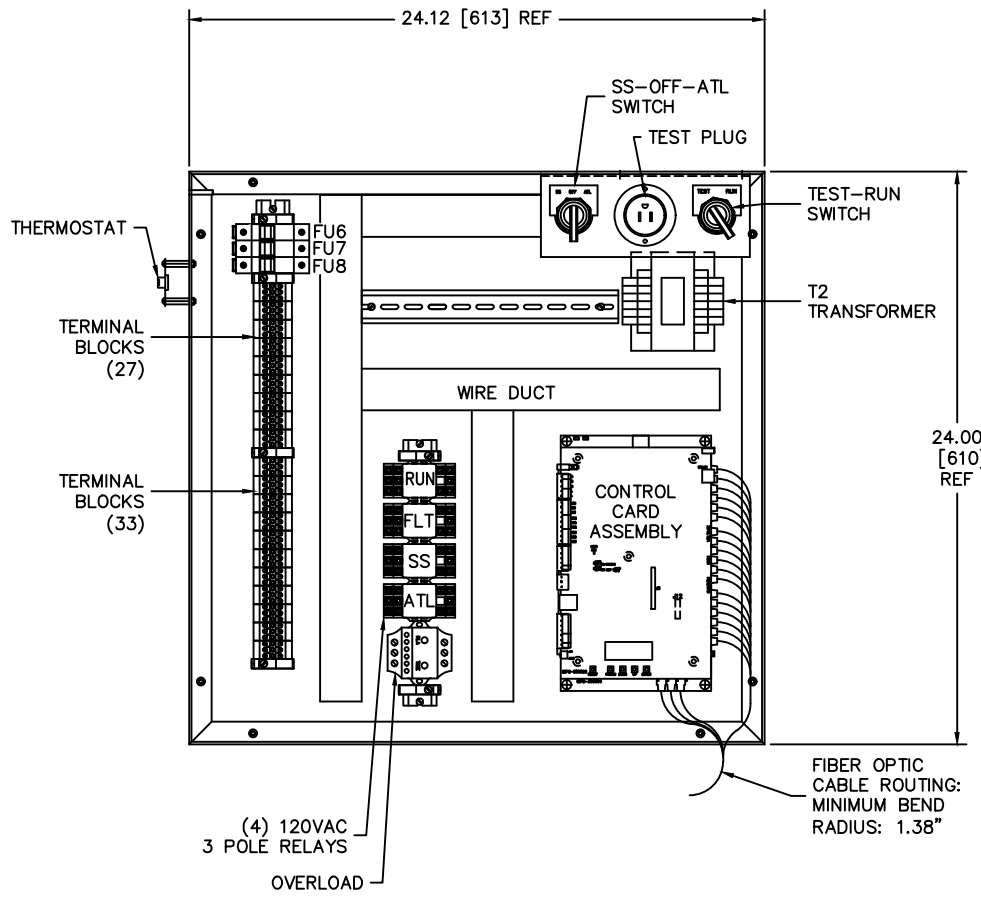


LINE SIDE LANDING PAD DETAIL "C"
MATERIAL: .25" THICK TIN PLATED COPPER

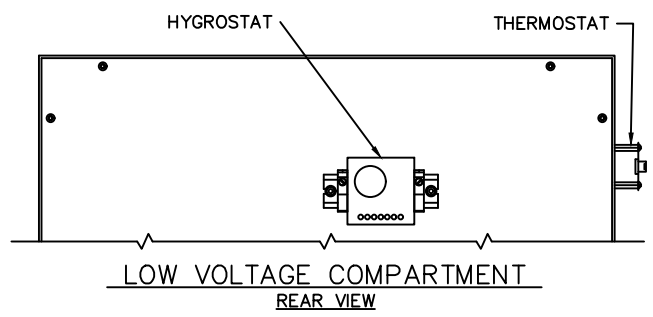
LOW VOLTAGE COMPARTMENT DOOR

BENSHAW TERMINAL BLOCKS

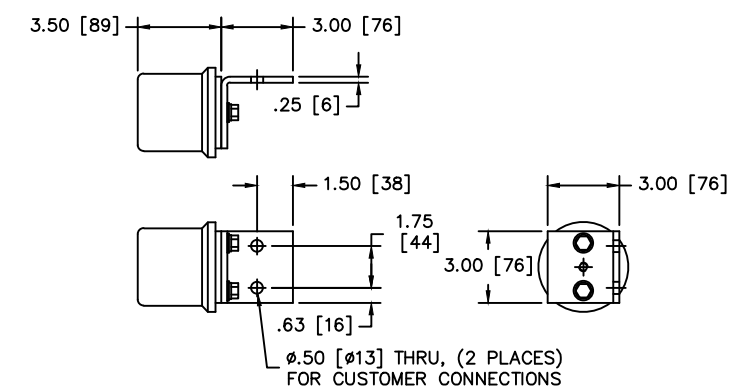
4
5A
6
6
6B
6B
6B
7
7
7
7
7
7
7
7
7
5
5
10
10
13
36
41
42
43
44
51
52
SP
SP
SP
SP



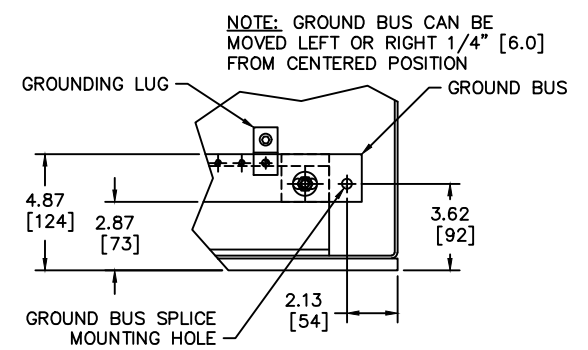
LOW VOLTAGE COMPARTMENT INTERIOR VIEW



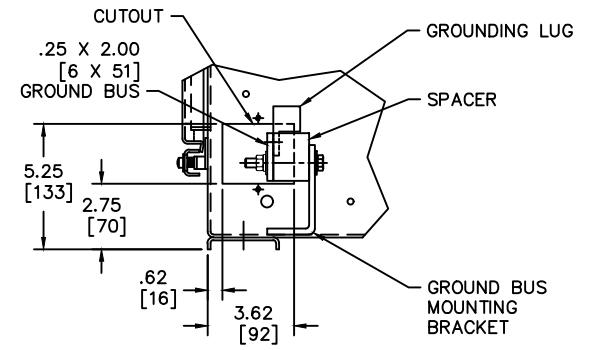
LOW VOLTAGE COMPARTMENT REAR VIEW



LANDING PAD DETAIL "B"
MATERIAL: .25" THICK TIN PLATED COPPER



FRONT VIEW



SIDE VIEW

GROUND BUS DETAIL "A"
MATERIAL: .25 [6] THK. X 2.00 [51] WIDE BARE COPPER

ECO# E5642 APPRD:JBU 2/25/2020 CHG BY:JBU 2/25/2020 CHANGE: UL 347 UPDATES	ECO# E5202 APPRD:SMM 5/19/17 CHG BY:RBM 5/19/17 CHANGE:CHANGED TO MICRODISCONNECT	ECO# E4864A APPRD:JBU 7/26/16 CHG BY:JBU 7/26/16 CHANGE:GENERAL UPDATE	ECO# E4864A APPRD:JBU 1/15/16 CHG BY:JBU 1/15/16 CHANGE:LABEL UPDATE	APPRD:SMM 6/16/14 CHG BY:SMM 6/16/14 CHANGE: INITIAL RELEASE	DO NOT SCALE DWG	THIRD ANGLE PROJECTION	UNLESS OTHERWISE SPECIFIED ALL DIMENSIONS IN INCHES [mm] INTERPRET DRAWING PER ASME Y14.5M-1994 TOLERANCES: .XX ± .03 .XXX ± .015 ANGLES ± 1°	SIGNATURES DRWN: SMM 6/16/14 CHKD: SMM 6/16/14 ENG: SMM 6/16/14	DATE 6/16/14	TITLE: UL LABELED CFMVRM18-1000-4160-3R SOLID STATE STARTER LOW VOLTAGE COMPARTMENT AND ENCLOSURE DETAILS	SCALE: 1/4 : 1	SHEET 2 OF 7	REV 6	
MATERIAL: FINISH:											SIZE: D		DWG. NO. MVRXE18100041603R	



SHOP NOTES:

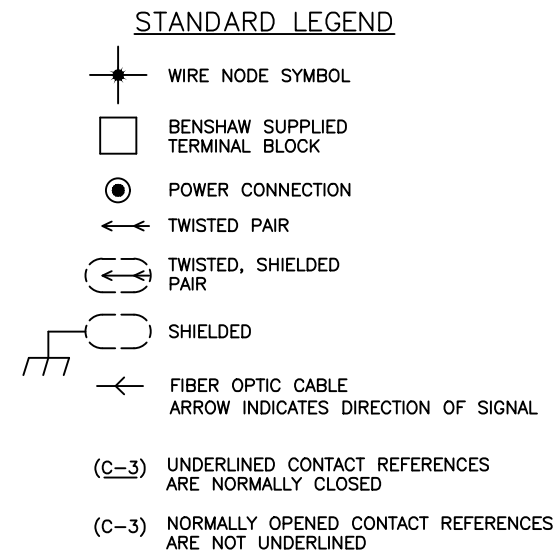
- S1 ALL INSTRUMENT AND CONTROL GROUND WIRES ARE #12AWG GREEN WIRE, EXCEPT WHERE NOTED, RUN SEPARATELY TO GROUND LUG POINT. DO NOT DAISY CHAIN GROUND WIRES. RUN ALL GROUND WIRES A MINIMUM OF FOUR (4) INCHES FROM POWER CABLE AND HEATSINKS.
- S2 ALL SECONDARY POWER WIRING MUST BE ROUTED SEPARATE FROM GROUND WIRES AND CONTROL WIRING.
- S3 ALL CURRENT TRANSFORMER SIGNAL WIRING TO BE COVERED WITH HIGH VOLTAGE SLEEVING. ALL CURRENT TRANSFORMERS TO BE SEPARATELY GROUNDED TO GROUND BUS.
- S4 ALL WIRING IN THE MEDIUM VOLTAGE AREA WITHIN FOUR (4) INCHES OF THE HEATSINK ASSEMBLY OR POWER CABLE MUST HAVE 5KV SLEEVING.
- S5 SEPARATE LOW VOLTAGE SUPPLY & CONTROL WIRING AS MUCH AS POSSIBLE FROM MV WIRING. MINIMUM SPACE IS 3". WIRES TO CROSS AT 90° ANGLES.
- S6 14AWG GREEN WIRE, EXCEPT WHERE OTHERWISE NOTED, RUN SEPARATELY TO GROUND LUG POINT. DO NOT DAISY CHAIN GROUND WIRES. RUN ALL GROUND WIRES A MINIMUM OF FOUR (4) INCHES FROM POWER CABLE AND HEATSINKS.
- S7 SCR GATE WIRES TO BE COVERED WITH HIGH VOLTAGE SLEEVING.
- S8 ALL CONTROL WIRING TO BE 14AWG EXCEPT WHERE NOTED.

PARAMETER SETTINGS

SEE MANUAL FOR ADDITIONAL SETTINGS

GROUP	DISPLAY	FUNCTION	AS BUILT
QST 04	LOCAL SRC	LOCAL START SOURCE	TERMINAL
QST 05	REMOTE SRC	REMOTE START SOURCE	TERMINAL
I/O/ 26	Kpd Stop	KEYPAD STOP ENABLE / DISABLE	DISABLE
I/O/ 01	DI 1 CONFIG	DIGITAL INPUT #1 CONFIGURATION	OFF
I/O/ 02	DI 2 CONFIG	DIGITAL INPUT #2 CONFIGURATION	INLINE CNFRM
I/O/ 03	DI 3 CONFIG	DIGITAL INPUT #3 CONFIGURATION	DISCONNECT
I/O/ 04	DI 4 CONFIG	DIGITAL INPUT #4 CONFIGURATION	FAULT LOW
I/O/ 05	DI 5 CONFIG	DIGITAL INPUT #5 CONFIGURATION	OFF
I/O/ 06	DI 6 CONFIG	DIGITAL INPUT #6 CONFIGURATION	FAULT RESET
I/O/ 07	DI 7 CONFIG	DIGITAL INPUT #7 CONFIGURATION	OFF
I/O/ 08	DI 8 CONFIG	DIGITAL INPUT #8 CONFIGURATION	OFF
I/O/ 10	R1 CONFIG	RELAY OUTPUT #1 CONFIGURATION	FAULT FS
I/O/ 11	R2 CONFIG	RELAY OUTPUT #2 CONFIGURATION	UTS
I/O/ 12	R3 CONFIG	RELAY OUTPUT #3 CONFIGURATION	RUNNING
I/O/ 13	R4 CONFIG	RELAY OUTPUT #4 CONFIGURATION	OFF
I/O/ 14	R5 CONFIG	RELAY OUTPUT #5 CONFIGURATION	OFF
I/O/ 15	R6 CONFIG	RELAY OUTPUT #6 CONFIGURATION	OFF
I/O/ 21	Aout Fctn	ANALOG OUTPUT FUNCTION	OFF
RTD 01	RTDMod1 Addr	RTD MODULE #1 ADDRESS	OFF
RTD 02	RTDMod2 Addr	RTD MODULE #2 ADDRESS	OFF

GROUP	DISPLAY	FUNCTION	AS BUILT
FUN 03	CT RATIO	CT RATIO	150:5
FUN 05	RATED VOLTS	RATED RMS VOLTAGE	4160
FUN 07	STARTER TYPE	STARTER TYPE	NORMAL
FUN 20	STACK OL	STACK OL ENABLE / DISABLE	ENABLE
FUN 21	STACK RATING	STACK RATING	195A

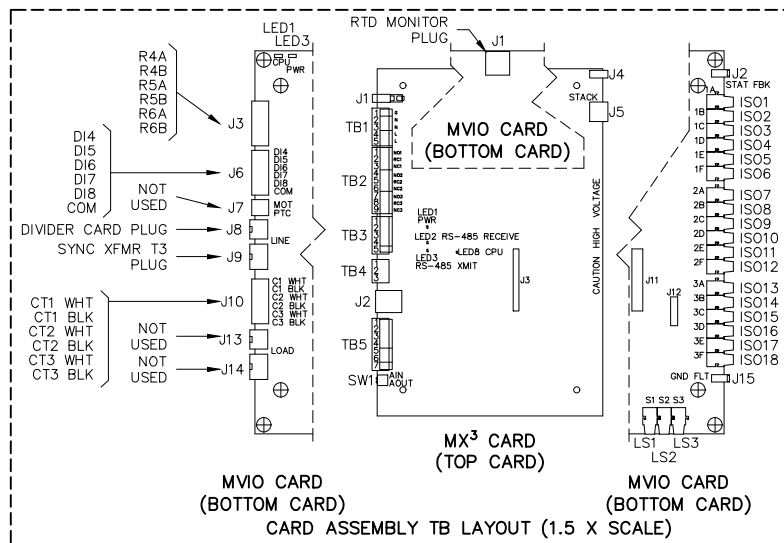


CUSTOMER NOTES:

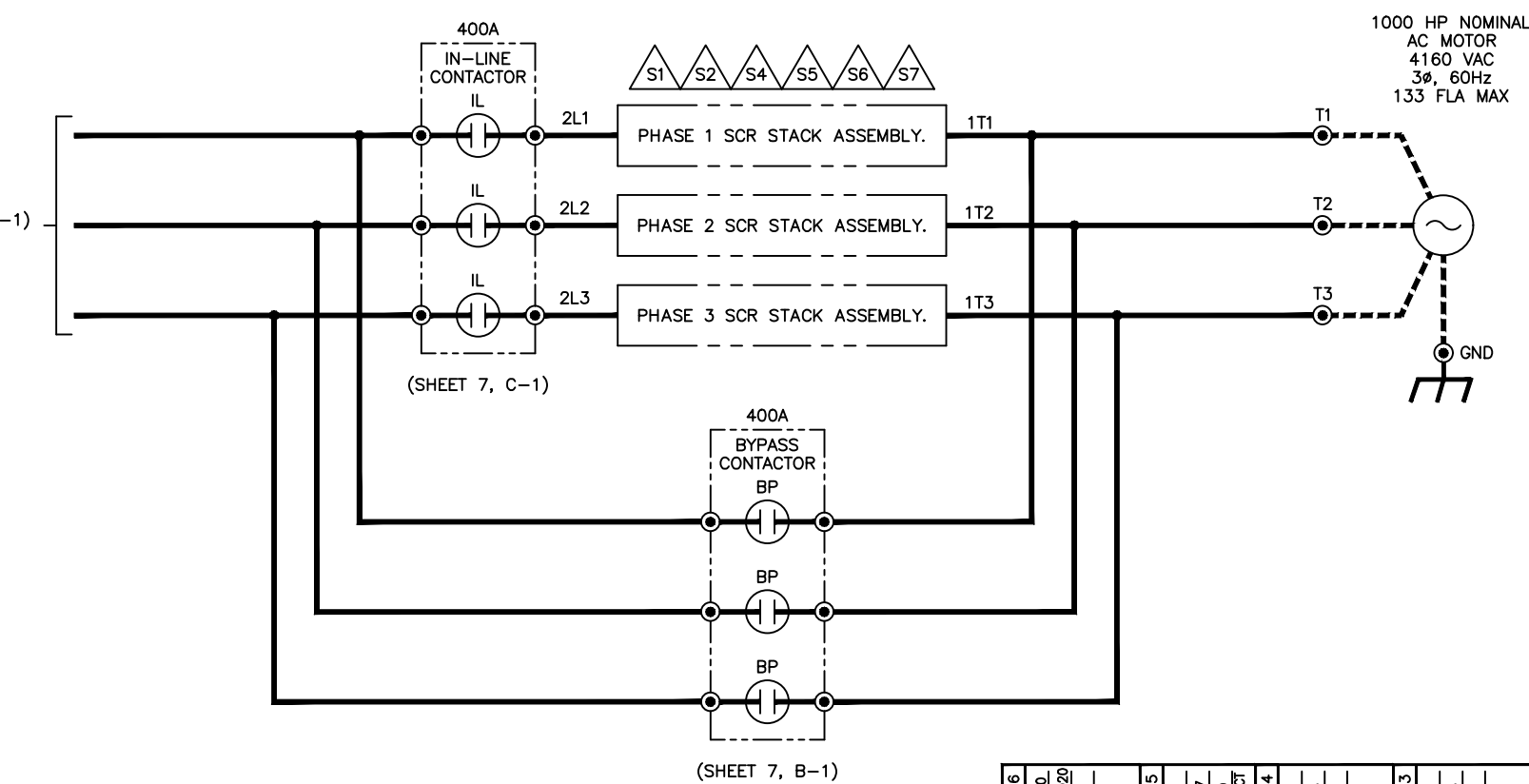
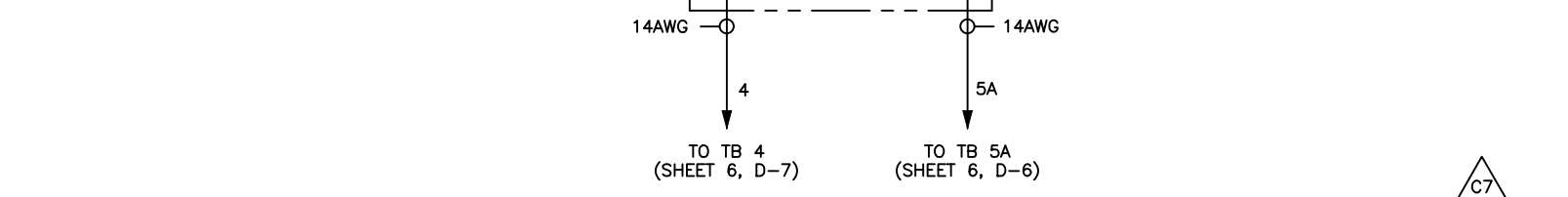
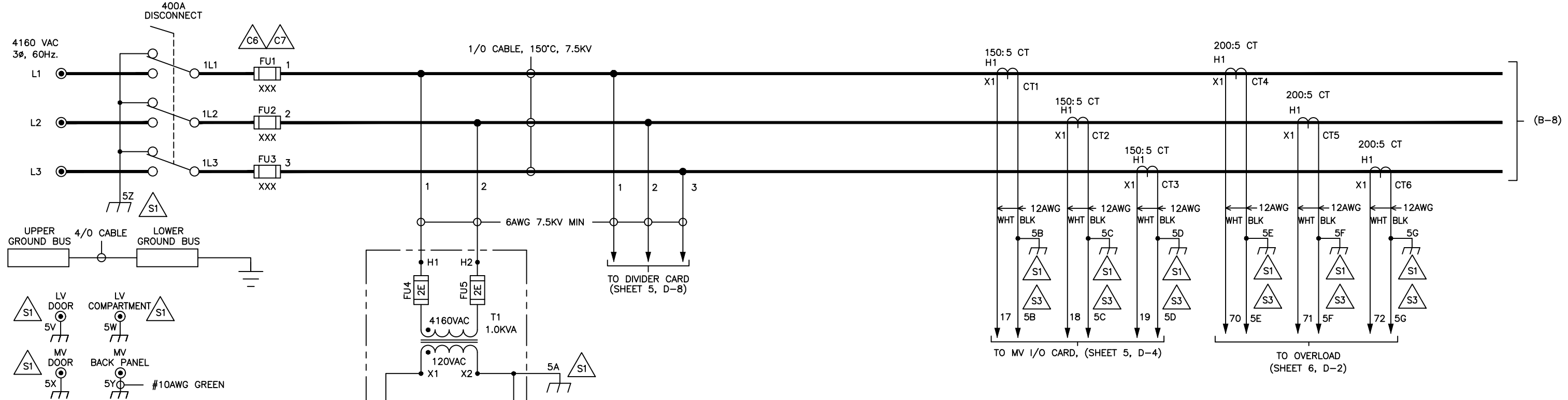
- C1 ITEM LOCATED IN STARTER MEDIUM VOLTAGE SECTION.
- C2 ITEM LOCATED IN STARTER LOW VOLTAGE SECTION.
- C3 R1 RELAY SHOWN IN DE-ENERGIZED STATE. R1 N.O. CONTACT WILL OPEN AND R1 N.C. CONTACT WILL CLOSE ON SYSTEM FAULT. R1 RELAY INDICATES FAULT ON POWER-UP UNTIL STARTER SELF-CHECK IS COMPLETE.
- C4 LED STATUS WITH POWER APPLIED. "ON" "OFF"
- C5 REMOVE REMOTE RUN COMMAND PRIOR TO RESETTING A FAULT TO PREVENT IMMEDIATE RESTART OF THE MOTOR.
- C6 REFERENCE SALES ORDER FOR R-FUSE SIZE.
- C7 THE ACTUAL HP AND FLA RATINGS VARY PER MOTOR. SIZE R-FUSES PER MOTOR FLA. THE MAXIMUM SIZE R-FUSE FOR THIS MODEL MVRXE IS 9R.

	SOFTWARE VERSION	MANUAL
MX3 CARD	810023-02-xx	890034-03-xx
MVIO CARD	810024-01-xx	

xx VERSION AT TIME OF SHIPMENT



ECO# E5642 APPRD: JBU 2/25/2020 CHG BY: JBU 2/25/2020 CHANGE: UL 347 UPDATES	ECO# E5202 APPRD: SMM 5/19/17 CHG BY: RBM 5/19/17 CHANGE: CHANGED TO MICROPUTER DISCONNECT	4 APPRD: JBU 7/26/16 CHG BY: JBU 7/26/16 CHANGE: GENERAL UPDATE	3 E4865A APPRD: JBU 1/15/16 CHG BY: JBU 1/15/16 CHANGE: SHEETS 1 & 2	2 APPRD: SMM 6/16/14 CHG BY: SMM 6/16/14 CHANGE: INITIAL RELEASE	REVISION DO NOT SCALE DWG	THIRD ANGLE PROJECTION 	UNLESS OTHERWISE SPECIFIED ALL DIMENSIONS IN INCHES [mm] INTERPRET DRAWING PER ASME Y14.5M-1994 TOLERANCES: .XX ± .03 .XXX ± .015 ANGLES ± 1°	SIGNATURES DRWN: SMM 6/16/14 CHKD: SMM 6/16/14 ENG: SMM 6/16/14	DATE 6/16/14	TITLE: UL LABELED CFMVRMX18-1000-4160-3R SOLID STATE STARTER SCHEMATIC NOTES	 815 ALPHA DRIVE PITTSBURGH, PA. 15238 550 BRIGHT ST. E. LONDON, ONTARIO N4W 3K2	SCALE: N.A.	SHEET 3 OF 7	REV 6
---	---	--	--	---	------------------------------	----------------------------	---	--	-----------------	---	---	-------------	--------------	-------



CAUTION:
SEVERE DAMAGE MAY RESULT IF SURGE CAPACITORS, LIGHTNING ARRESTERS, OR POWER FACTOR CORRECTION CAPACITORS ARE CONNECTED TO THE LOAD SIDE OF THE SOLID STATE STARTER. CONSULT FACTORY BEFORE USING ANY OF THESE POWER QUALITY ENHANCEMENT DEVICES.

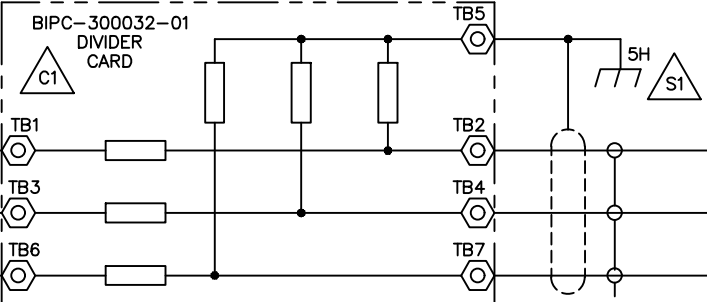
ECO# E5642	6	APPRD:JBU 2/25/2020	CHG BY:JBU 2/25/2020	CHANGE: UL 347 UPDATES
ECO# E5202	5	APPRD:SMM 5/19/17	CHG BY:RBM 5/19/17	CHANGE: CHANGED TO MICROPUTER DISCONNECT
ECO# E4865A	3	APPRD:JBU 1/15/16	CHG BY:JBU 1/15/16	CHANGE: SHEETS 1 & 2
ECO# E5642	2	APPRD:SMM 6/16/14	CHG BY:SMM 6/16/14	CHANGE: INITIAL RELEASE
ECO# E5642	1	APPRD:JBU 7/26/16	CHG BY:JBU 7/26/16	CHANGE: GENERAL UPDATE

THIRD ANGLE PROJECTION	UNLESS OTHERWISE SPECIFIED ALL DIMENSIONS IN INCHES [mm] INTERPRET DRAWING PER ASME Y14.5M-1994	SIGNATURES	DATE	TITLE: UL LABELED CFMVRMX18-1000-4160-3R SOLID STATE STARTER SCHEMATIC
THIS DRAWING AND ALL INFORMATION CONTAINED HEREIN, IS THE PROPERTY OF BENSCHAW INC., AND MAY NOT BE REPRODUCED, OR DIVULGED TO UNAUTHORIZED PERSONS, WITHOUT THE EXPRESS WRITTEN CONSENT OF BENSCHAW INC. IT IS PROVIDED SOLELY FOR THE CONVENIENCE OF THE USER AND SHALL BE RETURNED UPON REQUEST.	TOLERANCES: .XX \pm .03 .XXX \pm .015 ANGLES \pm 1'	DRWN. SMM	6/16/14	
	MATERIAL:	CHKD. SMM	6/16/14	
	FINISH:	ENG. SMM	6/16/14	
		SIZE	DWG. NO.	SCALE: N.A.
		D MVRXE18100041603R		SHEET 4 OF 7
				REV 6

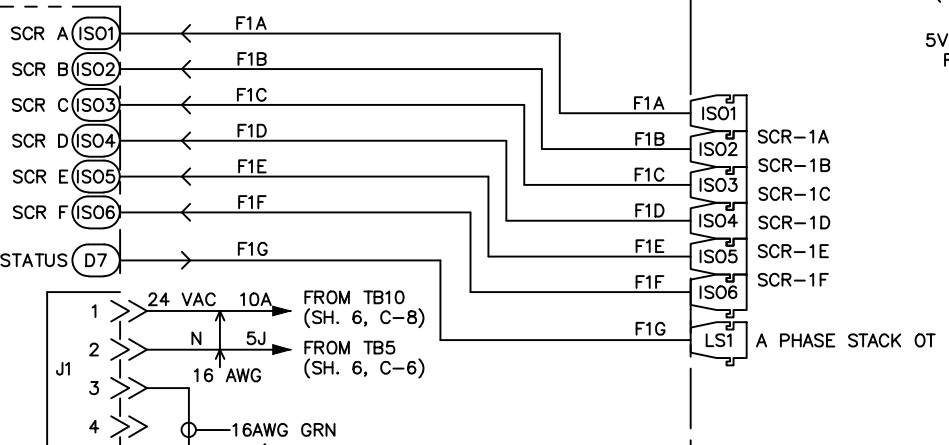
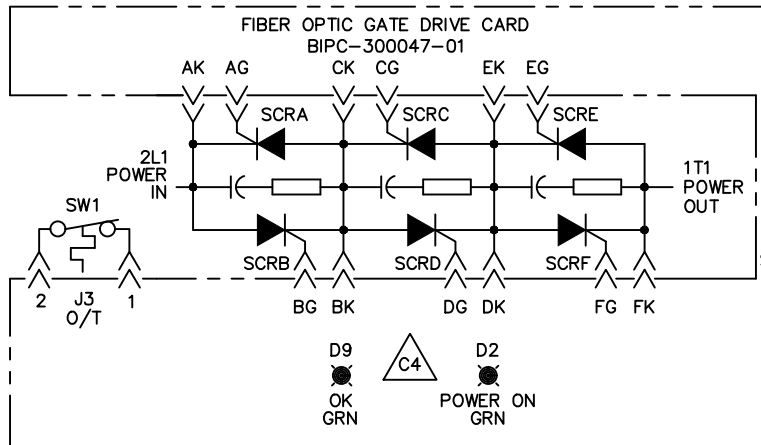
SEE SHEET 3 FOR NOTES



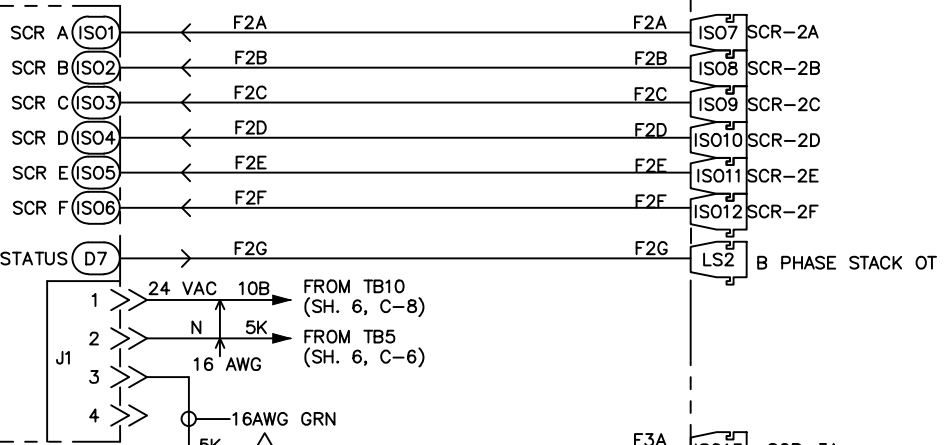
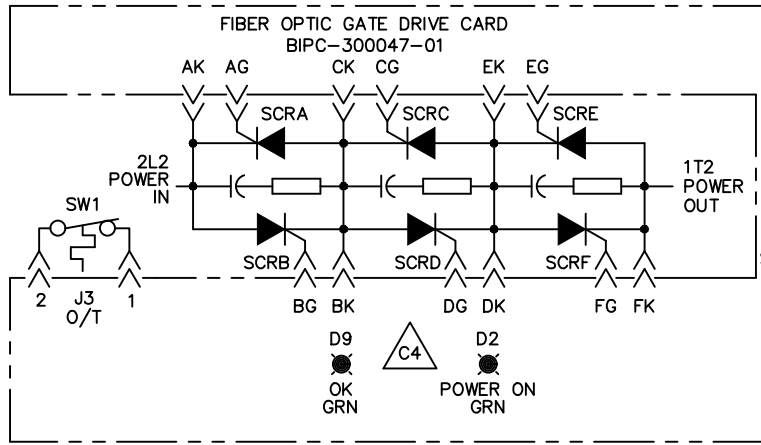
FROM FUSES FU1-FU3 (SHEET 4, C-3)



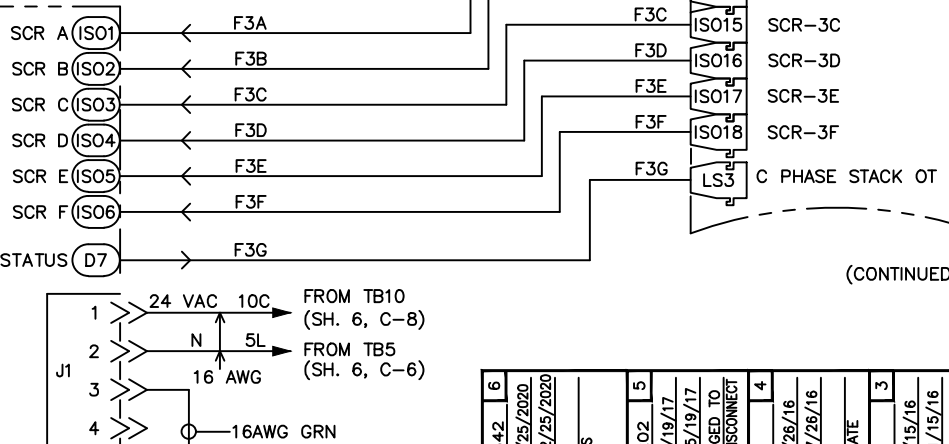
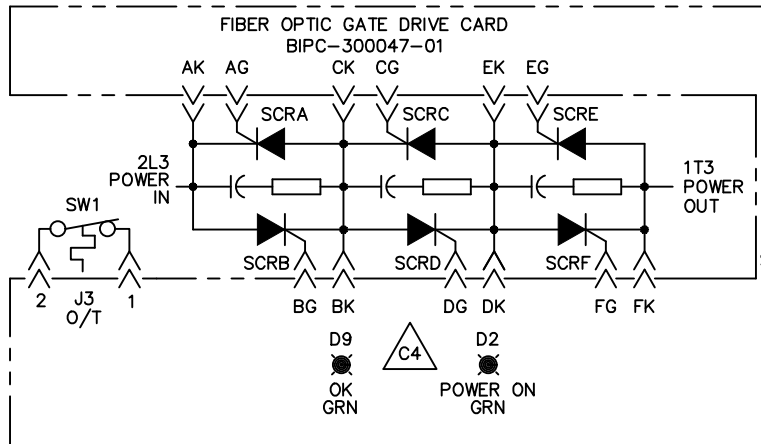
PHASE 1 SCR STACK ASSEMBLY



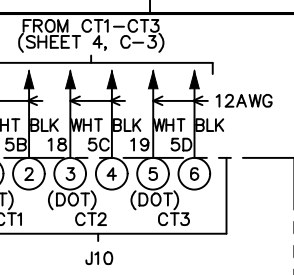
PHASE 2 SCR STACK ASSEMBLY



PHASE 3 SCR STACK ASSEMBLY

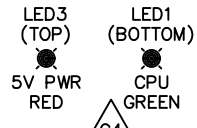


(CONTINUED ON SHEET 7, D-6)

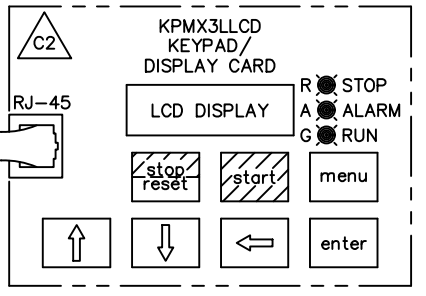
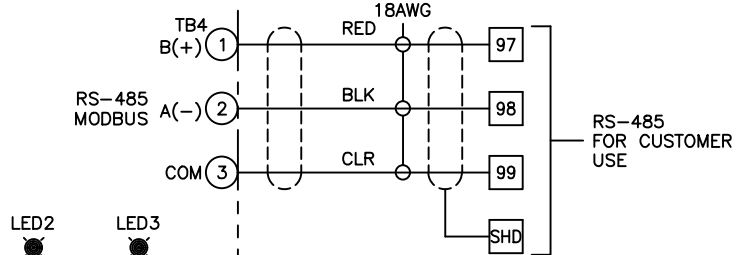


LINE VOLTAGE SENSING DIVIDER CARD

BIPC-300034-01 MPIO CARD (PART OF ASSEMBLY BIPC-450100-01)

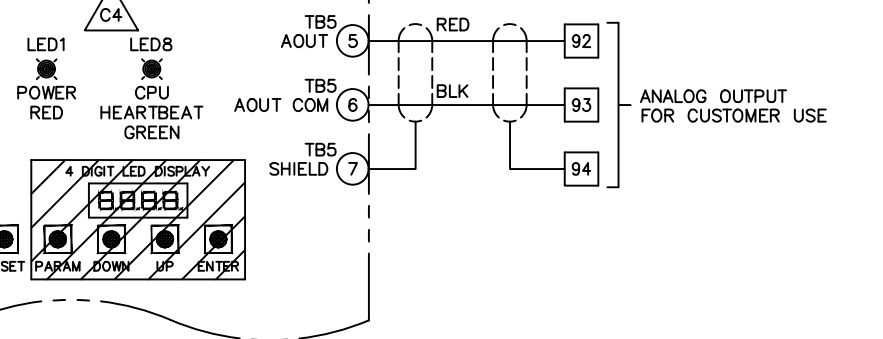
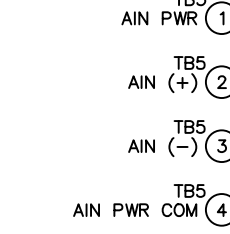


BIPC-300055-02 MX3 CARD (PART OF ASSEMBLY BIPC-450100-01)



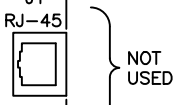
SW1 ANALOG I/O SETTINGS

ON	OFF	POS 1
X	X	AIN
X		POS 2
		AOUT



(CONTINUED ON SHEET 7, D-2)

LEDS IN CONNECTOR
RECEIVE GREEN TRANSMIT RED

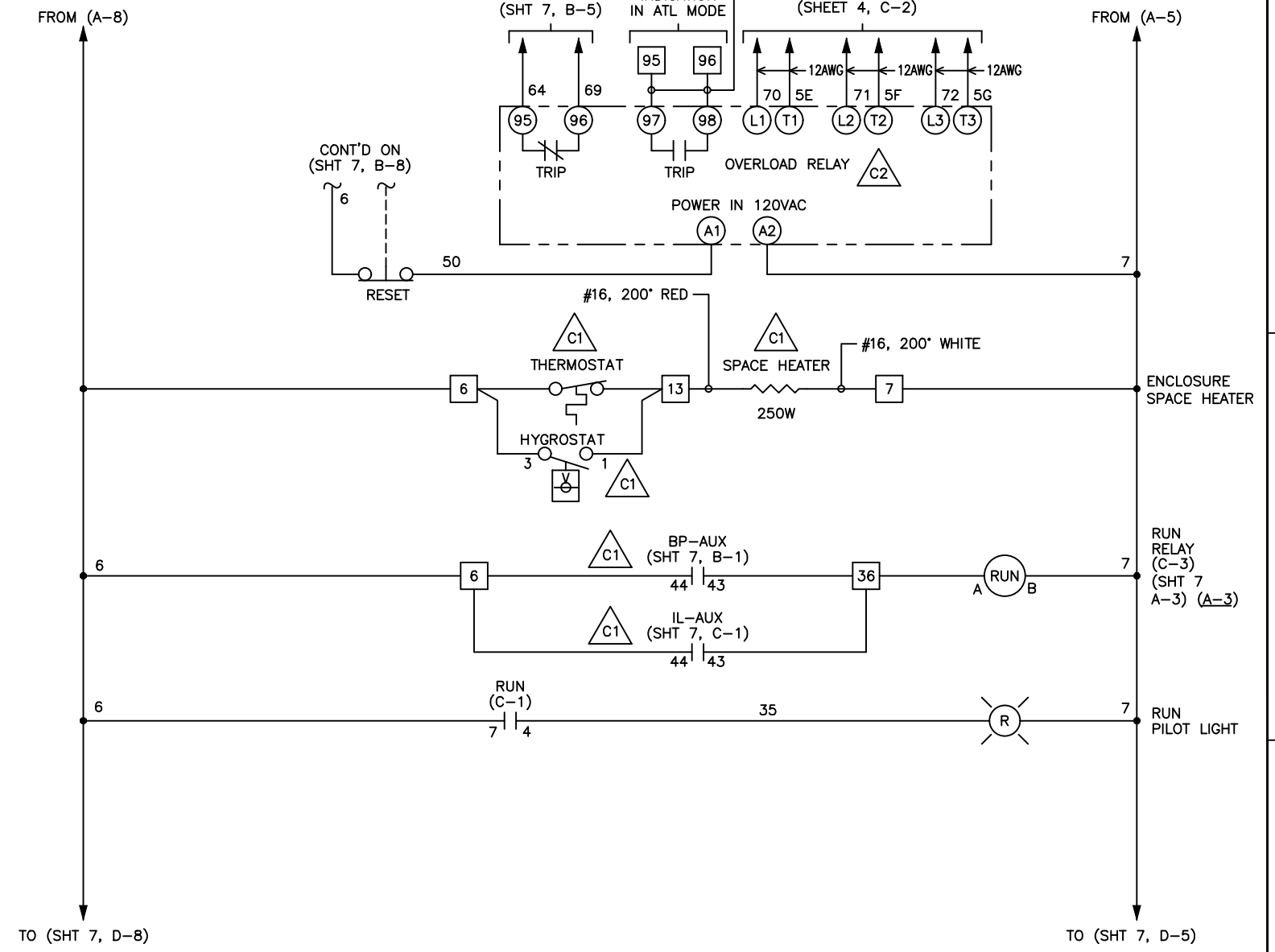
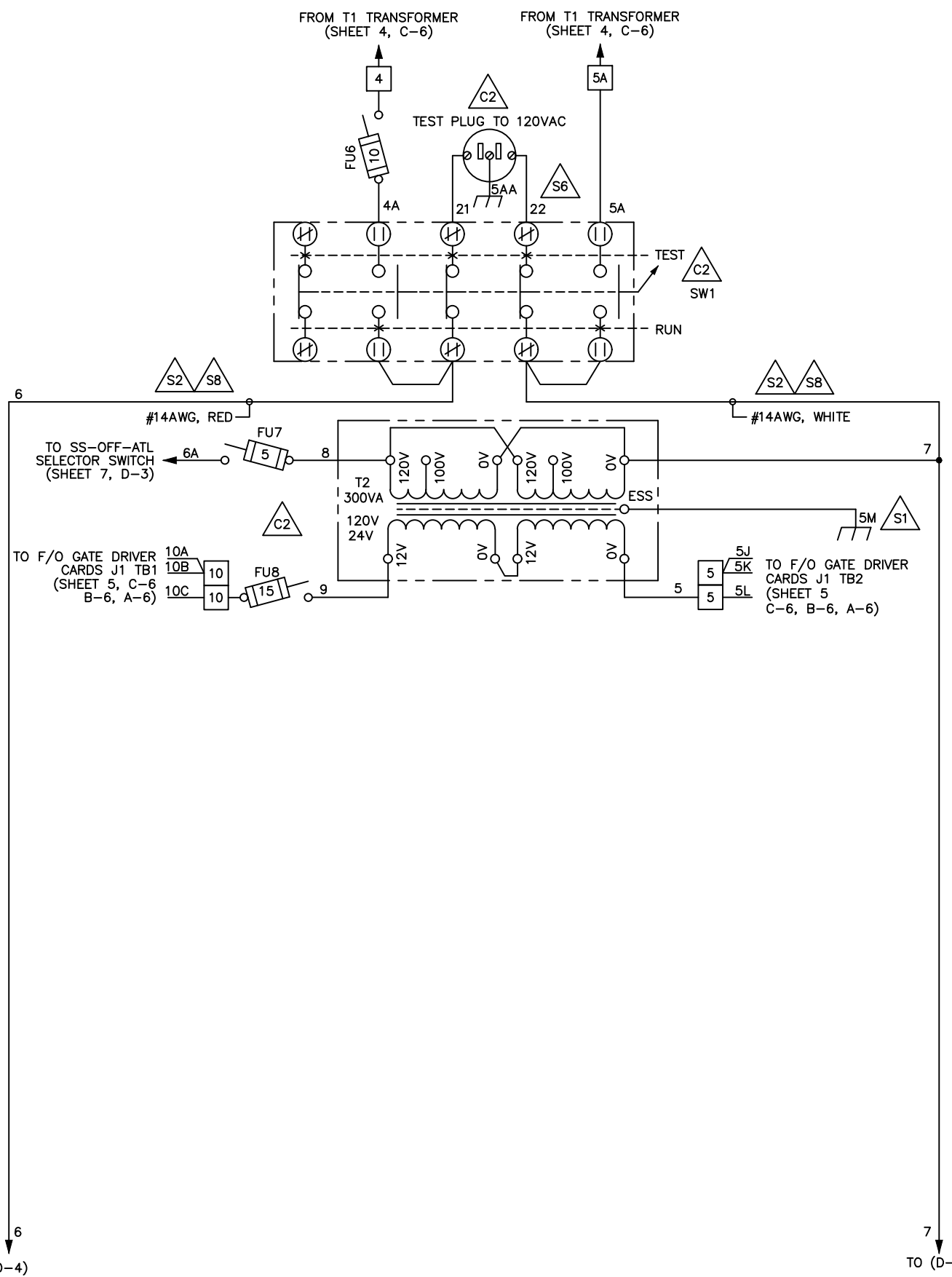


(CONTINUED ON SHEET 7, D-6)

ECO# E5642	6	APPRD: JBU 2/25/2020	CHG BY: JBU 2/25/2020	CHANGE: UL 347 UPDATES
ECO# E5202	5	APPRD: SMM 5/19/17	CHG BY: REM 5/19/17	CHANGE: CHANGED TO MICRODRIVER DISCONNECT
ECO# E4865A	4	APPRD: JBU 7/26/16	CHG BY: JBU 7/26/16	CHANGE: GENERAL UPDATE
ECO# E4865A	3	APPRD: JBU 1/15/16	CHG BY: JBU 1/15/16	CHANGE: SHEETS 1 & 2
<p>THIRD ANGLE PROJECTION</p> <p>UNLESS OTHERWISE SPECIFIED ALL DIMENSIONS IN INCHES [mm] INTERPRET DRAWING PER ASME Y14.5M-1994</p> <p>TOLERANCES: .XX ± .03 .XXX ± .015 ANGLES ± 1°</p> <p>MATERIAL: FINISH:</p>				
REVISION	DO NOT SCALE DWG	SIGNATURES		DATE
DRWN: SMM	6/16/14	DATE		6/16/14
CHKD: SMM	6/16/14	DATE		6/16/14
ENG: SMM	6/16/14	DATE		6/16/14
<p>TITLE: UL LABELED CFMVRMX18-1000-4160-3R SOLID STATE STARTER SCHEMATIC</p>			<p>SCALE: N.A. SHEET 5 OF 7</p>	
<p>SEE SHEET 3 FOR NOTES</p>			<p>REV 6</p>	

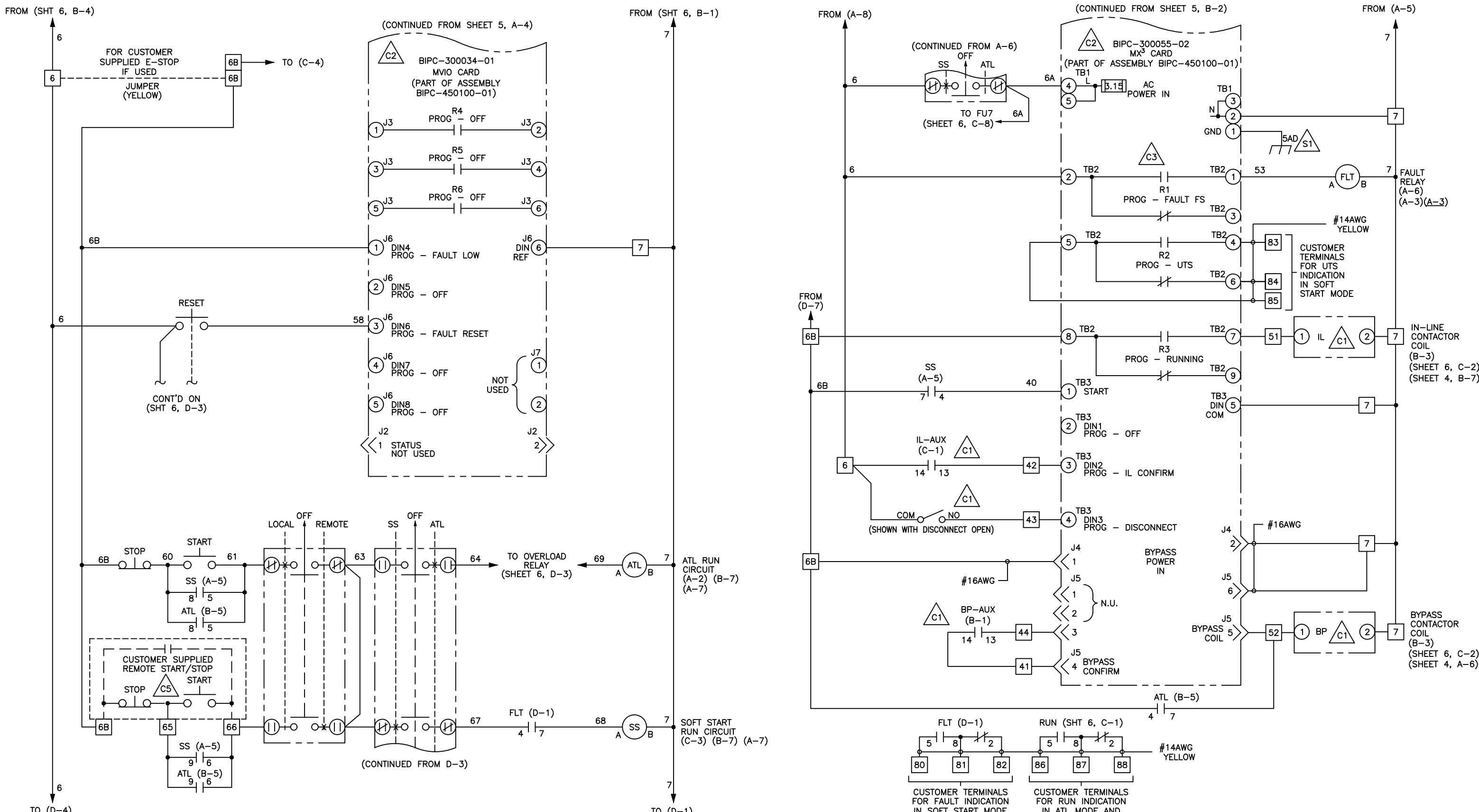


D MVRXE18100041603R



SEE SHEET 3 FOR NOTES

ECO# E5642	6	APPRD: JBU 2/25/2020	5	APPRD: SMM 6/16/14	2	THIRD ANGLE PROJECTION	UNLESS OTHERWISE SPECIFIED ALL DIMENSIONS IN INCHES [mm] INTERPRET DRAWING PER ASME Y14.5M-1994	SIGNATURES	DATE	TITLE: UL LABELED CFMVRMX18-1000-4160-3R SOLID STATE STARTER SCHEMATIC	<p>815 ALPHA DRIVE PITTSBURGH, PA. 15238</p> <p>550 BRIGHT ST. E. LISTON, ONTARIO N4W 3K2</p>
CHG BY: JBU 2/25/2020		CHANGE: UL 347 UPDATES		CHG BY: SMM 6/16/14		THIS DRAWING AND ALL INFORMATION CONTAINED HEREIN IS THE PROPERTY OF BENSHAW INC. AND MAY NOT BE REPRODUCED, OR DIVULGED TO UNAUTHORIZED PERSONS, WITHOUT THE EXPRESS WRITTEN CONSENT OF BENSHAW INC. IT IS PROVIDED SOLELY FOR THE CONVENIENCE OF THE USER AND SHALL BE RETURNED UPON REQUEST.	TOLERANCES: .XX ± .03 .XXX ± .015 ANGLES ± 1°	DRWN: SMM 6/16/14	6/16/14	SCALE: N.A.	
ECO# E5202	5	APPRD: SMM 5/19/17	4	CHG BY: SMM 6/16/14	3	DO NOT SCALE DWG	MATERIAL:	CHKD: SMM 6/16/14	6/16/14	SIZE DWG. NO.	REV 6
CHG BY: RBM 5/19/17		CHANGE: CHANGED TO MICRODRIVER DISCONNECT		CHG BY: SMM 6/16/14		REVISION	FINISH:	ENG: SMM 6/16/14		D MVRXE18100041603R	
APPRD: JBU 7/26/16		CHANGE: GENERAL UPDATE		CHG BY: SMM 6/16/14		INITIAL RELEASE					
CHG BY: JBU 7/26/16				CHG BY: SMM 6/16/14							
ECO# E4865A	3	APPRD: JBU 1/15/16	2	CHG BY: SMM 6/16/14	1						
CHG BY: JBU 1/15/16		CHANGE: SHEETS 1 & 2		CHG BY: SMM 6/16/14							



ECO# E5642	5	ECO# E5202	4	3	2	1	REV	DATE	BY	CHKD.	ENG.	DATE	DATE	DATE	DATE	DATE	DATE	DATE	DATE
APPRD: JBU 2/25/2020	APPRD: SMM 5/19/17	APPRD: SMM 7/26/16	APPRD: JBU 1/15/16	APPRD: SMM 6/16/14	APPRD: SMM 6/16/14	APPRD: SMM 6/16/14	1	6/16/14	SMM	SMM	SMM	6/16/14	6/16/14	6/16/14	6/16/14	6/16/14	6/16/14	6/16/14	6/16/14
CHG BY: JBU 2/25/2020	CHG BY: RBM 5/19/17	CHG BY: JBU 7/26/16	CHG BY: JBU 1/15/16	CHG BY: SMM 6/16/14	CHG BY: SMM 6/16/14	CHG BY: SMM 6/16/14	2	6/16/14	SMM	SMM	SMM	6/16/14	6/16/14	6/16/14	6/16/14	6/16/14	6/16/14	6/16/14	6/16/14
CHANGE: UL 347 UPDATES	CHANGE: CHANGED TO MICROCHIP DISCONNECT	CHANGE: GENERAL UPDATE	CHANGE: GENERAL UPDATE	CHANGE: INITIAL RELEASE	CHANGE: INITIAL RELEASE	CHANGE: INITIAL RELEASE	3	6/16/14	SMM	SMM	SMM	6/16/14	6/16/14	6/16/14	6/16/14	6/16/14	6/16/14	6/16/14	6/16/14
							4	6/16/14	SMM	SMM	SMM	6/16/14	6/16/14	6/16/14	6/16/14	6/16/14	6/16/14	6/16/14	6/16/14
							5	6/16/14	SMM	SMM	SMM	6/16/14	6/16/14	6/16/14	6/16/14	6/16/14	6/16/14	6/16/14	6/16/14
							6	6/16/14	SMM	SMM	SMM	6/16/14	6/16/14	6/16/14	6/16/14	6/16/14	6/16/14	6/16/14	6/16/14
							7	6/16/14	SMM	SMM	SMM	6/16/14	6/16/14	6/16/14	6/16/14	6/16/14	6/16/14	6/16/14	6/16/14
							8	6/16/14	SMM	SMM	SMM	6/16/14	6/16/14	6/16/14	6/16/14	6/16/14	6/16/14	6/16/14	6/16/14
							9	6/16/14	SMM	SMM	SMM	6/16/14	6/16/14	6/16/14	6/16/14	6/16/14	6/16/14	6/16/14	6/16/14
							10	6/16/14	SMM	SMM	SMM	6/16/14	6/16/14	6/16/14	6/16/14	6/16/14	6/16/14	6/16/14	6/16/14

SEE SHEET 3 FOR NOTES

TITLE: UL LABELED CFMVRMX18-1000-4160-3R SOLID STATE STARTER SCHEMATIC



SCALE: N.A. SHEET 7 OF 7

SIZE: D DWG. NO. MVRXE18100041603R

REV 6