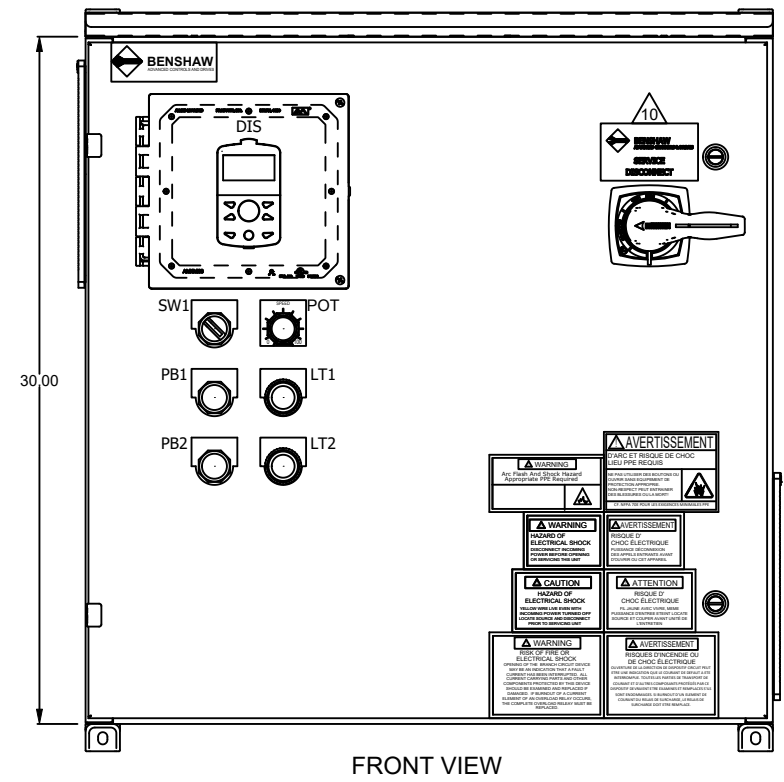
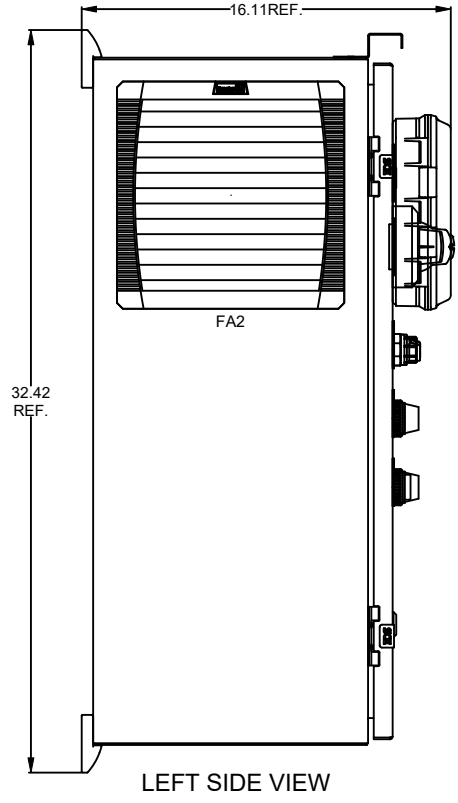
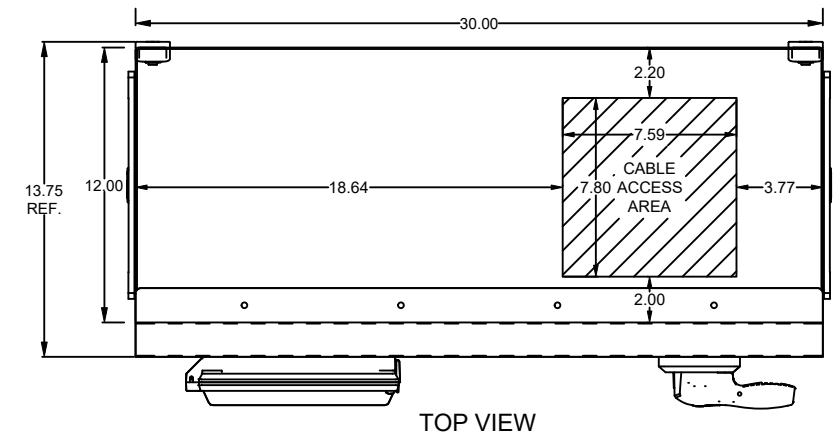


RS1025H2XHD4CBA3R ON DWG

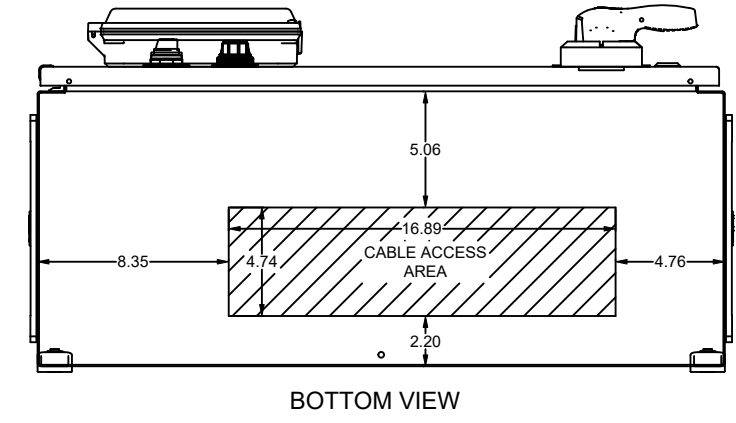
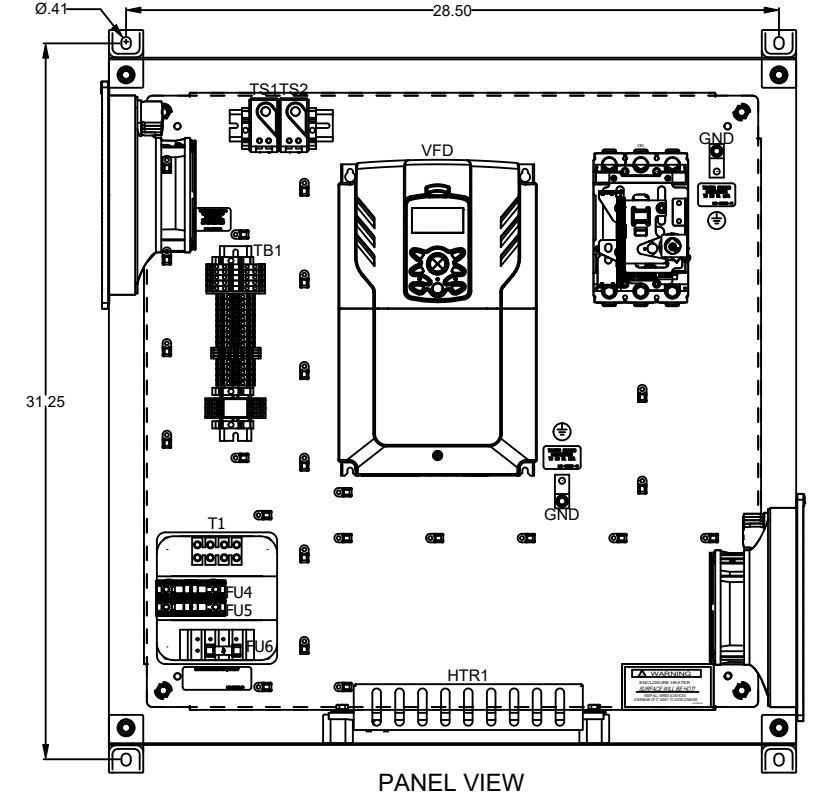
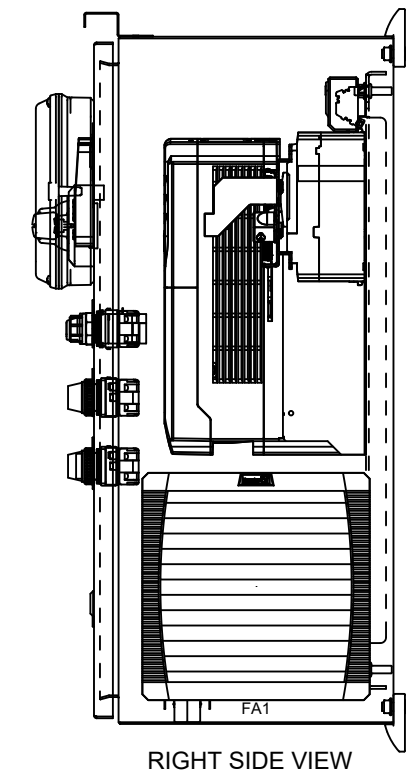
**LABEL LEGEND**

- CB1: CIRCUIT BREAKER
- DIS: VFD LCD DISPLAY/KEYPAD
- GND: GROUND LUG
- VFD: VARIABLE FREQUENCY DRIVE
- TB1: TERMINAL BLOCKS
- RO: CONTROL RELAY
- T1: CONTROL POWER TRANSFORMER
- FU4-FU5: PRIMARY FUSES (T1)
- FU6: SECONDARY FUSE (T1)
- TS1: HEATER THERMOSTAT
- TS2: FAN THERMOSTAT
- FA1: VENT FAN INTAKE
- FA2: VENT FAN EXHAUST
- SW1: HAND-OFF-AUTO SELECTOR SWITCH
- POT: SPEED POTENTIOMETER
- PB1: START PUSHBUTTON
- PB2: STOP PUSHBUTTON
- LT1: PILOT LIGHT RUN RED
- LT2: PILOT LIGHT FAULT AMBER



**NOTES:**

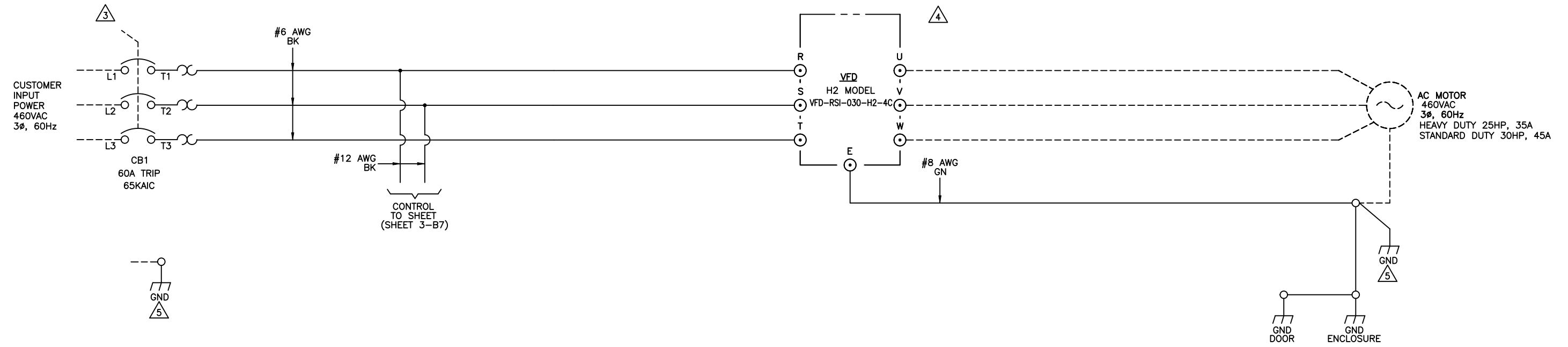
1. MINIMUM WIRE BENDING SPACE SHALL BE 3.00" FROM TOP OF CIRCUIT BREAKER POWER CONNECTION TO TOP OF ENCLOSURE.
  2. ENSURE THAT ALL RIBBON CABLES ARE ROUTED AWAY FROM POWER CONDUCTORS.
  3. MINIMUM WIRE BENDING SPACE SHALL BE 3.00" FROM OUTPUT VFD POWER CONNECTION TO TOP OR BOTTOM OF ENCLOSURE.
  4. ENCLOSURE LAYOUT IS DESIGNED FOR CABLE ENTRY/EXIT TO BE TOP/BOTTOM.
  5. ENCLOSURE IS ANSI-61 GRAY POWDER COATED INSIDE AND OUT.
  6. ENCLOSURE ENVIROMENTAL RATING IS UL TYPE 3R.
  7. UNIT SCCR IS 65KAIC.
  8. ESTIMATED WEIGHT: 170LBS.
  9. ALLOW A MINIMUM OF 4 INCHES OF SPACE ON BOTH SIDES OF THE ENCLOSURE FOR PROPER VENTILATION.
10. MOTOR CONTROLLER IS SUITABLE FOR USE AS SERVICE EQUIPMENT. IF MOTOR CONTROLLER IS GOING TO BE USED AS SERVICE EQUIPMENT, INSTALL "SERVICE DISCONNECT" LEGEND AS SHOWN. "SERVICE DISCONNECT" IS SHIPPED LOOSE WITH MOTOR CONTROLLER.



APPR: CHG BY: CHANGE:	REVISIONS DO NOT SCALE DWG	THIRD ANGLE PROJECTION THIS DRAWING AND ALL INFORMATION CONTAINED HEREIN, IS THE PROPERTY OF BENSCHAW INC. AND MAY NOT BE REPRODUCED, OR DIVULGED TO UNAUTHORIZED PERSONS WITHOUT THE EXPRESS WRITTEN CONSENT OF BENSCHAW INC. IT IS PROVIDED SOLELY FOR THE CONVENIENCE OF THE USER AND SHALL BE RETURNED UPON REQUEST.	UNLESS OTHERWISE SPECIFIED ALL DIMENSIONS IN INCHES INTERPRET DRAWING PER ASME Y14.5M-1994 TOLERANCES: .XX ± .03 .XXX ± .015 ANGLES ± 1° MATERIAL: FINISH:	<b>TITLE:</b> ENCLOSURE LAYOUT H2X VFD HEAVY DUTY 25HP 460VAC 60HZ STANDARD DUTY 30HP 460VAC 60HZ	<table border="1" style="width: 100%; border-collapse: collapse;"> <tr> <th style="width: 50%;">SIGNATURES</th> <th style="width: 50%;">DATE</th> </tr> <tr> <td>DRWN: MSN</td> <td>04/30/21</td> </tr> <tr> <td>CHKD: NIMK</td> <td>04/30/21</td> </tr> <tr> <td>ENG: MSN</td> <td>04/30/21</td> </tr> <tr> <td>MFG:</td> <td></td> </tr> <tr> <td>SIZE: D</td> <td>DWG NO.</td> </tr> </table>	SIGNATURES	DATE	DRWN: MSN	04/30/21	CHKD: NIMK	04/30/21	ENG: MSN	04/30/21	MFG:		SIZE: D	DWG NO.		615 ALPHA DRIVE PITTSBURGH, PA. 15238 550 BRIGHT STREET LISTOWEL, ONTARIO M4W 3W3
SIGNATURES	DATE																		
DRWN: MSN	04/30/21																		
CHKD: NIMK	04/30/21																		
ENG: MSN	04/30/21																		
MFG:																			
SIZE: D	DWG NO.																		
<b>RS1025H2XHD4CBA3R</b>					SCALE: 1:4	SHEET 1 OF 3													

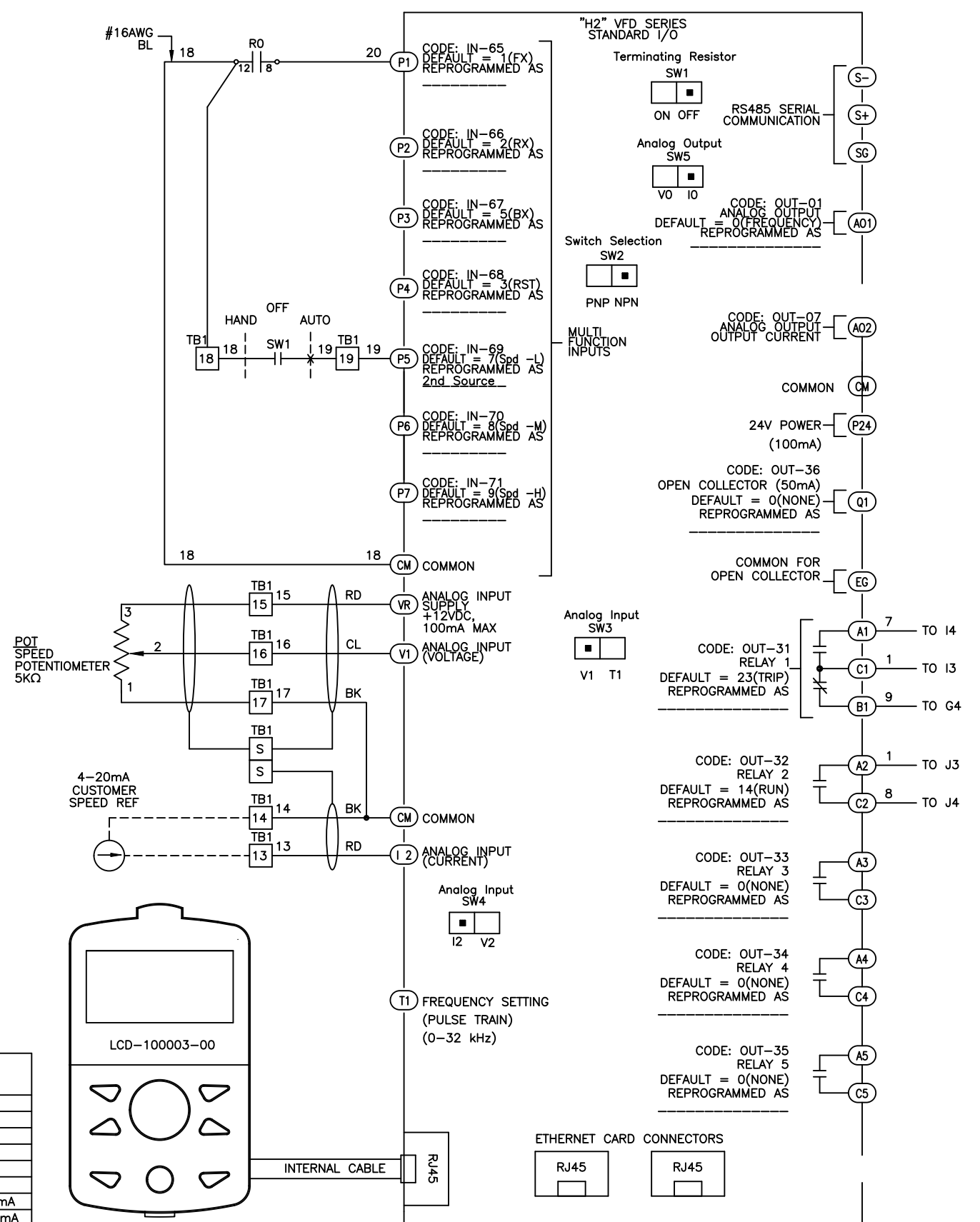
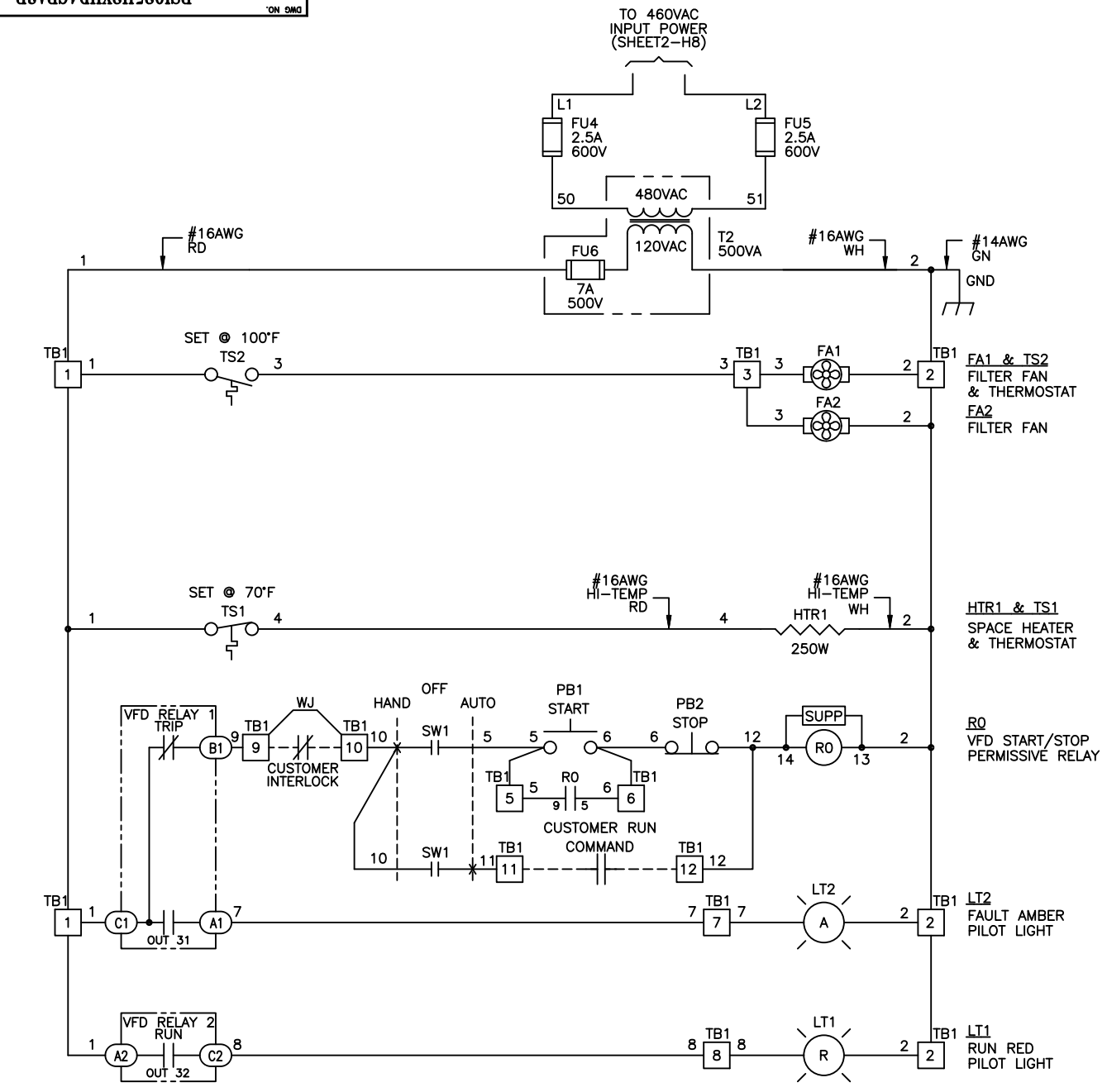
NOTES:

- 1. SIZE POWER WIRE PER NATIONAL ELECTRICAL CODE
- 2. CUSTOMER CONNECTIONS SHALL USE COPPER WIRE RATED 600V, 75°C
- 3. WIRE RANGE: 8-2/OAWG TIGHTENING TORQUE: 133.6LB-IN (15.1NM)
- 4. WIRE RANGE: 10-4AWG M5 TERMINAL TIGHTENING TORQUE: 18-21LB-IN(2.0-2.4NM)
- 5. WIRE RANGE: 14-1/OAWG M4 TERMINAL TIGHTENING TORQUE: 50LB-IN(5.65NM)



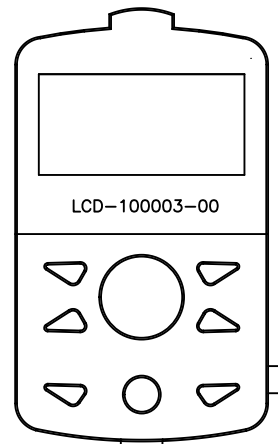
REVISIONS DO NOT SCALE DWG	THIRD ANGLE PROJECTION	UNLESS OTHERWISE SPECIFIED	TITLE:	SIGNATURES	DATE		615 ALPHA DRIVE PITTSBURGH, PA. 15238 550 BRIGHT STREET LISTOWEL, ONTARIO M4W 3W3
	THIS DRAWING AND ALL INFORMATION CONTAINED HEREIN, IS THE PROPERTY OF BENSHAW INC. AND MAY NOT BE REPRODUCED, OR DIVULGED TO UNAUTHORIZED PERSONS WITHOUT THE EXPRESS WRITTEN CONSENT OF BENSHAW INC. IT IS PROVIDED SOLELY FOR THE CONVENIENCE OF THE USER AND SHALL BE RETURNED UPON REQUEST.	ALL DIMENSIONS IN INCHES INTERPRET DRAWING PER ASME Y14.5M-1994 TOLERANCES: .XX ± .03 .XXX ± .015 ANGLES ± 1°	MATERIAL: FINISH:	POWER SCHEMATIC H2X VFD HEAVY DUTY 25HP 460VAC 60HZ STANDARD DUTY 30HP 460VAC 60HZ	DRWN: MSN 04/30/21 CHKD: NIMK 04/30/21 ENG: MSN 04/30/21 MFG:		
SCALE: NTS				SHEET 2 OF 3			

A  
B  
C  
D  
E  
F  
G  
H  
I  
J  
K  
L  
M  
N



SPECIAL PROGRAMMING

H2 MODEL VFD1, DRIVE SETTING		
CODE	SETTING	DESCRIPTION
DRV 06	1	Fx/Rx-1
DRV 07	2	V1
BAS 01	1	Fx/Rx-1
BAS 02	5	I2
IN 01	60	Freq at 100%
IN 53	4.0	I2 Minimum Input Current mA
IN 55	20.0	I2 Maximum Input Current mA
IN 56	100.0	I2 Output at Maximum Current
IN 69	17	2nd Source (P5 INPUT)



REVISIONS DO NOT SCALE DWG	THIRD ANGLE PROJECTION	UNLESS OTHERWISE SPECIFIED ALL DIMENSIONS IN INCHES INTERPRET DRAWING PER ASME Y14.5M-1994 TOLERANCES: .XX ± .03 .XXX ± .015 ANGLES ± 1°	TITLE: CONTROL SCHEMATIC H2X VFD HEAVY DUTY 25HP 460VAC 60HZ STANDARD DUTY 30HP 460VAC 60HZ	SIGNATURES DATE DRWN: MSN 04/30/21 CHKD: NIMK 04/30/21 ENGR: MSN 04/30/21 MFR:	BENS HAW 615 ALPHA DRIVE PITTSBURGH, PA. 15238 550 BRIGHT STREET LISTOWEL, ONTARIO N4W 3W3
	THIS DRAWING AND ALL INFORMATION CONTAINED HEREIN, IS THE PROPERTY OF BENS HAW INC. AND MAY NOT BE REPRODUCED, OR DULGLED TO UNAUTHORIZED PERSONS WITHOUT THE EXPRESS WRITTEN CONSENT OF BENS HAW INC. IT IS PROVIDED SOLELY FOR THE CONVENIENCE OF THE USER AND SHALL BE RETURNED UPON REQUEST.	MATERIAL: FINISH:	ETHERNET CARD CONNECTORS RJ45 RJ45	SIZE DWG NO. D	RSI025H2XHD4CBA3R REV 0