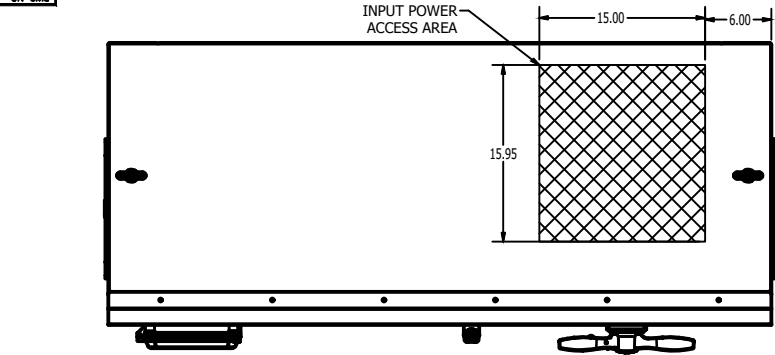


1 2 3 4 5 6 7 8 9 10 11 12 13 14 15 16 17 18 19 20 21 22 23 24 25 26 27 28

RSI400H2XHD4CBA3R



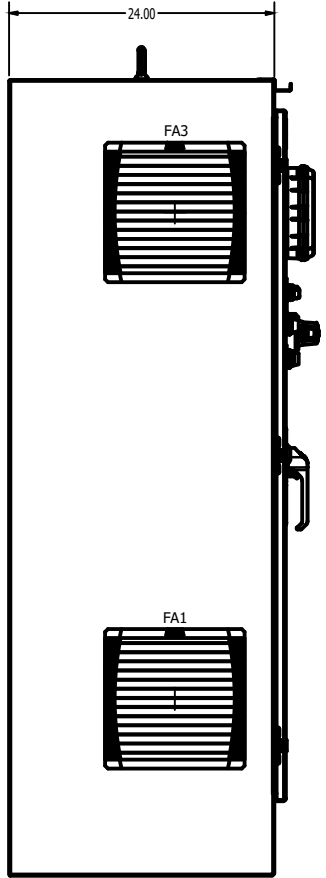
TOP VIEW

LABEL LEGEND

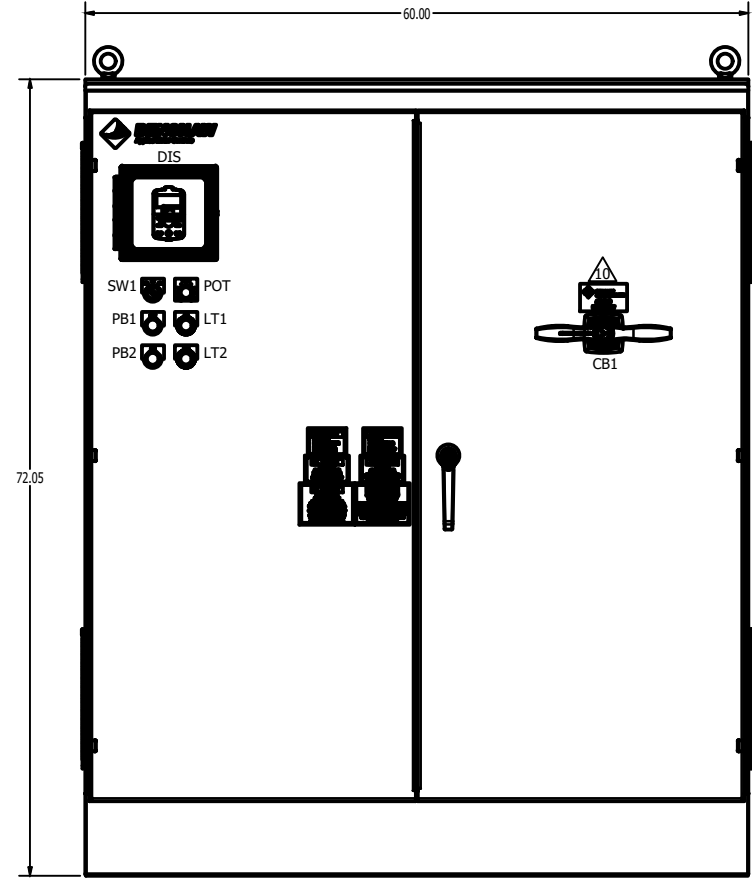
- CB1: CIRCUIT BREAKER
- DIS: VFD LCD DISPLAY/KEYPAD
- GND: GROUND LUGS
- VFD: VARIABLE FREQUENCY DRIVE
- TB1: TERMINAL BLOCKS
- R0: CONTROL RELAY
- T1: CONTROL POWER TRANSFORMER
- FU4,5: PRIMARY FUSES(T1)
- FU6: SECONDARY FUSE (T1)
- HTR1: ENCLOSURE SPACE HEATER
- TS1: HEATER THERMOSTAT
- TS2: FAN THERMOSTAT
- FA1: AIR INTAKE FAN
- FA2: AIR INTAKE FAN
- FA3: AIR EXHAUST FAN
- FA4: AIR EXHAUST FAN
- SW1: HAND-OFF-AUTO SELECTOR SWITCH
- POT: SPEED POTENTIOMETER
- PB1: START PUSHBUTTON
- PB2: STOP PUSHBUTTON
- LT1: PILOT LIGHT RUN RED
- LT2: PILOT LIGHT FAULT AMBER

NOTES:

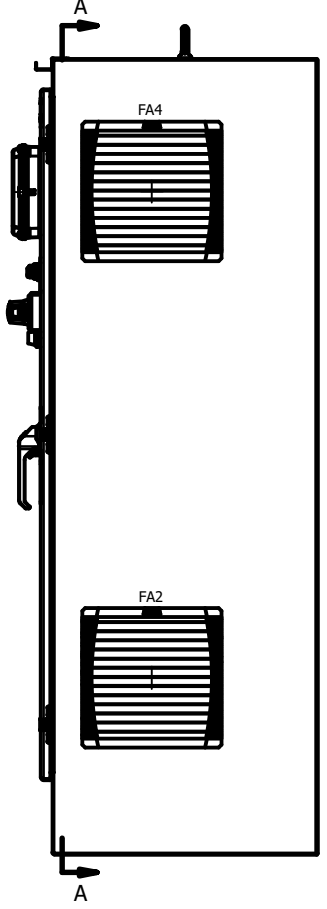
1. MINIMUM WIRE BENDING SPACE SHALL BE 14.00" FROM TOP OF CIRCUIT BREAKER POWER CONNECTION TO TOP OF ENCLOSURE.
 2. ENSURE THAT ALL RIBBON CABLES ARE ROUTED AWAY FROM POWER CONDUCTORS.
 3. MINIMUM WIRE BENDING SPACE SHALL BE 14.00" FROM OUTPUT VFD POWER CONNECTION TO TOP OR BOTTOM OF ENCLOSURE.
 4. ENCLOSURE LAYOUT IS DESIGNED FOR CABLE ENTRY/EXIT TO BE TOP/BOTTOM.
 5. ENCLOSURE IS ANSI-61 GRAY POWDER COATED INSIDE AND OUT.
 6. ENCLOSURE ENVIROMENTAL RATING IS UL TYPE 3R.
 7. UNIT SCCR IS 65KAIC.
 8. ESTIMATED WEIGHT: 1250LBS.
 9. ALLOW A MINIMUM OF 6 INCHES OF SPACE ON BOTH SIDES OF THE ENCLOSURE FOR PROPER VENTILATION.
- ⚠️ MOTOR CONTROLLER IS SUITABLE FOR USE AS SERVICE EQUIPMENT. IF MOTOR CONTROLLER IS GOING TO BE USED AS SERVICE EQUIPMENT, INSTALL "SERVICE DISCONNECT" LEGEND AS SHOWN. "SERVICE DISCONNECT" IS SHIPPED LOOSE WITH MOTOR CONTROLLER.



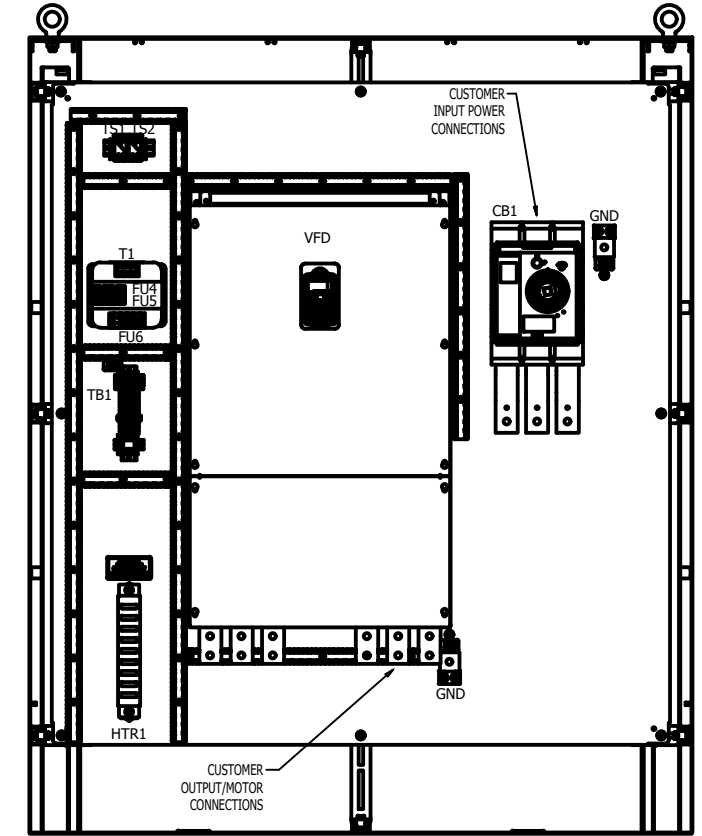
LEFT SIDE VIEW



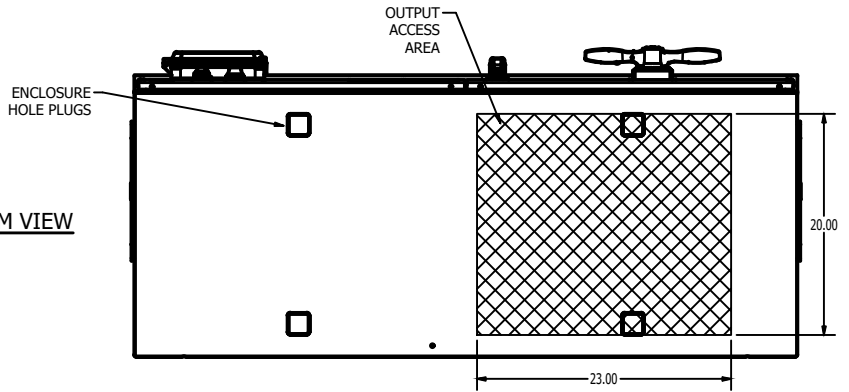
FRONT VIEW



RIGHT SIDE VIEW



PANEL VIEW SECTION A-A



BOTTOM VIEW

REVISIONS	DO NOT SCALE DWG	THIRD ANGLE PROJECTION	UNLESS OTHERWISE SPECIFIED
			ALL DIMENSIONS IN INCHES INTERPRET DRAWING PER ASME Y14.5M-1994
			TOLERANCES: .XX ± .03 .XXX ± .015 ANGLES ± 1°
			MATERIAL: FINISH:

TITLE:
ENCLOSURE LAYOUT
H2X VFD
HEAVY DUTY
400HP 460VAC 60HZ
STANDARD DUTY
500HP 460VAC 60HZ

SIGNATURES	DATE
DRWN: MSN	05/13/22
CHD: NMK	05/13/22
ENG: MSN	05/13/22
MFG:	
SIZE	DWG NO.
D	

BENSHAW

RSI400H2XHD4CBA3R

615 ALPHA DRIVE
PITTSBURGH, PA. 15238
550 BRIGHT STREET
LISTOWEL, ONTARIO
M4W 3W5

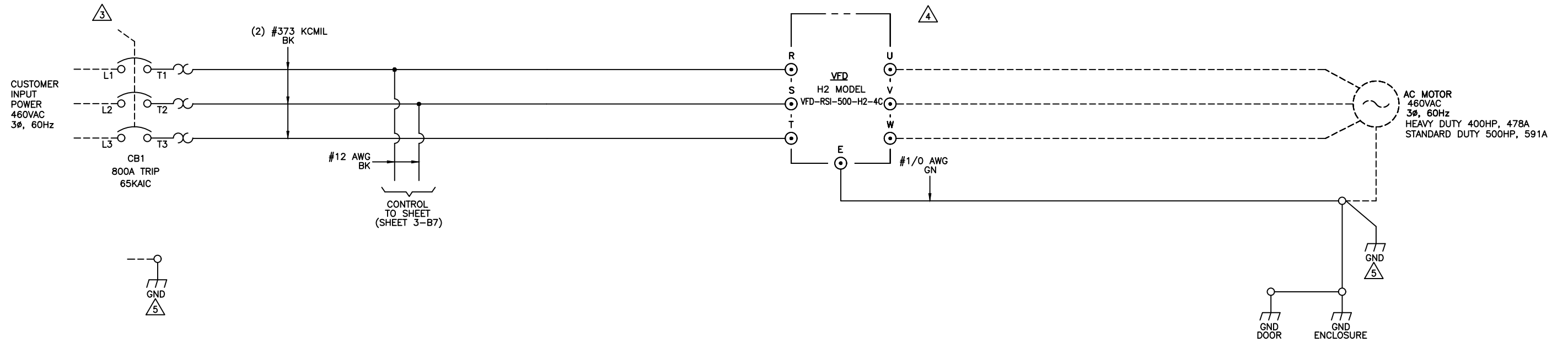
SCALE: 1:8 SHEET 1 OF 3

REV 0

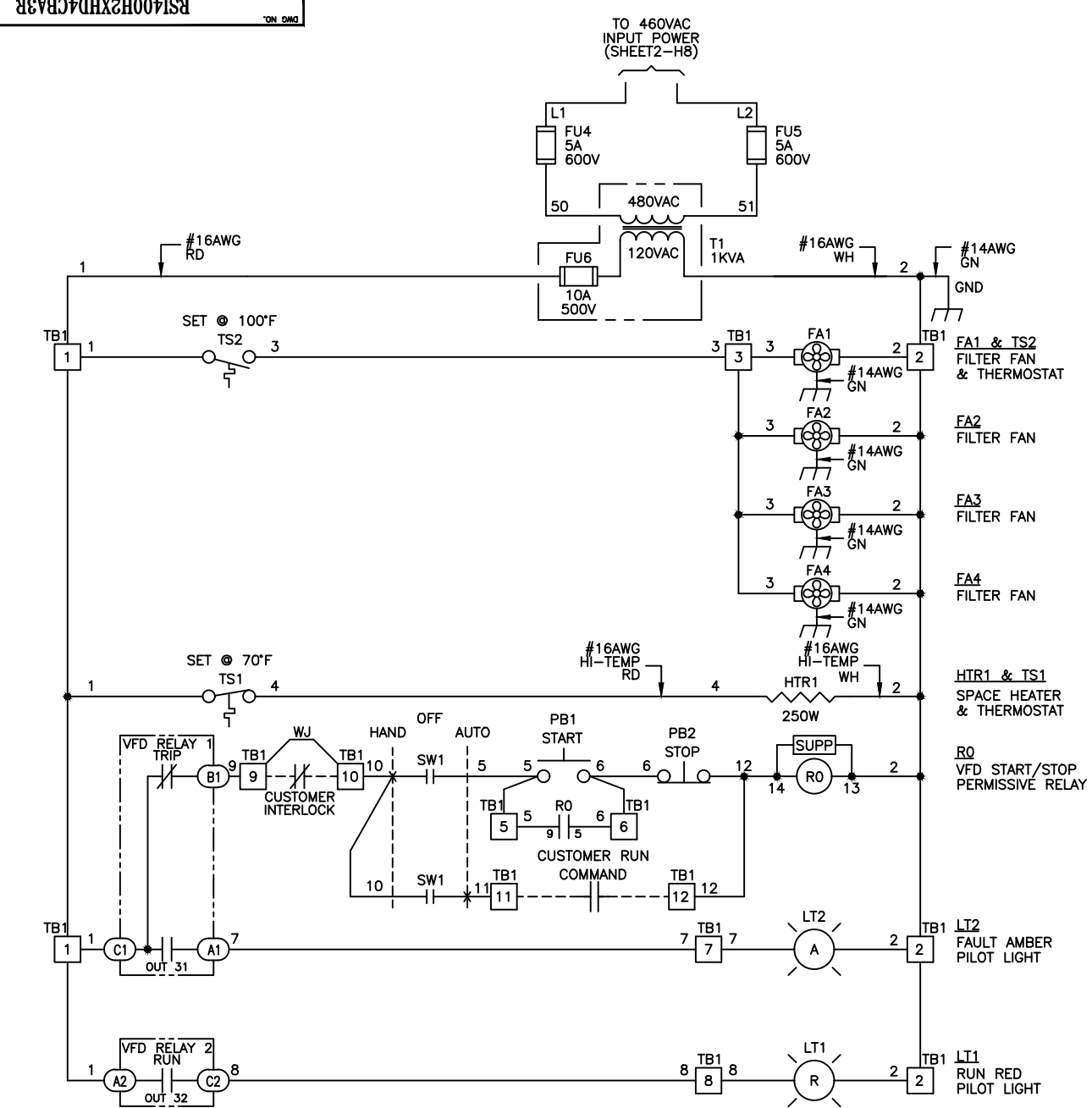
RSI400H2XHD4CBA3R

NOTES:

1. SIZE POWER WIRE PER NATIONAL ELECTRICAL CODE
2. CUSTOMER CONNECTIONS SHALL USE COPPER WIRE RATED 600V, 75°C
3. WIRE SIZE RANGE: (3) 3/0-300KCMIL TIGHTENING TORQUE: 398.3LB-IN (45Nm)
4. WIRE RANGE: 2" WIDE BUS TAB, NEMA 2-HOLE, 1/2" STUD TIGHTENING TORQUE: 500LB-IN(56.5NM)
5. WIRE RANGE: (2) 6-350KCMIL TIGHTENING TORQUE: 275LB-IN(31.07NM)

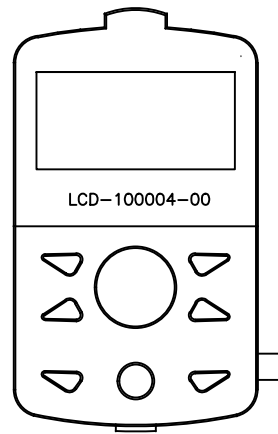
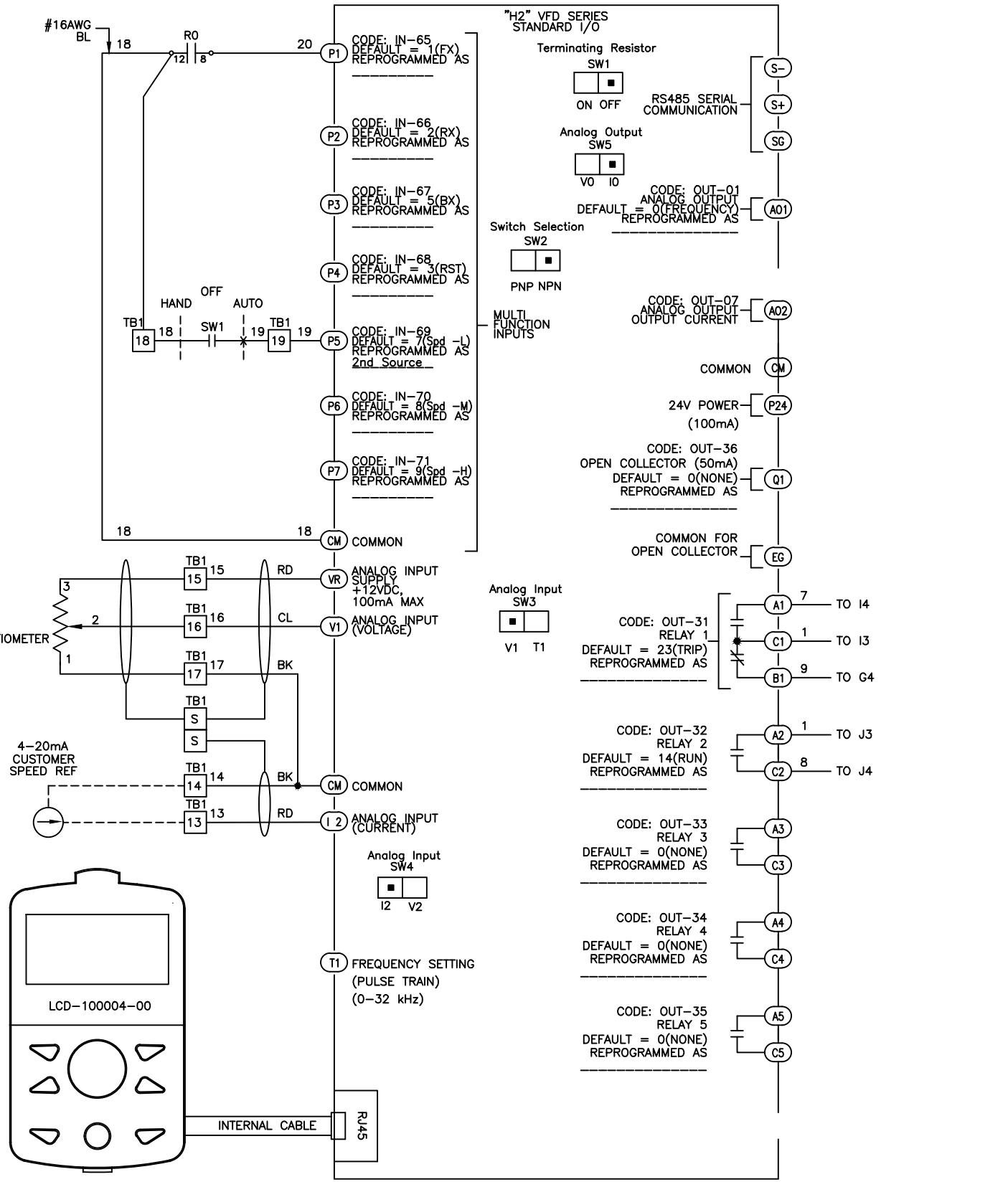


REVISIONS DO NOT SCALE DWG	THIRD ANGLE PROJECTION	UNLESS OTHERWISE SPECIFIED ALL DIMENSIONS IN INCHES INTERPRET DRAWING PER ASME Y14.5M-1994 TOLERANCES: .XX ± .03 .XXX ± .015 ANGLES ± 1° MATERIAL: FINISH:	TITLE: POWER SCHEMATIC H2X VFD HEAVY DUTY 400HP 460VAC 60HZ STANDARD DUTY 500HP 460VAC 60HZ	SIGNATURES DRWN: MSN 05/13/22 CHKD: NMK 05/13/22 ENG: MSN 05/13/22 MFG:	DATE 05/13/22 05/13/22 05/13/22	<p>615 ALPHA DRIVE PITTSBURGH, PA. 15238 550 BRIGHT STREET LISTOWEL, ONTARIO M4W 3W5</p>	
	THIS DRAWING AND ALL INFORMATION CONTAINED HEREIN IS THE PROPERTY OF BENSHAW INC. AND MAY NOT BE REPRODUCED, OR DIVULGED TO UNAUTHORIZED PERSONS WITHOUT THE EXPRESS WRITTEN CONSENT OF BENSHAW INC. IT IS PROVIDED SOLELY FOR THE CONVENIENCE OF THE USER AND SHALL BE RETURNED UPON REQUEST.		SIZE D	DWG NO. RSI400H2XHD4CBA3R	REV 0		
			SCALE: NTS	SHEET 2 OF 3			



SPECIAL PROGRAMMING

H2 MODEL VFD1, DRIVE SETTING		
CODE	SETTING	DESCRIPTION
DRV 06	1	Fx/Rx-1
DRV 07	2	V1
BAS 01	1	Fx/Rx-1
BAS 02	5	I2
IN 01	60	Freq at 100%
IN 53	4.0	I2 Minimum Input Current mA
IN 55	20.0	I2 Maximum Input Current mA
IN 56	100.0	I2 Output at Maximum Current
IN 69	17	2nd Source (P5 INPUT)
Cnfc 61	No	Run Quickstart



REVISIONS DO NOT SCALE DWG	THIRD ANGLE PROJECTION	UNLESS OTHERWISE SPECIFIED ALL DIMENSIONS IN INCHES INTERPRET DRAWING PER ASME Y14.5M-1994 TOLERANCES: .XX ± .03 .XXX ± .015 ANGLES ± 1° MATERIAL: FINISH:	TITLE: CONTROL SCHEMATIC H2X VFD HEAVY DUTY 400HP 460VAC 60HZ STANDARD DUTY 500HP 460VAC 60HZ	SIGNATURES DATE DRWN: MSN 05/13/22 CHD: NMK 05/13/22 ENG: MSN 05/13/22 MFG:	615 ALPHA DRIVE PITTSBURGH, PA. 15238 550 BRIGHT STREET LISTOWEL, ONTARIO M4W 3W5
	THIS DRAWING AND ALL INFORMATION CONTAINED HEREIN IS THE PROPERTY OF BENSHAW INC., AND MAY NOT BE REPRODUCED, OR DIVULGED TO UNAUTHORIZED PERSONS WITHOUT THE EXPRESS WRITTEN CONSENT OF BENSHAW INC. IT IS PROVIDED SOLELY FOR THE CONVENIENCE OF THE USER AND SHALL BE RETURNED UPON REQUEST.		SCALE: NTS	REV 0	
	SIZE DWG NO. D		RSI400H2XHD4CBA3R	SHEET 3 OF 3	
	SHEET 3 OF 3				