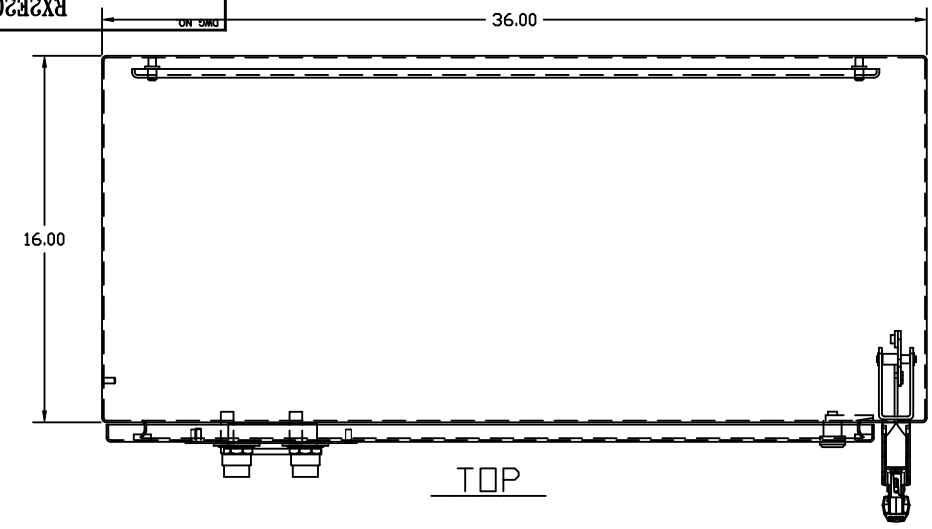


A
B
C
D
E
F
G
H
I
J
K
L
M
N

RX2E2004803RKP



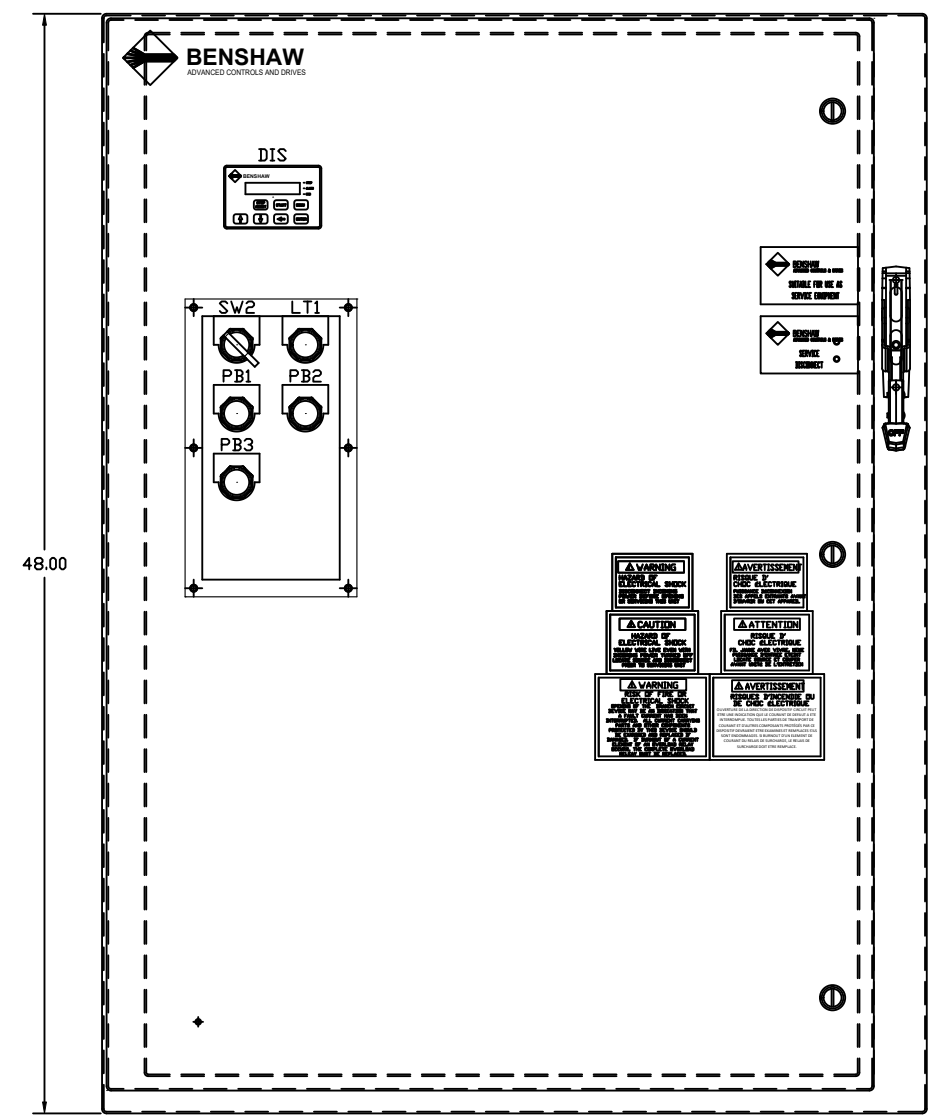
TOP

NOTES:

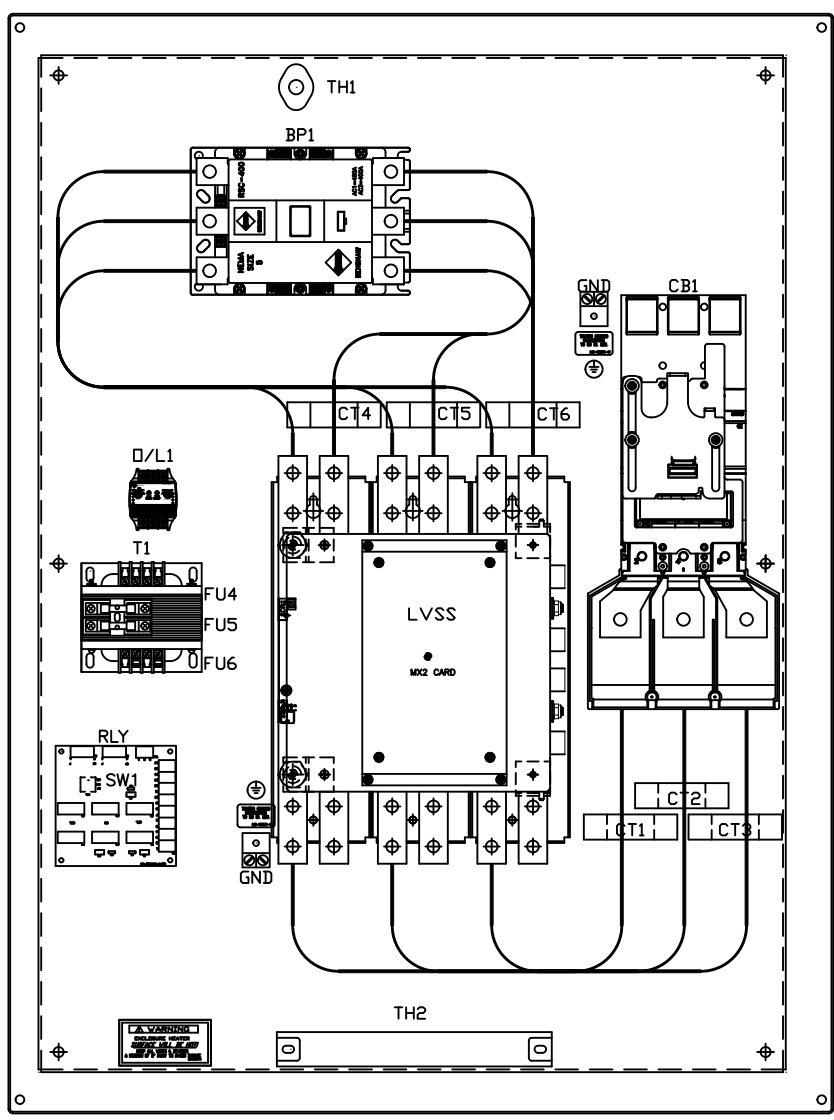
- 1 MINIMUM WIRE BENDING SPACE SHALL BE 10.00" FROM TOP OF CIRCUIT BREAKER POWER CONNECTION TO TOP OF ENCLOSURE.
- 2 ENSURE THAT ALL RIBBON CABLES ARE ROUTED AWAY FROM POWER CONDUCTORS.
- 3 MINIMUM WIRE BENDING SPACE SHALL BE 10.00" FROM BOTTOM OF POWERSTACK POWER CONNECTION TO BOTTOM OF ENCLOSURE.
- 4 ENCLOSURE LAYOUT IS DESIGNED FOR CABLE ENTRY/EXIT TO BE TOP/BOTTOM.

LEGEND

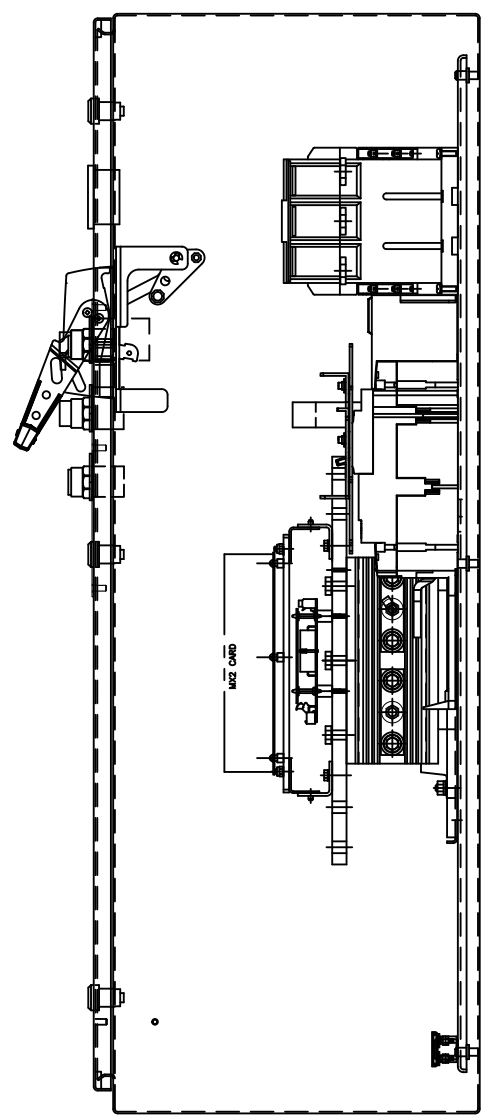
- | | | | |
|--------|------------------------------|------|------------------------------|
| CB1: | CIRCUIT BREAKER | DIS: | DOOR MOUNTED KEYPAD |
| GND: | GROUND LUGS | PB1: | START PUSHBUTTON |
| LVSS: | RB2 POWER STACK | PB2: | STOP PUSHBUTTON |
| CT1-3: | CONTROL CARD CT'S | PB3: | RESET PUSHBUTTON |
| BP1: | ATL/BYPASS CONTACTOR | SW2: | LOCAL-OFF-REMOTE SEL. SWITCH |
| O/L1: | OVERLOAD RELAY | LT1: | RUNNING PILOT LIGHT |
| RLY: | SS-ATL RELAY CARD | | |
| SW1: | SS-OFF-ATL SEL. SWITCH (RLY) | | |
| PS1: | PINSTRIP (3 POINT) | | |
| T1: | CONTROL POWER TRANSFORMER | | |
| FU4-5: | PRIMARY FUSING (T1) | | |
| FU6: | SECONDARY FUSE (T1) | | |
| TH1: | THERMOSTAT | | |
| TH2: | SPACE HEATER | | |



FRONT



PANEL

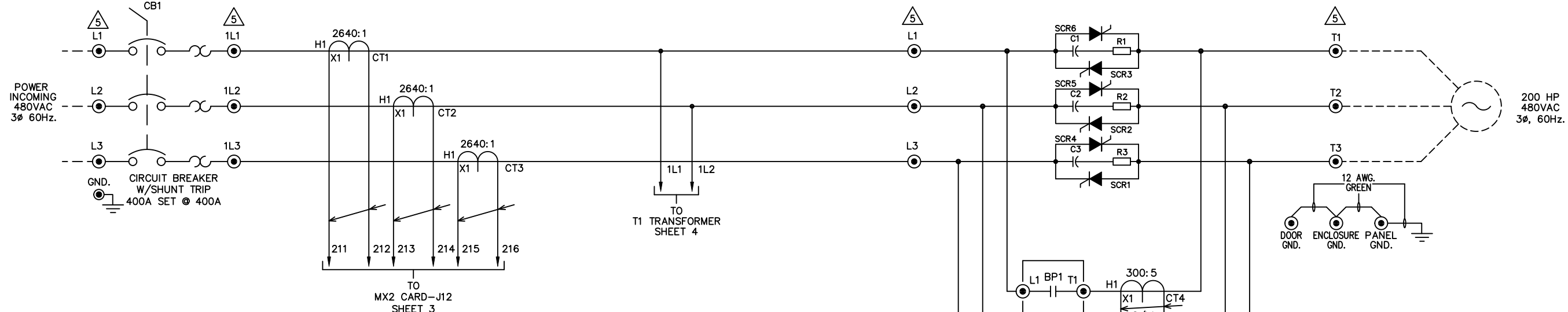


RIGHT SIDE

13	APPRD: BDA 7/24/18 CHG BY: BDA 7/24/18 CHANGE: CHANGED TO 3VA BREAKER	12	E-4105 APPRD: AES 2/25/13 CHG BY: BDA 2/25/13 CHANGE: CHANGED REVISION CONNECTION DIAGRAM & RELAY CARD NUMBER SHEET 3	11	E-3930 APPRD: AES 11/12/12 CHG BY: BDA 11/12/12 CHANGE: CHANGED BREAKER TO SENTRON	10	E3796 APPRD: JAF 8/14/12 CHG BY: BDA 8/14/12 CHANGE: REVISED PER WAVE PROJECT. REV TO INITIAL RELEASE	<p>THIRD ANGLE PROJECTION</p> <p>UNLESS OTHERWISE SPECIFIED ALL DIMENSIONS IN INCHES INTERPRET DRAWING PER ASME Y14.5M-1994</p> <p>TOLERANCES: .XX ± .03 .XXX ± .015 ANGLES ± 1°</p> <p>MATERIAL: FINISH:</p>	<p>TITLE: ENCLOSURE LAYOUT RX2E-200-480-3RKP 200HP (240 AMPS) @ 480V (500% CURRENT FOR 30SECONDS, 125% CONTINUOUS DUTY RATED)</p>	<table border="1"> <tr> <th>SIGNATURES</th> <th>DATE</th> </tr> <tr> <td>DRWN: BDA</td> <td>8/14/12</td> </tr> <tr> <td>CHKD: JAF</td> <td>8/14/12</td> </tr> <tr> <td>ENGR: JAF</td> <td>8/14/12</td> </tr> <tr> <td>MFG:</td> <td></td> </tr> <tr> <td>SIZE: D</td> <td>DWG NO.</td> </tr> </table>	SIGNATURES	DATE	DRWN: BDA	8/14/12	CHKD: JAF	8/14/12	ENGR: JAF	8/14/12	MFG:		SIZE: D	DWG NO.	<p>615 ALPHA DRIVE PITTSBURGH, PA. 15238</p> <p>550 BRIGHT STREET LUSTOWEL, ONTARIO M4W 3W3</p>
SIGNATURES	DATE																						
DRWN: BDA	8/14/12																						
CHKD: JAF	8/14/12																						
ENGR: JAF	8/14/12																						
MFG:																							
SIZE: D	DWG NO.																						
<p>THIS DRAWING AND ALL INFORMATION CONTAINED HEREIN, IS THE PROPERTY OF BENSCHAW INC. AND MAY NOT BE REPRODUCED, OR DIVULGED TO UNAUTHORIZED PERSONS WITHOUT THE EXPRESS WRITTEN CONSENT OF BENSCHAW INC. IT IS PROVIDED SOLELY FOR THE CONVENIENCE OF THE USER AND SHALL BE RETURNED UPON REQUEST.</p>								<p>SCALE: 1:4</p>	<p>REV 13</p>	<p>SHEET 1 OF 4</p>													

RX2E2004803RKP ON DWG

A
B
C
D
E
F
G
H
I
J
K
L
M
N



- NOTES**
1. FAILSAFE FAULT RELAY SHOWN IN DE-ENERGIZED STATE. RELAY WILL ENERGIZE WHEN CONTROL POWER IS APPLIED TO CONTROL CARD, AND WILL REMAIN ENERGIZED WHEN NO FAULTS ARE PRESENT. RELAY WILL DE-ENERGIZE WHEN A FAULT OCCURS, OR IF CONTROL POWER IS REMOVED FROM THE CARD
 2. REFER TO INSTRUCTION MANUAL FOR STARTER CONFIGURATION.
 3. CUSTOMER SHOULD MONITOR GENERAL FAULT CONTACTS OF RELAY (R3) FOR FAULT DETECTION, AND REMOVE 2 WIRE RUN COMMAND WHEN A FAULT IS DETECTED.
 4. TIGHTEN CARD WIRING CONNECTIONS TO 2.7-3.5 in. lbs. (0.3-0.4 N-m).
 5. TIGHTEN POWER LUG FIELD WIRING CONNECTIONS TO CHART 1. SPECIFICATIONS. IF BREAKER IS SUPPLIED ON LINE SIDE OF STACK USE TORQUE VALUES ON BREAKER.
 6. REMOVE JUMPER WHEN INTERLOCKS ARE INSTALLED.
 7. SELECT EITHER TWO OR THREE WIRE CONTROL.
 8. STARTER SHIPPED SETUP FOR CUSTOMER SUPPLIED REMOTE 2 WIRE CONTROL. IF NO CONTROL IS TO BE USED THEN JUMPERS SHOULD REMAIN AS SHOWN.
 9. IF CUSTOMER SUPPLIED REMOTE 3 WIRE CONTROL IS NEEDED MAKE CUSTOMER CONNECTIONS AS SHOWN.
 10. CHANGE P49 (DI2) TO "FR" (FAULT RESET)
 11. SW1-1: (ANALOG INPUT) UP = CURRENT, DOWN = VOLTAGE
SW1-2: (ANALOG OUTPUT) UP = VOLTAGE, DOWN = CURRENT
 12. PROGRAM (P78), FUN (03), CT RATIO = 2640:1

- STANDARD LEGEND**
- WIRE NODE SYMBOL MAY HAVE TERMINAL BLOCK
 - BENSCHAW SUPPLIED TERMINAL BLOCK
 - TERMINAL STRIP
 - POWER CONNECTION
 - PC BOARD TERMINALS
 - TWISTED PAIR
 - TWISTED SHIELDED PAIR
 - SHIELDED WIRE
 - FIELD WIRING

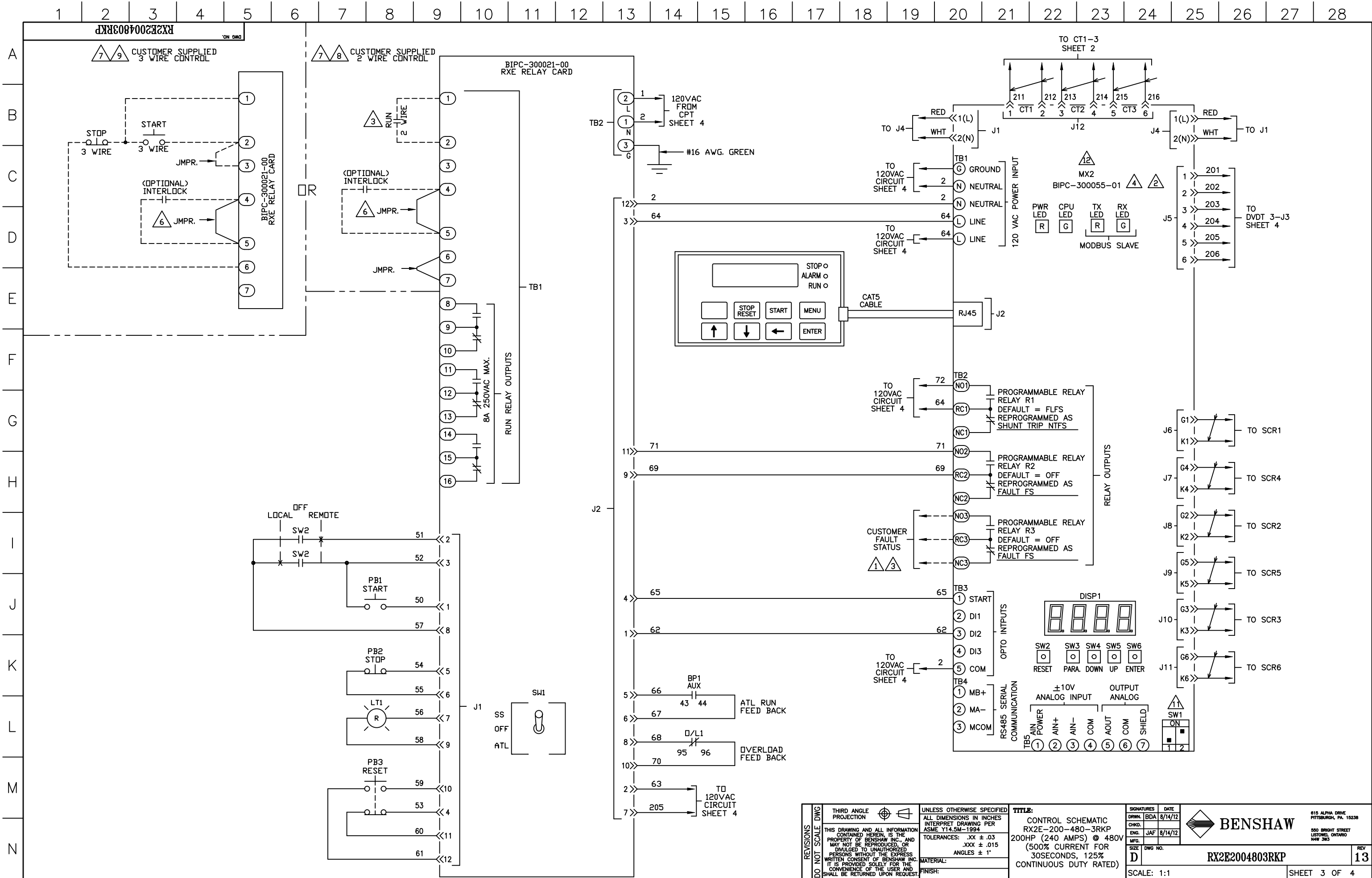
CHART 1

TIGHTENING TORQUE SPECIFICATIONS FOR HEX HEAD SCREWS

BOLT SIZE	BOLTS - GRADE 5	GRADE 5
SAE	(IN. LB)	(FT. LB)
1/4	96-120	8-10
5/16	180-228	15-19
3/8	300-396	25-33
7/16	480-648	40-54
1/2	720-936	60-78

REVISIONS DO NOT SCALE DWG	THIRD ANGLE PROJECTION	UNLESS OTHERWISE SPECIFIED ALL DIMENSIONS IN INCHES INTERPRET DRAWING PER ASME Y14.5M-1994	TITLE: POWER SCHEMATIC RX2E-200-480-3RKP 200HP (240 AMPS) @ 480V (500% CURRENT FOR 30SECONDS, 125% CONTINUOUS DUTY RATED)	SIGNATURES DRWN: BDA 8/14/12 CHKD: ENG: JAF 8/14/12 MFG: SIZE: D DWG NO.:	DATE 8/14/12	BENSCHAW 815 ALPHA DRIVE PITTSBURGH, PA. 15238 550 BRIGHT STREET LISTOWEL, ONTARIO M4W 3W5
	THIS DRAWING AND ALL INFORMATION CONTAINED HEREIN, IS THE PROPERTY OF BENSCHAW INC. AND MAY NOT BE REPRODUCED, OR DIVULGED TO UNAUTHORIZED PERSONS WITHOUT THE EXPRESS WRITTEN CONSENT OF BENSCHAW INC. IT IS PROVIDED SOLELY FOR THE CONVENIENCE OF THE USER AND SHALL BE RETURNED UPON REQUEST.	TOLERANCES: .XX ± .03 .XXX ± .015 ANGLES ± 1°		MATERIAL: FINISH:	REV 13	

SCALE: 1:1 SHEET 2 OF 4

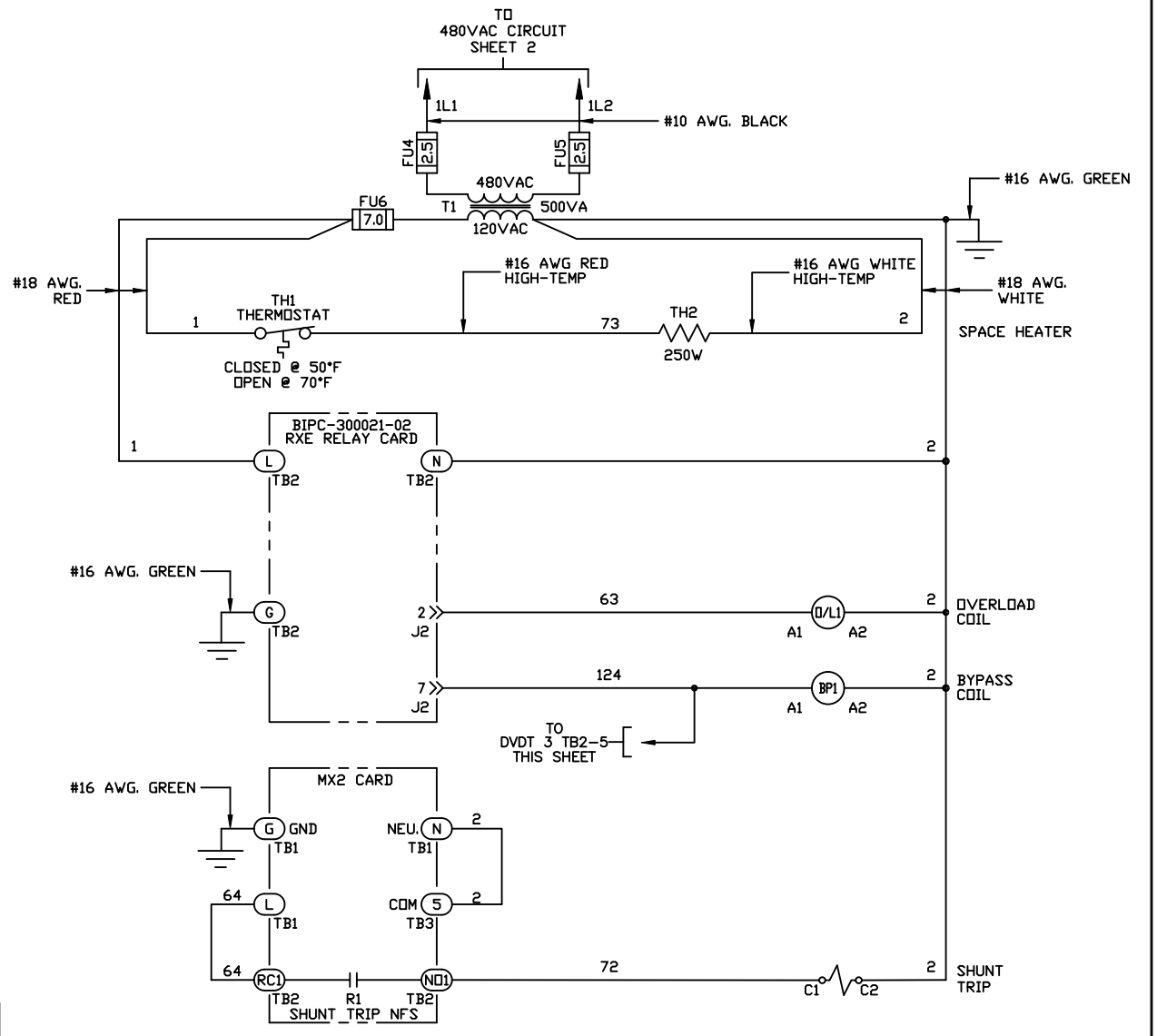
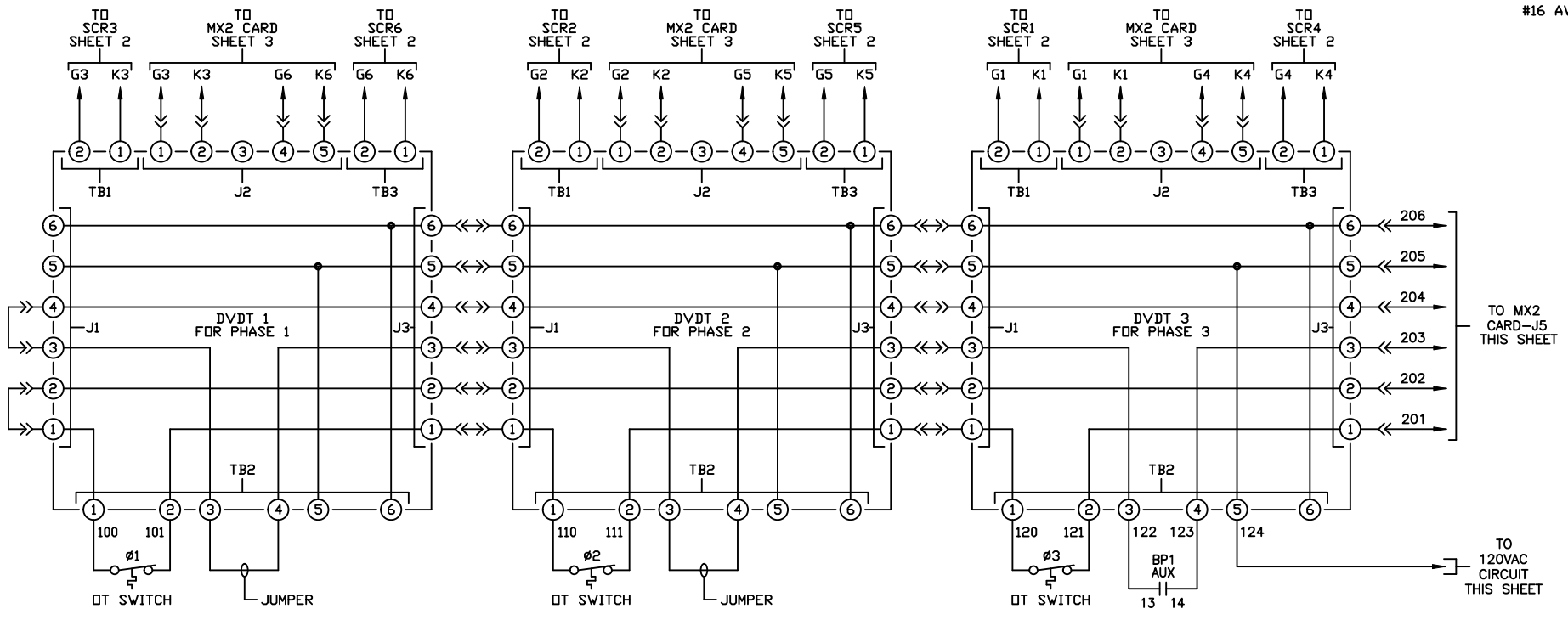
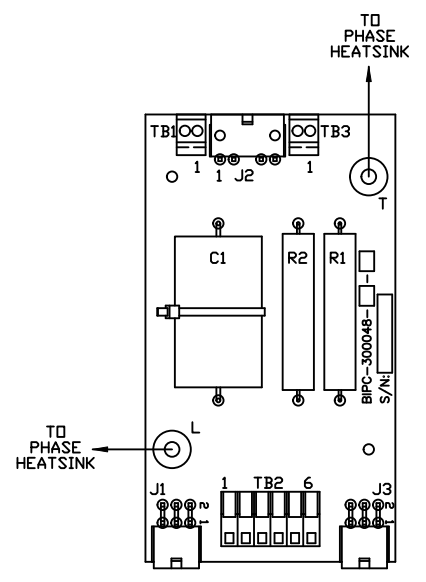


REVISIONS DO NOT SCALE DWG	THIRD ANGLE PROJECTION	UNLESS OTHERWISE SPECIFIED ALL DIMENSIONS IN INCHES INTERPRET DRAWING PER ASME Y14.5M-1994	TITLE: CONTROL SCHEMATIC RX2E-200-480-3RKP 200HP (240 AMPS) @ 480V (500% CURRENT FOR 30SECONDS, 125% CONTINUOUS DUTY RATED)	DRWN: BDA	DATE: 8/14/12		
	THIS DRAWING AND ALL INFORMATION CONTAINED HEREIN, IS THE PROPERTY OF BENSCHAW INC. AND MAY NOT BE REPRODUCED, OR DIVULGED TO UNAUTHORIZED PERSONS WITHOUT THE EXPRESS WRITTEN CONSENT OF BENSCHAW INC. IT IS PROVIDED SOLELY FOR THE CONVENIENCE OF THE USER AND SHALL BE RETURNED UPON REQUEST.			TOLERANCES: .XX ± .03 .XXX ± .015 ANGLES ± 1°	CHKD: JAF	DATE: 8/14/12	
				MATERIAL:	MFG:	SIZE: D	DWG NO.:
				FINISH:			

BENSCHAW 815 ALPHA DRIVE PITTSBURGH, PA. 15238 550 BRIGHT STREET LISTOWEL, ONTARIO M4W 3W5		REV 13 RX2E2004803RKP
SCALE: 1:1		SHEET 3 OF 4

RX2E2004803RKP ON DWG

A
B
C
D
E
F
G
H
I
J
K
L
M
N



REVISIONS DO NOT SCALE DWG	THIRD ANGLE PROJECTION	UNLESS OTHERWISE SPECIFIED ALL DIMENSIONS IN INCHES INTERPRET DRAWING PER ASME Y14.5M-1994 TOLERANCES: .XX ± .03 .XXX ± .015 ANGLES ± 1° MATERIAL: FINISH:	TITLE: CONTROL SCHEMATIC RX2E-200-480-3RKP 200HP (240 AMPS) @ 480V (500% CURRENT FOR 30SECONDS, 125% CONTINUOUS DUTY RATED)	SIGNATURES DRWN: BDA CHKD: ENG: JAF MFG: DATE: 8/14/12	BENS ^H AW 615 ALPHA DRIVE PITTSBURGH, PA. 15238 550 BRIGHT STREET LISTOWEL, ONTARIO M4W 3W5	
	THIS DRAWING AND ALL INFORMATION CONTAINED HEREIN, IS THE PROPERTY OF BENS ^H AW INC. AND MAY NOT BE REPRODUCED, OR DIVULGED TO UNAUTHORIZED PERSONS WITHOUT THE EXPRESS WRITTEN CONSENT OF BENS ^H AW INC. IT IS PROVIDED SOLELY FOR THE CONVENIENCE OF THE USER AND SHALL BE RETURNED UPON REQUEST.			SIZE: D DWG NO.: REV: 13		
	TO MX2 CARD-SHEET 2 TO MX2 CARD-SHEET 3 TO SCR3-SHEET 2 TO SCR2-SHEET 2 TO SCR5-SHEET 2 TO SCR1-SHEET 2 TO MX2 CARD-SHEET 3 TO SCR4-SHEET 2			SCALE: 1:1 SHEET 4 OF 4		
	TO PHASE HEATSINK TO PHASE HEATSINK TO 480VAC CIRCUIT SHEET 2 TO 120VAC CIRCUIT THIS SHEET					