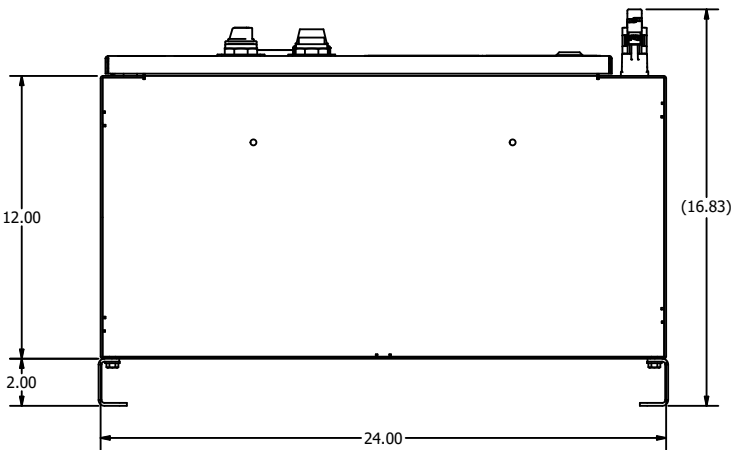
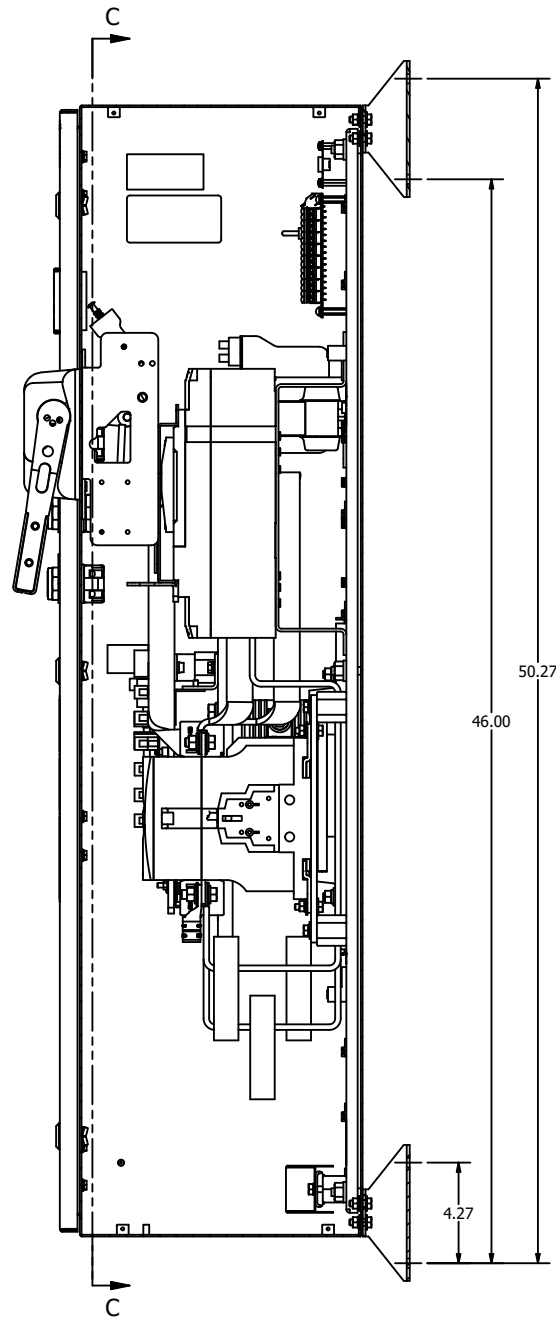
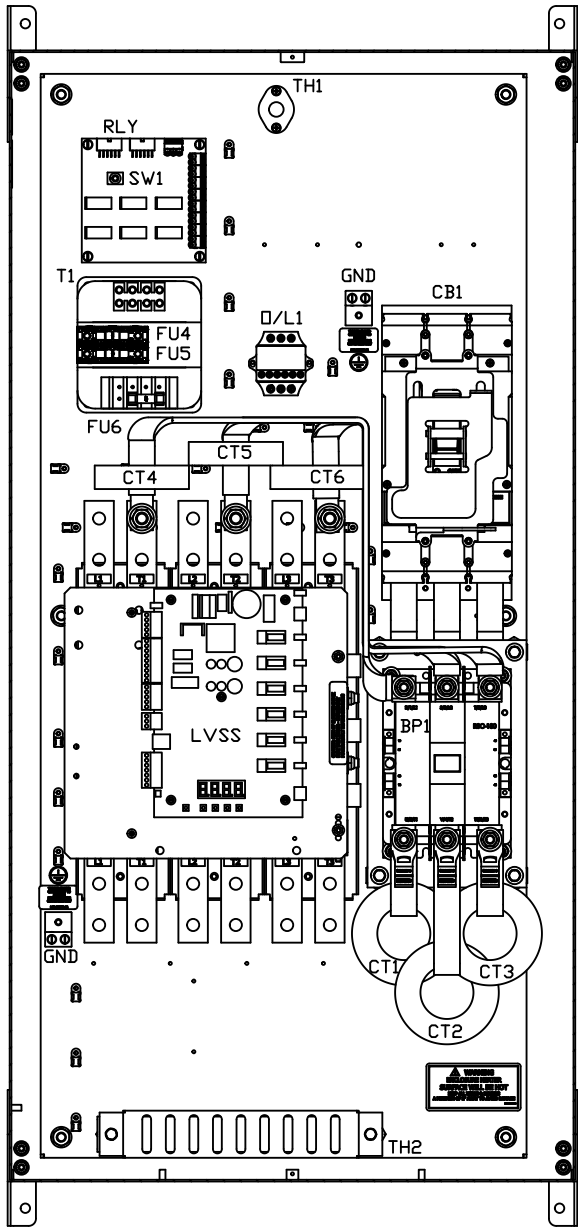
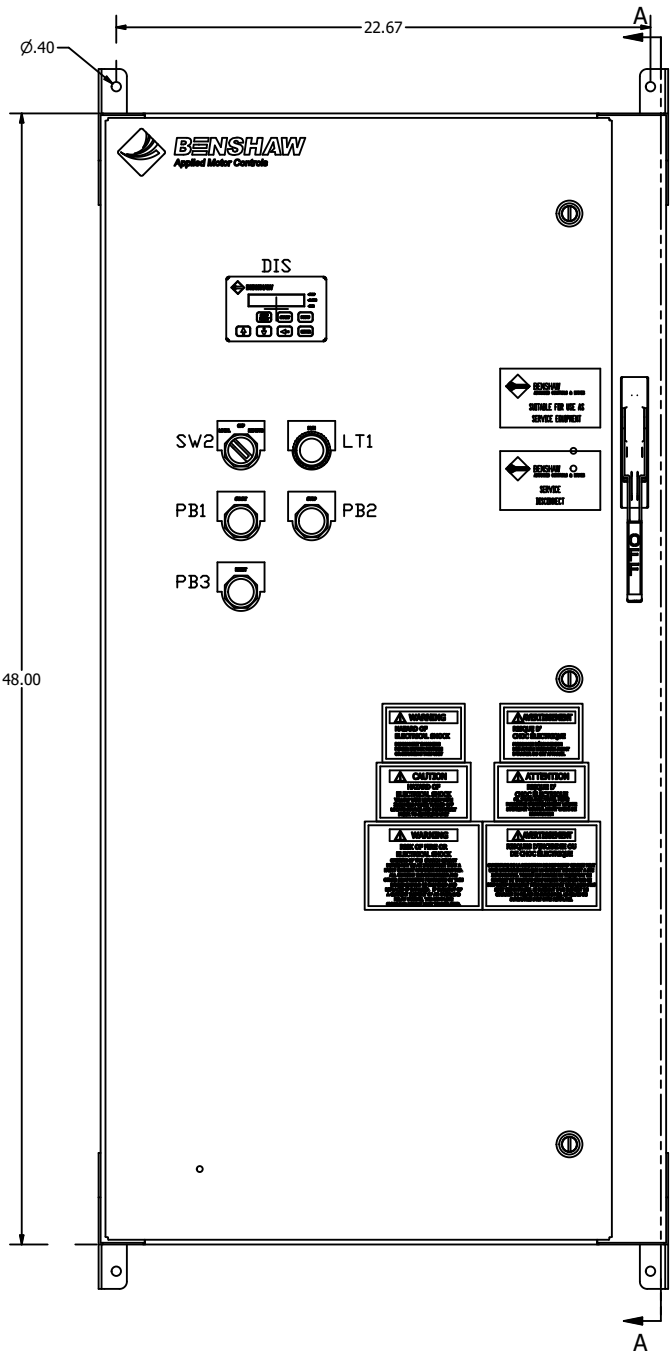


RX2E1254803RKP ON DWG



SECTION C-C SCALE 1/4

SECTION A-A SCALE 1/4

LEGEND

- | | |
|-----------------------------------|-----------------------------------|
| CB1: CIRCUIT BREAKER | DIS: DOOR MOUNTED KEYPAD |
| GND: GROUND LUGS | PB1: START PUSHBUTTON |
| LVSS: RB2 POWER STACK | PB2: STOP PUSHBUTTON |
| CT1-3: CONTROL CARD CT'S | PB3: RESET PUSHBUTTON |
| BP1: ATL/BYPASS CONTACTOR | SW2: LOCAL-OFF-REMOTE SEL. SWITCH |
| D/L1: OVERLOAD RELAY | LT1: RUNNING PILOT LIGHT |
| RLY: SS-ATL RELAY CARD | |
| SW1: SS-OFF-ATL SEL. SWITCH (RLY) | |
| PS1: PINSTRIP (3 POINT) | |
| T1: CONTROL POWER TRANSFORMER | |
| FU4-5: PRIMARY FUSING (T1) | |
| FU6: SECONDARY FUSE (T1) | |
| TH1: THERMOSTAT | |
| TH2: SPACE HEATER | |

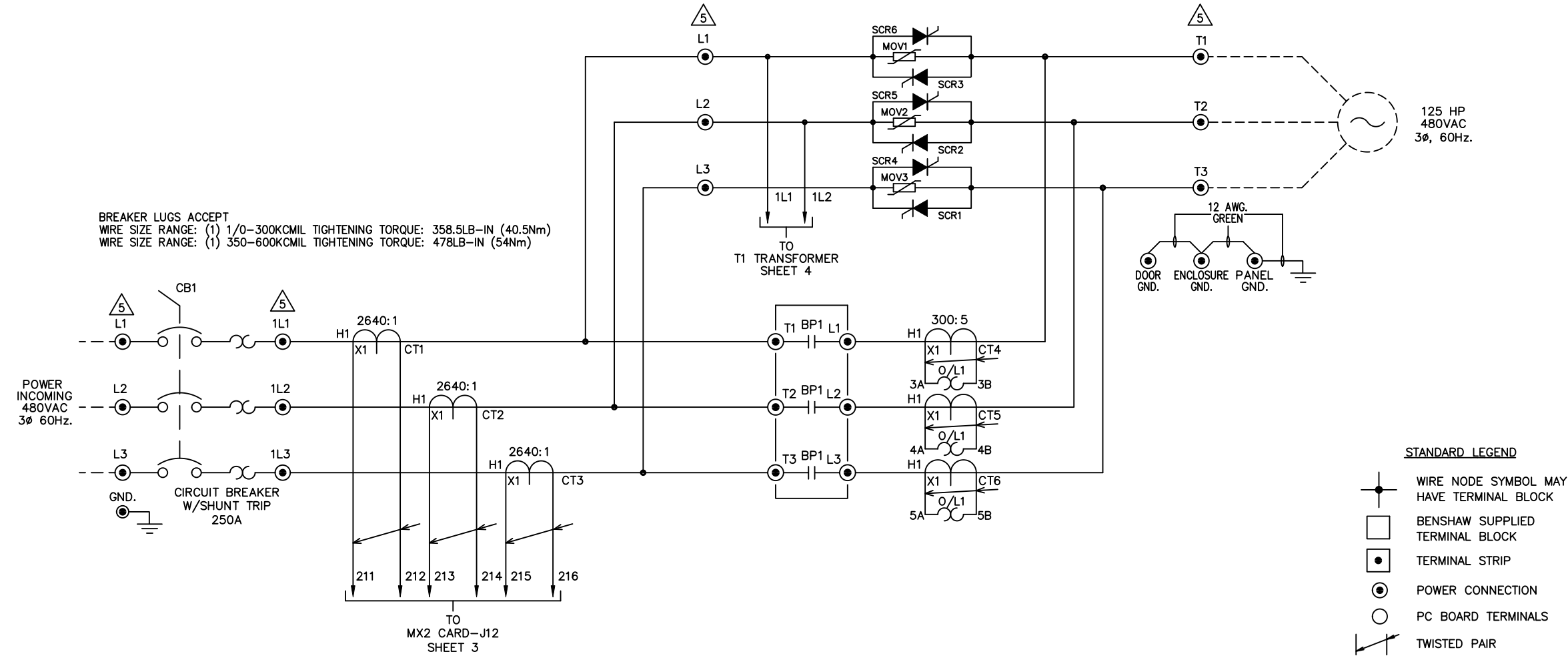
NOTES:

- 1 MINIMUM WIRE BENDING SPACE SHALL BE 10.00" FROM TOP OF CIRCUIT BREAKER POWER CONNECTION TO TOP OF ENCLOSURE.
- 2 ENSURE THAT ALL RIBBON CABLES ARE ROUTED AWAY FROM POWER CONDUCTORS.
- 3 MINIMUM WIRE BENDING SPACE SHALL BE 10.00" FROM BOTTOM OF POWERSTACK POWER CONNECTION TO BOTTOM OF ENCLOSURE.
- 4 ENCLOSURE LAYOUT IS DESIGNED FOR CABLE ENTRY/EXIT TO BE TOP/BOTTOM.

<p>14 APPRD: BDA 10/1/21 CHG BY: BDA 10/1/21 CHANGE CHANGED CIRCUIT BREAKER AND PILOT DEVICES</p>	<p>13 APPRD: BDA 7/17/18 CHG BY: BDA 7/17/18 CHANGE: CHANGED TO 3VA BREAKER</p>	<p>12 E: 4.10.5 APPRD: AES 2/25/13 CHG BY: BDA 2/25/13 CHANGE: CHANGED CIRCUIT CONNECTION DIAGRAM & RELAY CARD NUMBER SHEET 3</p>	<p>11 E: 39.30 APPRD: AES 11/12/12 CHG BY: BDA 11/12/12 CHANGE: CHANGED BREAKER TO SENSIRON E3796</p>	<p>10 APPRD: JAF 8/14/12 CHG BY: BDA 8/14/12 CHANGE: REVISED PER WAVE PROJECT REV 10 INITIAL RELEASE</p>	<p>REVISIONS DO NOT SCALE DWG</p>	<p>THIRD ANGLE PROJECTION</p> <p>THIS DRAWING AND ALL INFORMATION CONTAINED HEREIN IS THE PROPERTY OF BENSCHAW INC., AND MAY NOT BE REPRODUCED, OR DIVULGED TO UNAUTHORIZED PERSONS WITHOUT THE EXPRESS WRITTEN CONSENT OF BENSCHAW INC. IT IS PROVIDED SOLELY FOR THE CONVENIENCE OF THE USER AND SHALL BE RETURNED UPON REQUEST.</p>	<p>UNLESS OTHERWISE SPECIFIED ALL DIMENSIONS IN INCHES INTERPRET DRAWING PER ASME Y14.5M-1994 TOLERANCES: .XX ± .03 .XXX ± .015 ANGLES ± 1°</p>	<p>TITLE: ENCLOSURE LAYOUT RX2E-125-480-3RKP 125HP (156 AMPS) @ 480V (500% CURRENT FOR 30SECONDS, 125% CONTINUOUS DUTY RATED)</p>	<table border="1" style="width: 100%; border-collapse: collapse;"> <tr> <th>SIGNATURES</th> <th>DATE</th> </tr> <tr> <td>DRWN: BDA</td> <td>3/2/12</td> </tr> <tr> <td>ENGR: JAF</td> <td>3/2/12</td> </tr> <tr> <td>MFG:</td> <td></td> </tr> </table>	SIGNATURES	DATE	DRWN: BDA	3/2/12	ENGR: JAF	3/2/12	MFG:		<p style="text-align: center;">BENSCHAW</p> <p>615 ALPHA DRIVE PITTSBURGH, PA. 15238</p> <p>500 BRIGHT STREET LISTOWEL, ONTARIO M4W 3W3</p>
SIGNATURES	DATE																	
DRWN: BDA	3/2/12																	
ENGR: JAF	3/2/12																	
MFG:																		
<p>SCALE: 1:4</p>									<p>RX2E1254803RKP</p>	<p>REV 14</p>								
									<p>SHEET 1 OF 4</p>									

RX2E1254803RKP

LOAD CONNECTIONS
1.25 WIDE BUS TAB WITH TWO 0.52 DIA. HOLE FOR BOLTED CONNECTION 1.75 APPART.



BREAKER LUGS ACCEPT
WIRE SIZE RANGE: (1) 1/0-300KCMIL TIGHTENING TORQUE: 358.5LB-IN (40.5Nm)
WIRE SIZE RANGE: (1) 350-600KCMIL TIGHTENING TORQUE: 478LB-IN (54Nm)

POWER INCOMING
480VAC
3Ø 60Hz.

STANDARD LEGEND

- WIRE NODE SYMBOL MAY HAVE TERMINAL BLOCK
- BENSRAW SUPPLIED TERMINAL BLOCK
- TERMINAL STRIP
- POWER CONNECTION
- PC BOARD TERMINALS
- TWISTED PAIR
- TWISTED SHIELDED PAIR
- SHIELDED WIRE
- FIELD WIRING

- NOTES**
- 1 FAILSAFE FAULT RELAY SHOWN IN DE-ENERGIZED STATE. RELAY WILL ENERGIZE WHEN CONTROL POWER IS APPLIED TO CONTROL CARD, AND WILL REMAIN ENERGIZED WHEN NO FAULTS ARE PRESENT. RELAY WILL DE-ENERGIZE WHEN A FAULT OCCURS, OR IF CONTROL POWER IS REMOVED FROM THE CARD
 - 2 REFER TO INSTRUCTION MANUAL FOR STARTER CONFIGURATION.
 - 3 CUSTOMER SHOULD MONITOR GENERAL FAULT CONTACTS OF RELAY (R3) FOR FAULT DETECTION, AND REMOVE 2 WIRE RUN COMMAND WHEN A FAULT IS DETECTED.
 - 4 TIGHTEN CARD WIRING CONNECTIONS TO 2.7-3.5 in. lbs. (0.3-0.4 N-m).
 - 5 TIGHTEN POWER LUG FIELD WIRING CONNECTIONS TO CHART 1. SPECIFICATIONS. IF BREAKER IS SUPPLIED ON LINE SIDE OF STACK USE TORQUE VALUES ON BREAKER.
 - 6 REMOVE JUMPER WHEN INTERLOCKS ARE INSTALLED.
 - 7 SELECT EITHER TWO OR THREE WIRE CONTROL.
 - 8 STARTER SHIPPED SETUP FOR CUSTOMER SUPPLIED REMOTE 2 WIRE CONTROL. IF NO CONTROL IS TO BE USED THEN JUMPERS SHOULD REMAIN AS SHOWN.
 - 9 IF CUSTOMER SUPPLIED REMOTE 3 WIRE CONTROL IS NEEDED MAKE CUSTOMER CONNECTIONS AS SHOWN.
 - 10 CHANGE P49 (DI2) TO "FR" (FAULT RESET)
 - 11 SW1-1: (ANALOG INPUT) UP = CURRENT, DOWN = VOLTAGE
SW1-2: (ANALOG OUTPUT) UP = VOLTAGE, DOWN = CURRENT
 - 12 PROGRAM (P78), FUN (03), CT RATIO = 2640:1

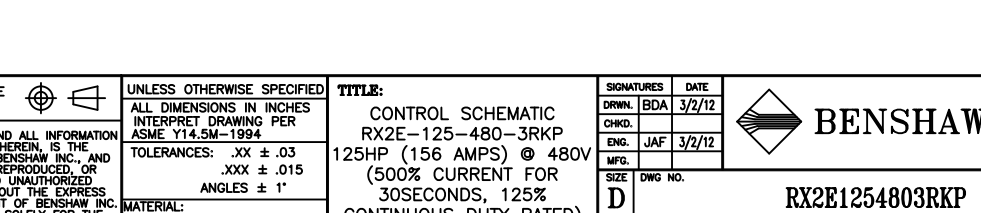
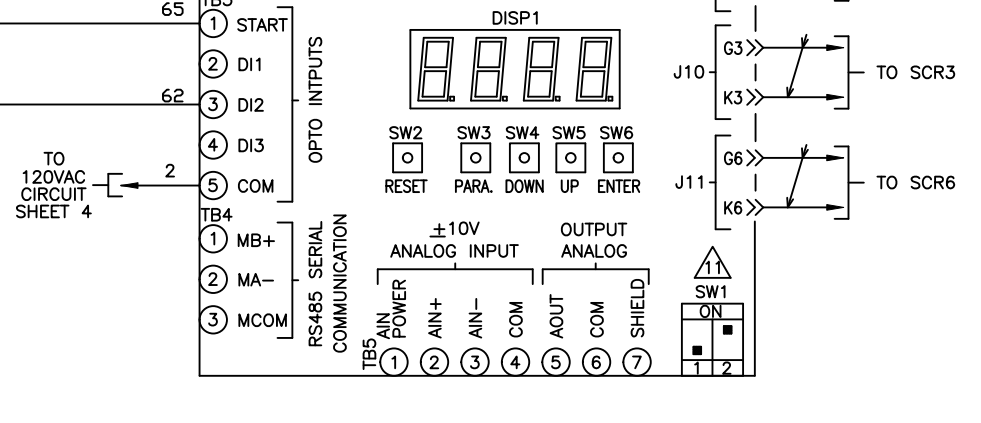
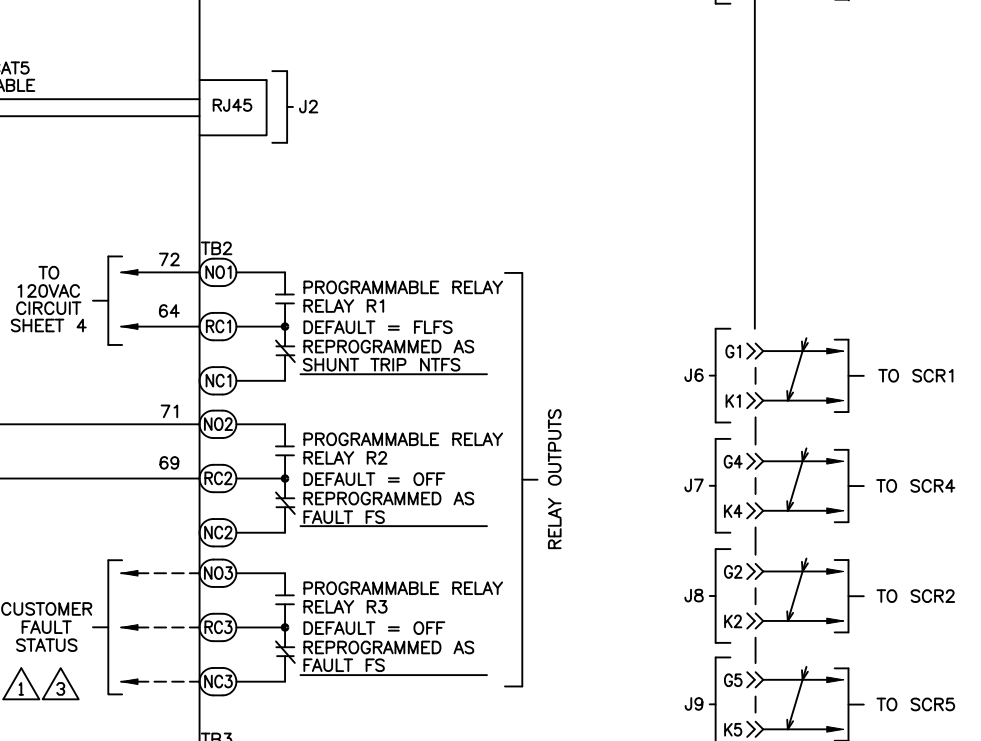
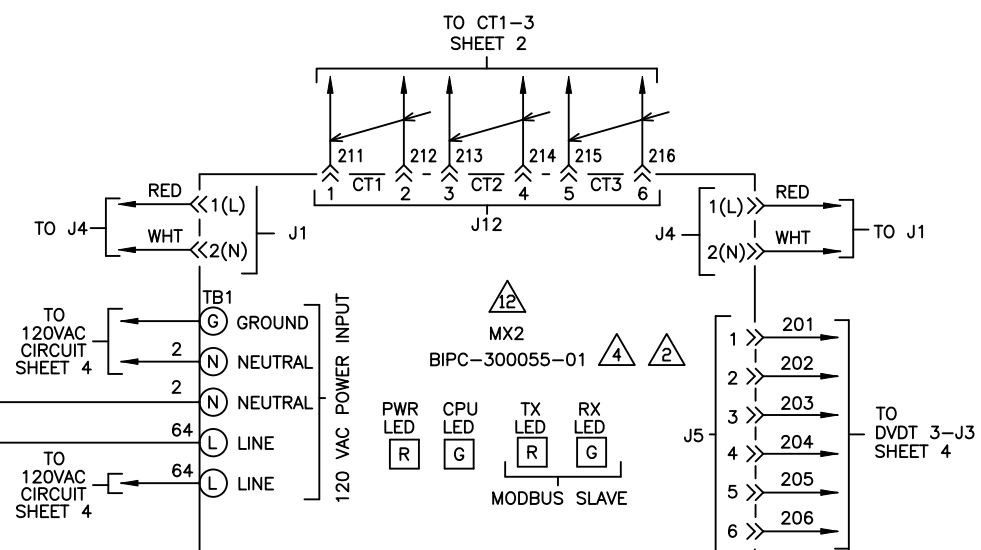
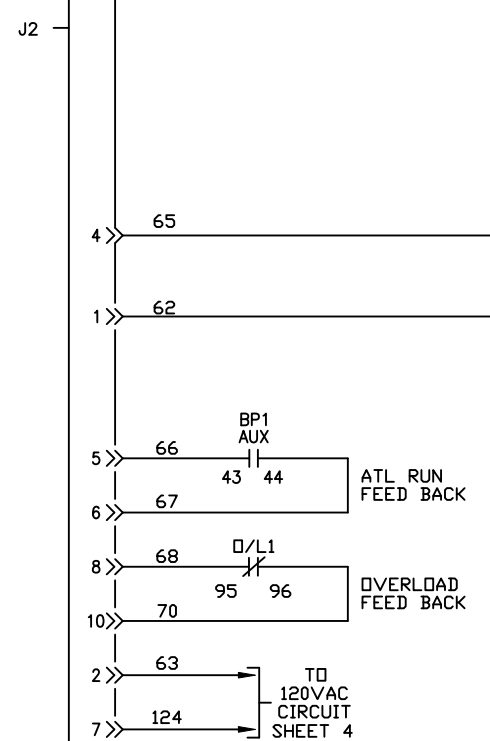
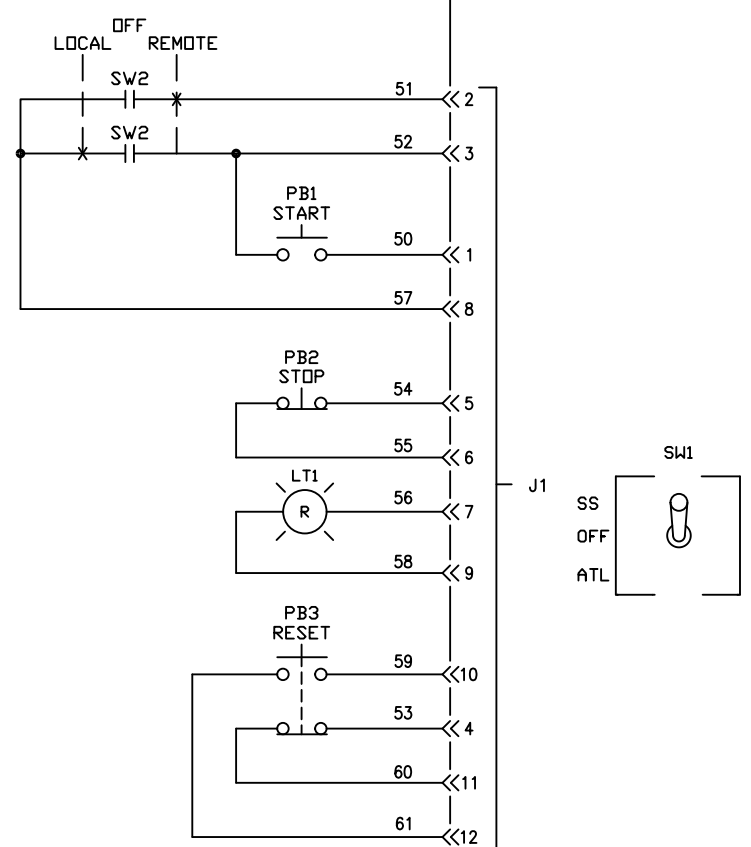
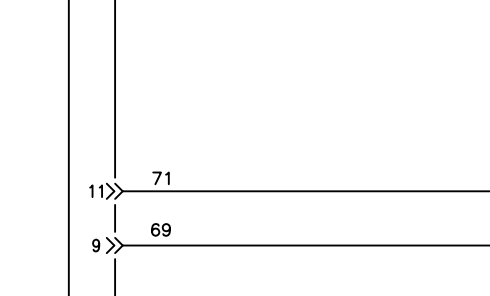
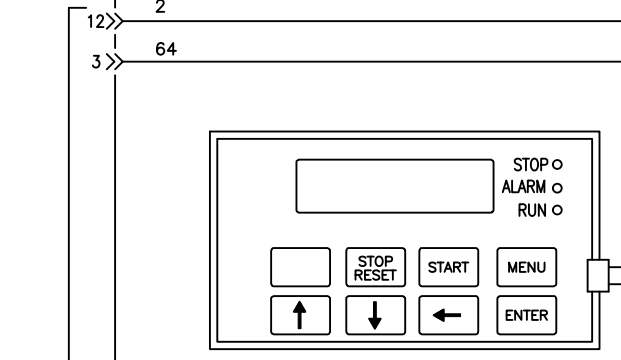
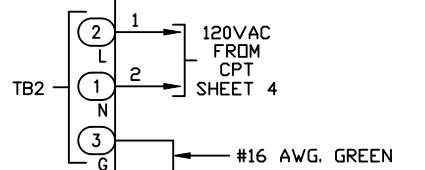
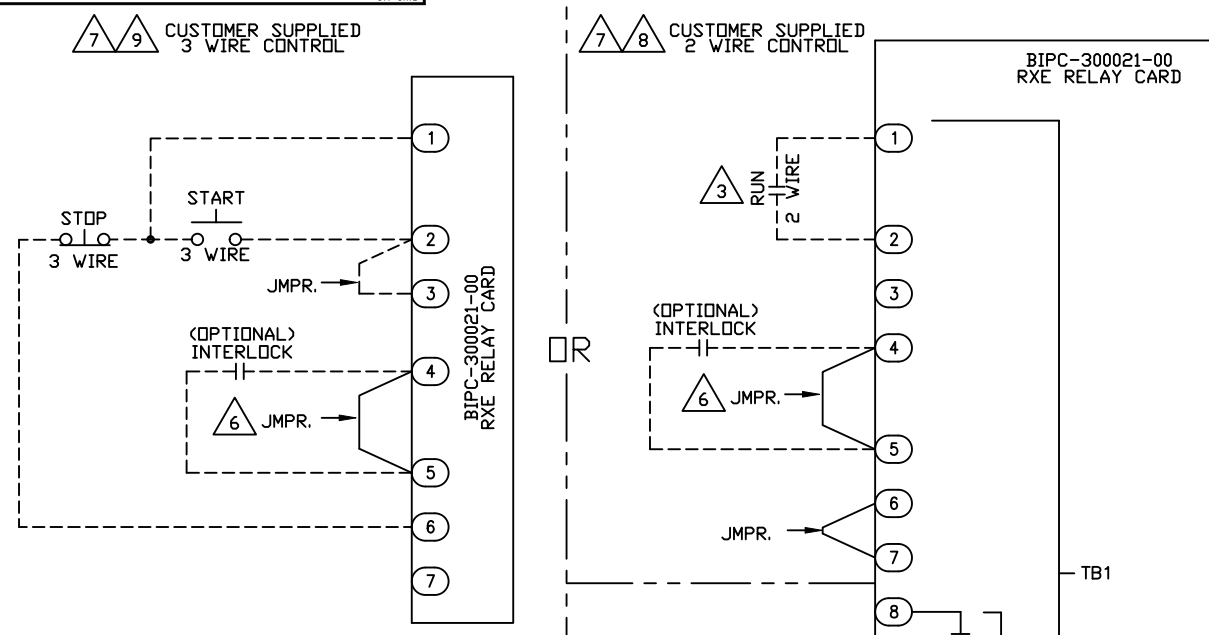
CHART 1
TIGHTENING TORQUE SPECIFICATIONS FOR HEX HEAD SCREWS

BOLT SIZE	BOLTS - GRADE 5	
	(IN. LB)	(FT. LB)
1/4	96-120	8-10
5/16	180-228	15-19
3/8	300-396	25-33
7/16	480-648	40-54
1/2	720-936	60-78

REVISIONS DO NOT SCALE DWG	THIRD ANGLE PROJECTION	UNLESS OTHERWISE SPECIFIED ALL DIMENSIONS IN INCHES INTERPRET DRAWING PER ASME Y14.5M-1994	TITLE: POWER SCHEMATIC RX2E-125-480-3RKP 125HP (156 AMPS) @ 480V (500% CURRENT FOR 30SECONDS, 125% CONTINUOUS DUTY RATED)	SIGNATURES	DATE	BENSRAW 615 ALPHA DRIVE PITTSBURGH, PA. 15238 500 BRIGHT STREET LISTOWEL, ONTARIO M4W 3W3
	THIS DRAWING AND ALL INFORMATION CONTAINED HEREIN, IS THE PROPERTY OF BENSRAW INC., AND MAY NOT BE REPRODUCED, OR DIVULGED TO UNAUTHORIZED PERSONS WITHOUT THE EXPRESS WRITTEN CONSENT OF BENSRAW INC. IT IS PROVIDED SOLELY FOR THE CONVENIENCE OF THE USER AND SHALL BE RETURNED UPON REQUEST.	TOLERANCES: .xxx ± .03 .xxx ± .015 ANGLES ± 1°		DRWN: BDA 3/2/12	ENG: JAF 3/2/12	
	MATERIAL:	FINISH:		SIZE	DWG NO.	
	SCALE: 1:1			REV 14		

RX2E1254803RKP

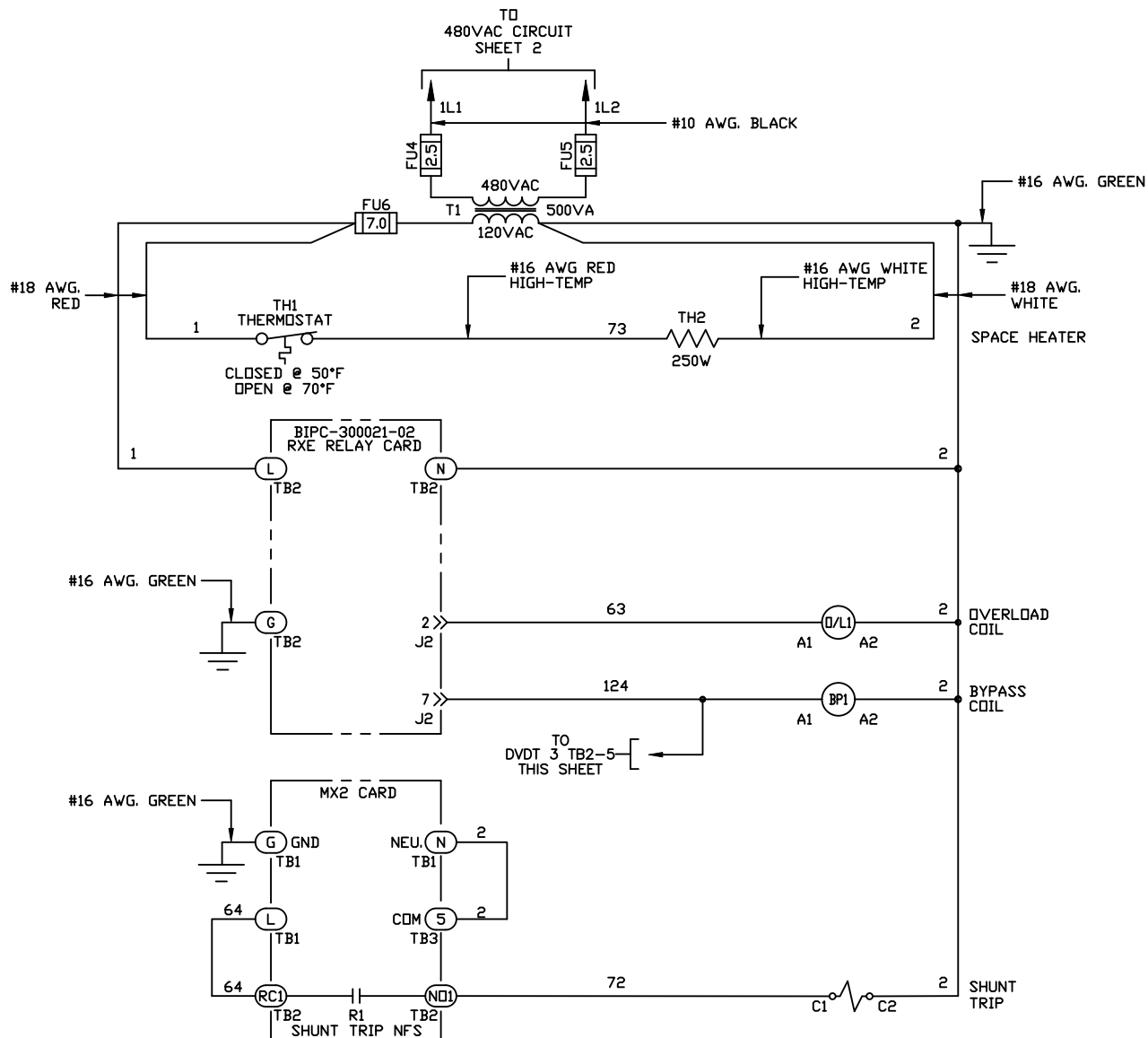
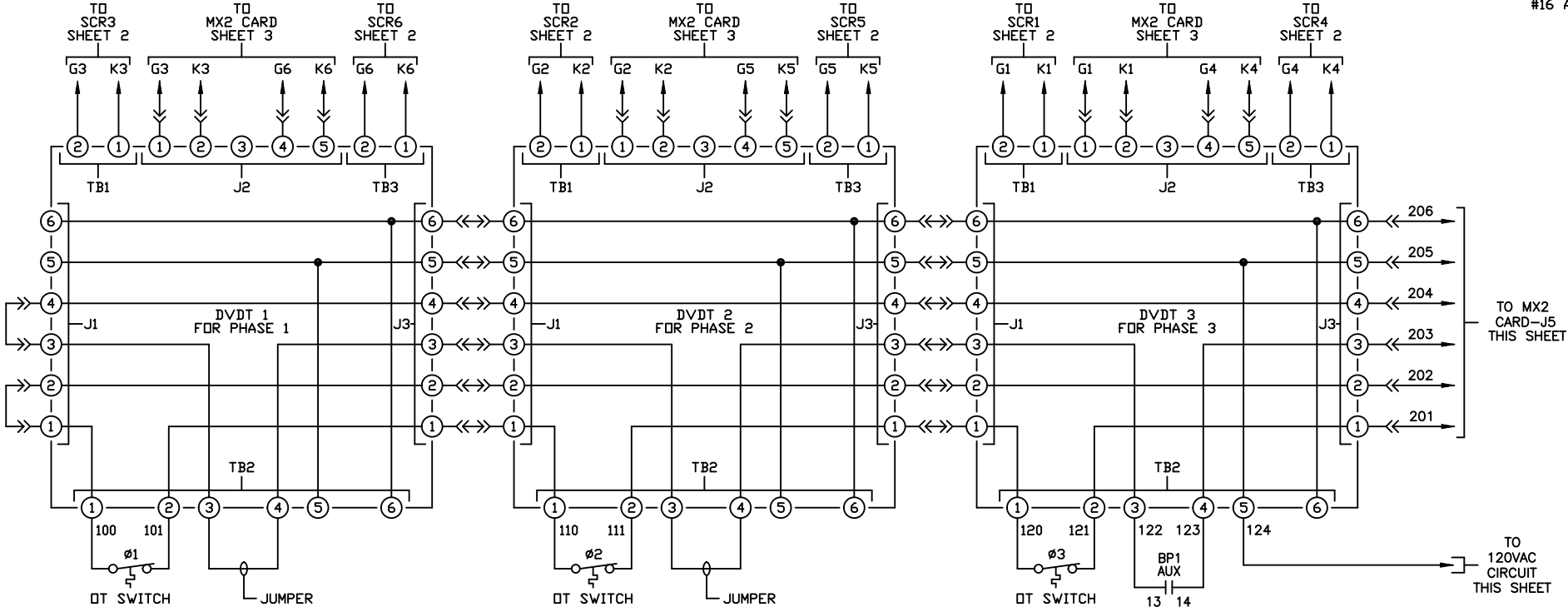
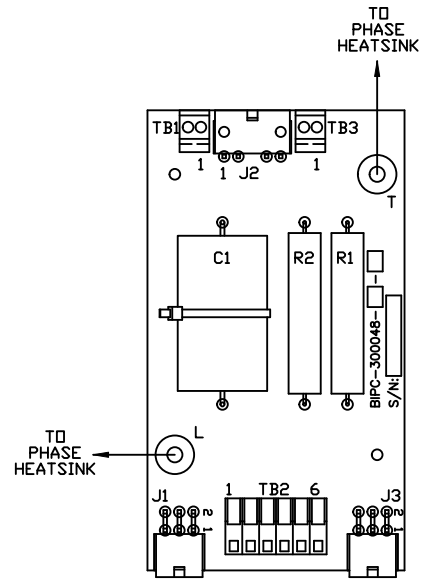
A
B
C
D
E
F
G
H
I
J
K
L
M
N



REVISIONS DO NOT SCALE DWG	THIRD ANGLE PROJECTION	UNLESS OTHERWISE SPECIFIED ALL DIMENSIONS IN INCHES INTERPRET DRAWING PER ASME Y14.5M-1994	TITLE: CONTROL SCHEMATIC RX2E-125-480-3RKP 125HP (156 AMPS) @ 480V (500% CURRENT FOR 30SECONDS, 125% CONTINUOUS DUTY RATED)	SIGNATURES DATE DRWN. BDA 3/2/12 CHKD. JAF 3/2/12 ENG. JAF 3/2/12 MFG.	615 ALPHA DRIVE PITTSBURGH, PA. 15238 500 BRIGHT STREET LISTOWEL, ONTARIO M4W 3W3	
	THIS DRAWING AND ALL INFORMATION CONTAINED HEREIN IS THE PROPERTY OF BENSCHAW INC., AND MAY NOT BE REPRODUCED, OR DIVULGED TO UNAUTHORIZED PERSONS WITHOUT THE EXPRESS WRITTEN CONSENT OF BENSCHAW INC. IT IS PROVIDED SOLELY FOR THE CONVENIENCE OF THE USER AND SHALL BE RETURNED UPON REQUEST.			MATERIAL: FINISH:		BENSCHAW
	DO NOT SCALE DWG			SCALE: 1:1		SIZE DWG NO. D
	DO NOT SCALE DWG			SHEET 3 OF 4		REV 14

RX2E1254803RKP

ON DMD



REVISIONS DO NOT SCALE DWG	THIRD ANGLE PROJECTION	UNLESS OTHERWISE SPECIFIED ALL DIMENSIONS IN INCHES INTERPRET DRAWING PER ASME Y14.5M-1994	TITLE: CONTROL SCHEMATIC RX2E-125-480-3RKP 125HP (156 AMPS) @ 480V (500% CURRENT FOR 30SECONDS, 125% CONTINUOUS DUTY RATED)	SIGNATURES DATE DRWN. BDA 3/2/12 CHKD. JAF 3/2/12 ENG. JAF 3/2/12 MFG.	BENS HAW 615 ALPHA DRIVE PITTSBURGH, PA. 15238 500 BRIGHT STREET LISTOWEL, ONTARIO M4W 3W3	
	THIS DRAWING AND ALL INFORMATION CONTAINED HEREIN, IS THE PROPERTY OF BENS HAW INC., AND MAY NOT BE REPRODUCED, OR DIVULGED TO UNAUTHORIZED PERSONS WITHOUT THE EXPRESS WRITTEN CONSENT OF BENS HAW INC. IT IS PROVIDED SOLELY FOR THE CONVENIENCE OF THE USER AND SHALL BE RETURNED UPON REQUEST.	TOLERANCES: .XX ± .03 .XXX ± .015 ANGLES ± 1°	MATERIAL: FINISH:	SIZE DWG NO. D RX2E1254803RKP		REV 14
	SCALE: 1:1			SHEET 4 OF 4		
	FINISH:					