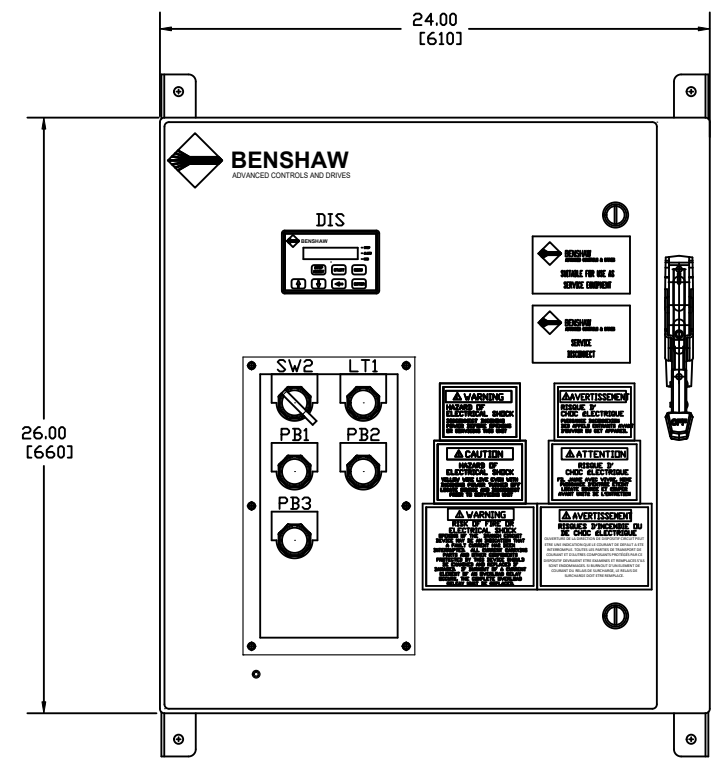


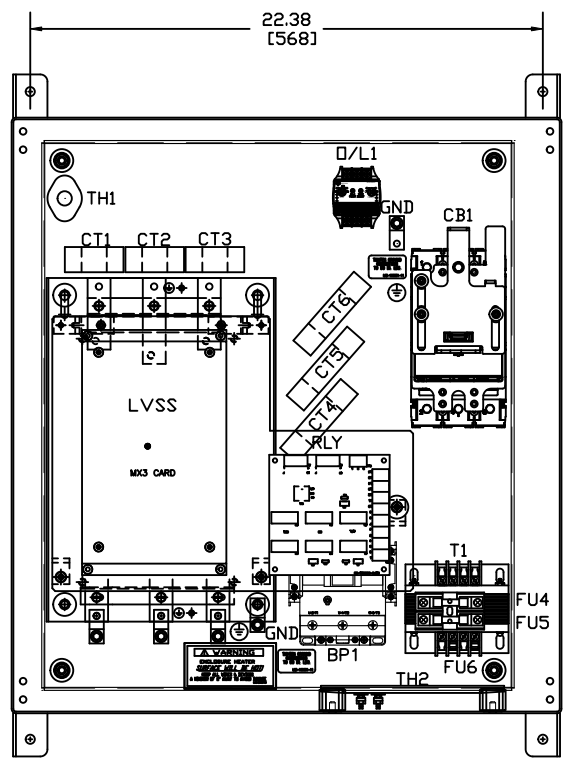
RX3E0754803RKP

**NOTES:**

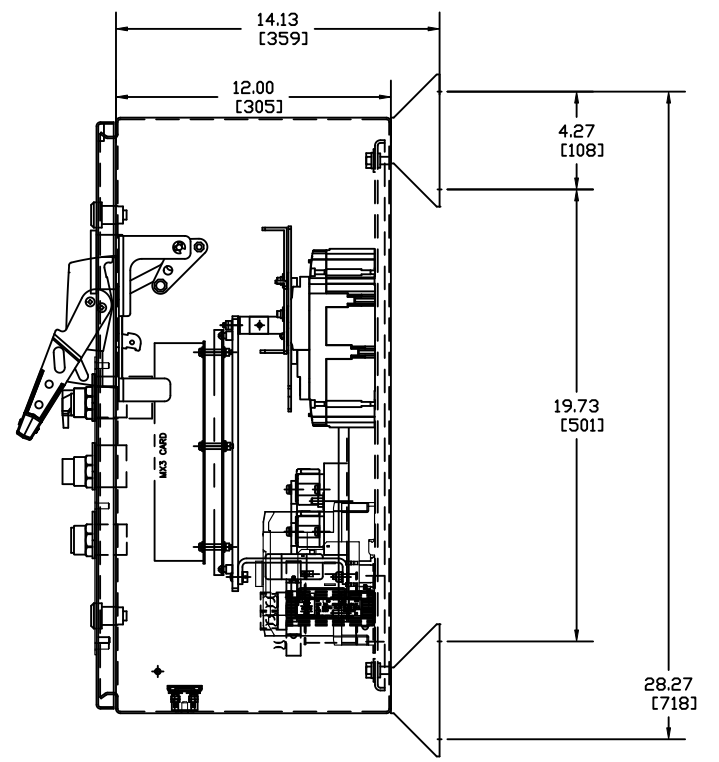
- 1 MINIMUM WIRE BENDING SPACE SHALL BE 3.00" FROM TOP OF CIRCUIT BREAKER POWER CONNECTION TO TOP OF ENCLOSURE.
- 2 ENSURE THAT ALL RIBBON CABLES ARE ROUTED AWAY FROM POWER CONDUCTORS.
- 3 MINIMUM WIRE BENDING SPACE SHALL BE 3.00" FROM BOTTOM OF POWERSTACK POWER CONNECTION TO BOTTOM OF ENCLOSURE.
- 4 ENCLOSURE LAYOUT IS DESIGNED FOR CABLE ENTRY/EXIT TO BE TOP/BOTTOM.
- 5 REMOVE ANY HARDWARE ATTACHED TO SWITCH 1.



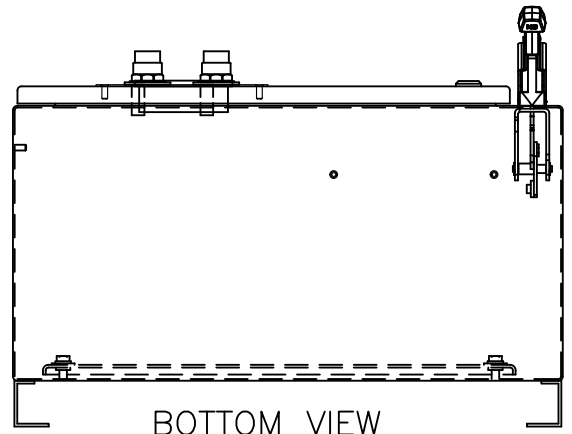
FRONT VIEW



PANEL VIEW



SIDE VIEW



BOTTOM VIEW

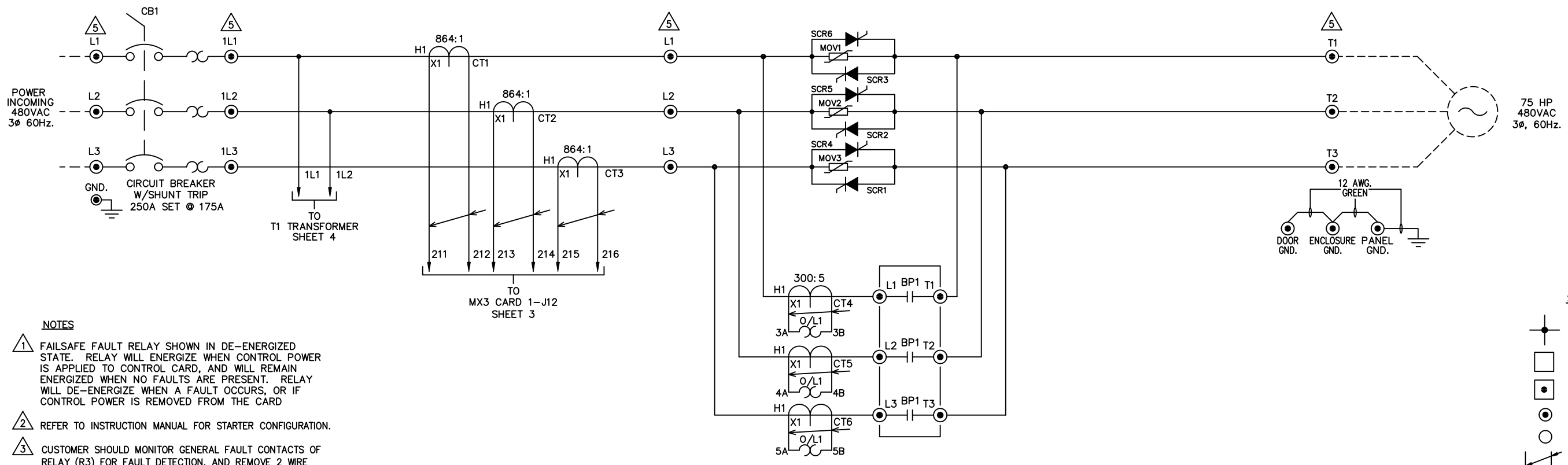
**LEGEND**

- |                                   |                                   |
|-----------------------------------|-----------------------------------|
| CB1: CIRCUIT BREAKER              | DIS: DOOR MOUNTED KEYPAD          |
| GND: GROUND LUGS                  | PB1: START PUSHBUTTON             |
| PS1: PIN STRIP 3 POINT SHUNT TRIP | PB2: STOP PUSHBUTTON              |
| LVSS: RB3 POWER STACK             | PB3: RESET PUSHBUTTON             |
| CT1-3: CONTROL CARD CT'S          | SW1: LOCAL-OFF-REMOTE SEL. SWITCH |
| CT4-6: OVERLOAD CT'S              | LT1: RUNNING PILOT LIGHT          |
| BP1: ATL/BYPASS CONTACTOR         |                                   |
| D/L1: OVERLOAD RELAY              |                                   |
| RLY: SS-ATL RELAY CARD            |                                   |
| SW2: SS-OFF-ATL SEL. SWITCH (RLY) |                                   |
| T1: CONTROL POWER TRANSFORMER     |                                   |
| FU4-5: PRIMARY FUSING (T1)        |                                   |
| FU6: SECONDARY FUSE (T1)          |                                   |
| TH1: THERMSTAT                    |                                   |
| TH2: SPACE HEATER                 |                                   |

15 APPR: BDA 9/17/18 CHG BY: TUR 9/17/18 CHANGE: CHANGED TO 3VA BREAKER	12 E-4 1.0.5 APPR: AES 2/25/13 CHG BY: BDA 2/25/13 CHANGE-CHANGED CHANGE-CHANGED DIAGRAM & REVISED CARD NUMBER SHEET 3	11 E-39.30 APPR: AES 11/12/12 CHG BY: BDA 11/12/12 CHANGE-CHANGED BREAKER TO SENTRION E3796	10 APPR: JAF 8/13/12 CHG BY: BDA 8/13/12 CHANGE-REVISED PER WAVE PROJECT. REV TO INITIAL RELEASE	REVISIONS DO NOT SCALE DWG	THIRD ANGLE PROJECTION	UNLESS OTHERWISE SPECIFIED ALL DIMENSIONS IN INCHES INTERPRET DRAWING PER ASME Y14.5M-1994 TOLERANCES: .XX ± .03 .XXX ± .015 ANGLES ± 1°	<b>TITLE:</b> ENCLOSURE LAYOUT RX3E-075-480-3RKP 75HP (96 AMPS) @ 480V (500% CURRENT FOR 30SECONDS, 125% CONTINUOUS DUTY RATED)	<table border="1"> <tr> <th>SIGNATURES</th> <th>DATE</th> </tr> <tr> <td>DRWN: BDA</td> <td>3/2/12</td> </tr> <tr> <td>CHKD: JAF</td> <td>3/2/12</td> </tr> <tr> <td>ENG: JAF</td> <td>3/2/12</td> </tr> <tr> <td>MFG:</td> <td></td> </tr> <tr> <td>SIZE: D</td> <td>DWG NO.</td> </tr> </table>	SIGNATURES	DATE	DRWN: BDA	3/2/12	CHKD: JAF	3/2/12	ENG: JAF	3/2/12	MFG:		SIZE: D	DWG NO.	<p>815 ALPHA DRIVE PITTSBURGH, PA. 15238 550 BRIGHT STREET LISTOWEL, ONTARIO M4W 3K5</p>	<table border="1"> <tr> <td>RX3E0754803RKP</td> <td>REV 15</td> </tr> </table>	RX3E0754803RKP	REV 15
SIGNATURES	DATE																							
DRWN: BDA	3/2/12																							
CHKD: JAF	3/2/12																							
ENG: JAF	3/2/12																							
MFG:																								
SIZE: D	DWG NO.																							
RX3E0754803RKP	REV 15																							
SCALE: 1:4						SHEET 1 OF 4																		

RX3E0754803RKP ON DWG

A  
B  
C  
D  
E  
F  
G  
H  
I  
J  
K  
L  
M  
N



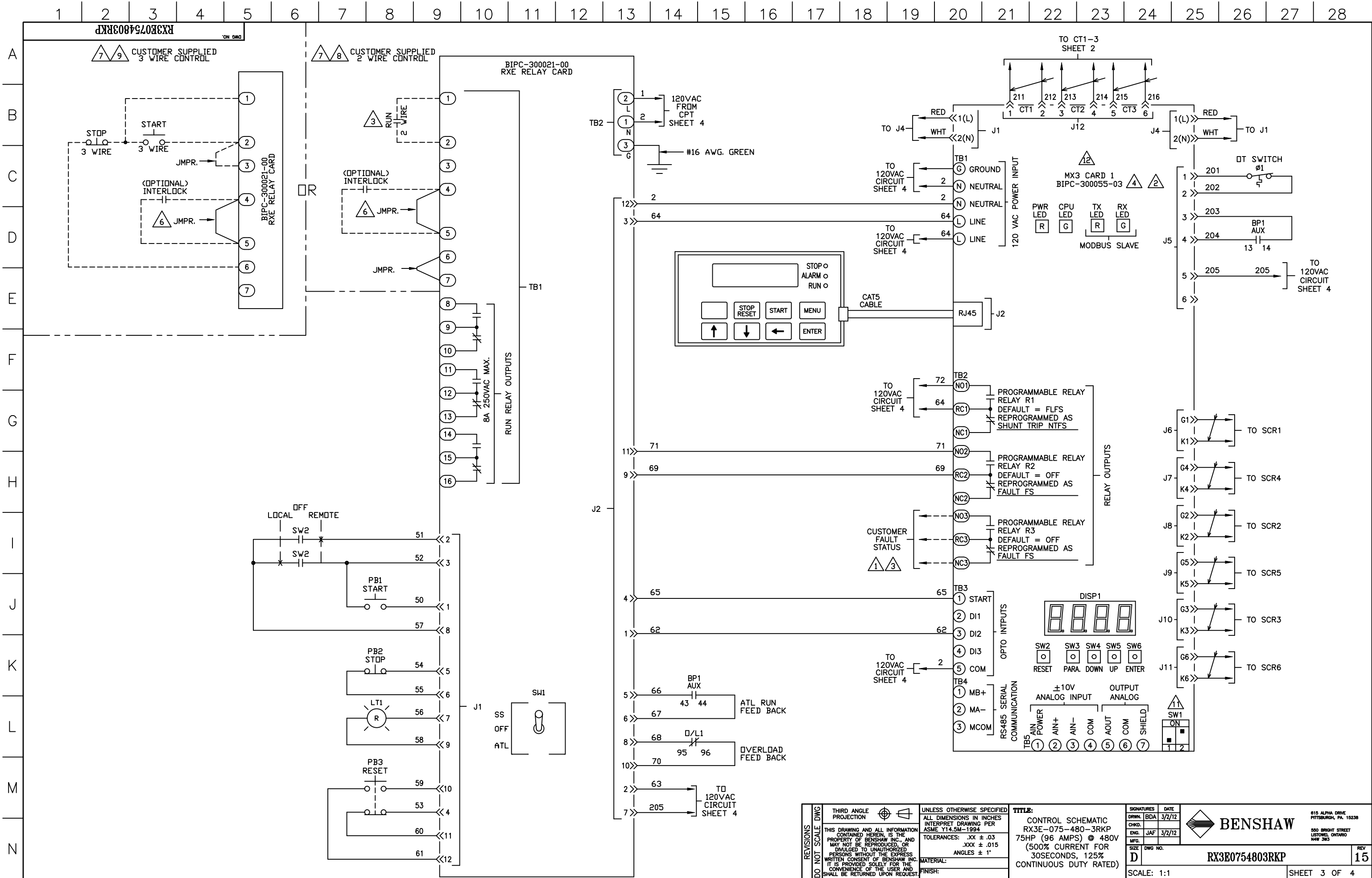
- NOTES**
1. FAILSAFE FAULT RELAY SHOWN IN DE-ENERGIZED STATE. RELAY WILL ENERGIZE WHEN CONTROL POWER IS APPLIED TO CONTROL CARD, AND WILL REMAIN ENERGIZED WHEN NO FAULTS ARE PRESENT. RELAY WILL DE-ENERGIZE WHEN A FAULT OCCURS, OR IF CONTROL POWER IS REMOVED FROM THE CARD
  2. REFER TO INSTRUCTION MANUAL FOR STARTER CONFIGURATION.
  3. CUSTOMER SHOULD MONITOR GENERAL FAULT CONTACTS OF RELAY (R3) FOR FAULT DETECTION, AND REMOVE 2 WIRE RUN COMMAND WHEN A FAULT IS DETECTED.
  4. TIGHTEN CARD WIRING CONNECTIONS TO 2.7-3.5 in. lbs. (0.3-0.4 N-m).
  5. TIGHTEN POWER LUG FIELD WIRING CONNECTIONS TO CHART 1. SPECIFICATIONS. IF BREAKER IS SUPPLIED ON LINE SIDE OF STACK USE TORQUE VALUES ON BREAKER.
  6. REMOVE JUMPER WHEN INTERLOCKS ARE INSTALLED.
  7. SELECT EITHER TWO OR THREE WIRE CONTROL.
  8. STARTER SHIPPED SETUP FOR CUSTOMER SUPPLIED REMOTE 2 WIRE CONTROL. IF NO CONTROL IS TO BE USED THEN JUMPERS SHOULD REMAIN AS SHOWN.
  9. IF CUSTOMER SUPPLIED REMOTE 3 WIRE CONTROL IS NEEDED MAKE CUSTOMER CONNECTIONS AS SHOWN.
  10. CHANGE P49 (DI2) TO "FR" (FAULT RESET)
  11. SW1-1: (ANALOG INPUT) UP = CURRENT, DOWN = VOLTAGE  
SW1-2: (ANALOG OUTPUT) UP = VOLTAGE, DOWN = CURRENT
  12. PROGRAM (P78), FUN (03), CT RATIO = 864:1

- STANDARD LEGEND**
- WIRE NODE SYMBOL MAY HAVE TERMINAL BLOCK
  - BENSCHAW SUPPLIED TERMINAL BLOCK
  - TERMINAL STRIP
  - POWER CONNECTION
  - PC BOARD TERMINALS
  - TWISTED PAIR
  - TWISTED SHIELDED PAIR
  - SHIELDED WIRE
  - FIELD WIRING

**CHART 1**  
TIGHTENING TORQUE SPECIFICATIONS FOR HEX HEAD SCREWS

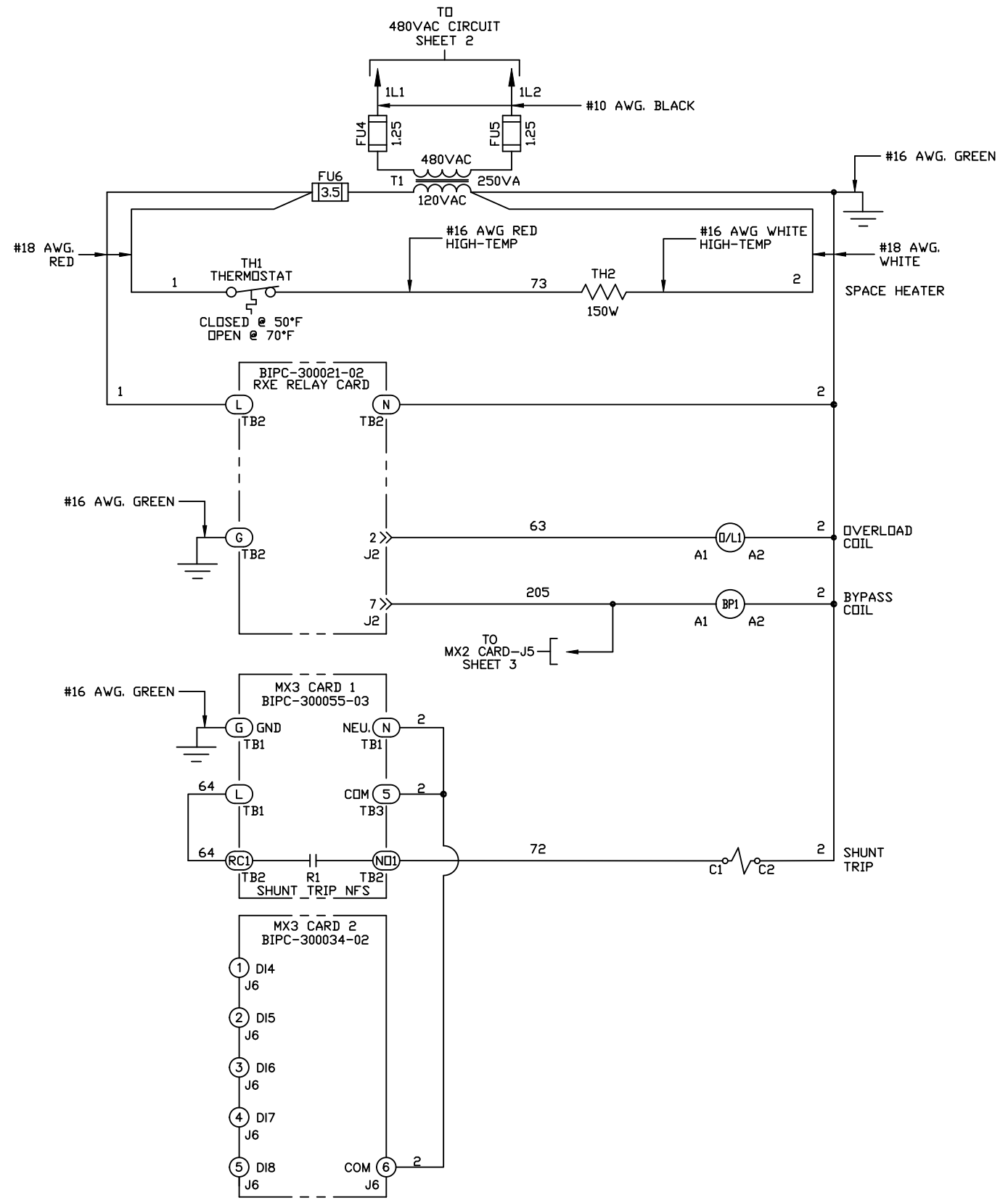
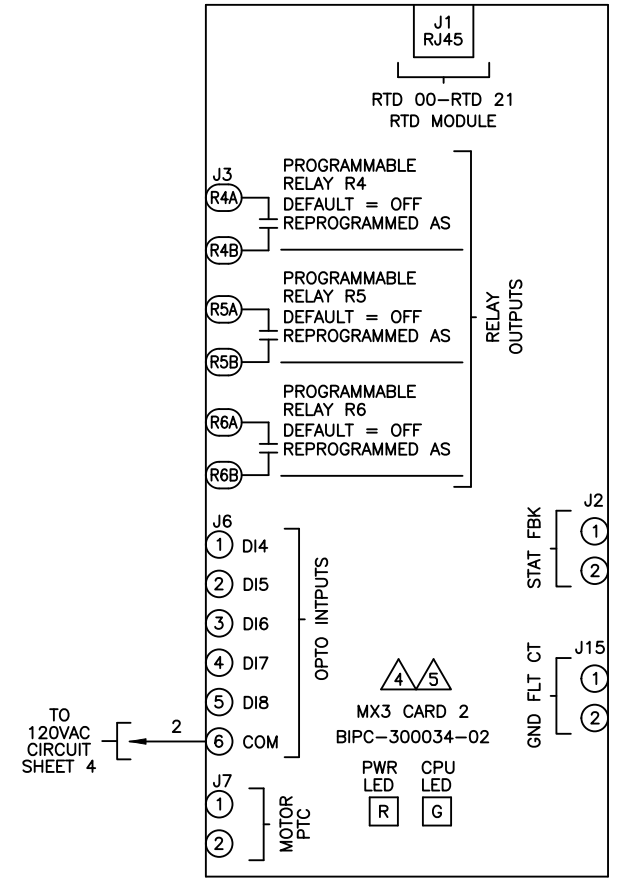
BOLT SIZE	BOLTS - GRADE 5	
SAE	(IN. LB)	(FT. LB)
1/4	96-120	8-10
5/16	180-228	15-19
3/8	300-396	25-33
7/16	480-648	40-54
1/2	720-936	60-78

REVISIONS DO NOT SCALE DWG	THIRD ANGLE PROJECTION	UNLESS OTHERWISE SPECIFIED ALL DIMENSIONS IN INCHES INTERPRET DRAWING PER ASME Y14.5M-1994	<b>TITLE:</b> POWER SCHEMATIC RX3E-075-480-3RKP 75HP (96 AMPS) @ 480V (500% CURRENT FOR 30SECONDS, 125% CONTINUOUS DUTY RATED)	SIGNATURES DRWN: BDA ENGR: JAF MFG: JAF DATE: 3/2/12	 BENSCHAW 815 ALPHA DRIVE PITTSBURGH, PA. 15238 550 BRIGHT STREET LISTOWEL, ONTARIO M4W 3W3
	THIS DRAWING AND ALL INFORMATION CONTAINED HEREIN IS THE PROPERTY OF BENSCHAW INC. AND MAY NOT BE REPRODUCED, OR DIVULGED TO UNAUTHORIZED PERSONS WITHOUT THE EXPRESS WRITTEN CONSENT OF BENSCHAW INC. IT IS PROVIDED SOLELY FOR THE CONVENIENCE OF THE USER AND SHALL BE RETURNED UPON REQUEST.	TOLERANCES: .XX ± .03 .XXX ± .015 ANGLES ± 1°		DWG NO. RX3E0754803RKP REV 15	
SCALE: 1:1			SHEET 2 OF 4		



<b>REVISIONS</b> DO NOT SCALE DWG	THIRD ANGLE PROJECTION	UNLESS OTHERWISE SPECIFIED ALL DIMENSIONS IN INCHES INTERPRET DRAWING PER ASME Y14.5M-1994	<b>TITLE:</b> CONTROL SCHEMATIC RX3E-075-480-3RKP 75HP (96 AMPS) @ 480V (500% CURRENT FOR 30SECONDS, 125% CONTINUOUS DUTY RATED)	SIGNATURES: BDA DATE: 3/2/12	815 ALPHA DRIVE PITTSBURGH, PA. 15238 550 BRIGHT STREET LISTOWEL, ONTARIO M4W 3W3	
	THIS DRAWING AND ALL INFORMATION CONTAINED HEREIN, IS THE PROPERTY OF BENSHAW INC. AND MAY NOT BE REPRODUCED, OR DIVULGED TO UNAUTHORIZED PERSONS WITHOUT THE EXPRESS WRITTEN CONSENT OF BENSHAW INC. IT IS PROVIDED SOLELY FOR THE CONVENIENCE OF THE USER AND SHALL BE RETURNED UPON REQUEST	TOLERANCES: .XX ± .03 .XXX ± .015 ANGLES ± 1°	MATERIAL: FINISH:	SIZE: D DWG NO.: RX3E0754803RKP		REV: 15
	SCALE: 1:1	SHEET 3 OF 4	TO 120VAC CIRCUIT SHEET 4	TO 120VAC CIRCUIT SHEET 4		TO 120VAC CIRCUIT SHEET 4
	TO 120VAC CIRCUIT SHEET 4	TO 120VAC CIRCUIT SHEET 4	TO 120VAC CIRCUIT SHEET 4	TO 120VAC CIRCUIT SHEET 4		TO 120VAC CIRCUIT SHEET 4

A  
B  
C  
D  
E  
F  
G  
H  
I  
J  
K  
L  
M  
N



REVISIONS DO NOT SCALE DWG	THIRD ANGLE PROJECTION	UNLESS OTHERWISE SPECIFIED ALL DIMENSIONS IN INCHES INTERPRET DRAWING PER ASME Y14.5M-1994	<b>TITLE:</b> CONTROL SCHEMATIC RX3E-075-480-3RKP 75HP (96 AMPS) @ 480V (500% CURRENT FOR 30SECONDS, 125% CONTINUOUS DUTY RATED)	SIGNATURES DRWN: BDA CHKD: JAF MFG: JAF DATE: 3/2/12	DATE: 3/2/12	BENSRAW 815 ALPHA DRIVE PITTSBURGH, PA. 15238 550 BRIGHT STREET LISTOWEL, ONTARIO M4W 3W3
	THIS DRAWING AND ALL INFORMATION CONTAINED HEREIN, IS THE PROPERTY OF BENSRAW INC. AND MAY NOT BE REPRODUCED, OR DIVULGED TO UNAUTHORIZED PERSONS WITHOUT THE EXPRESS WRITTEN CONSENT OF BENSRAW INC. IT IS PROVIDED SOLELY FOR THE CONVENIENCE OF THE USER AND SHALL BE RETURNED UPON REQUEST.		MATERIAL: FINISH:	SIZE: D DWG NO.: RX3E0754803RKP	REV: 15	
	SCALE: 1:1			SHEET 4 OF 4		