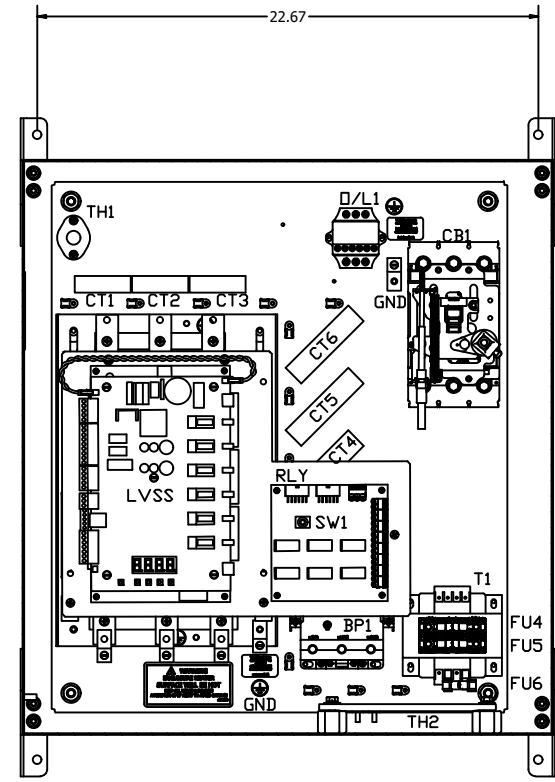
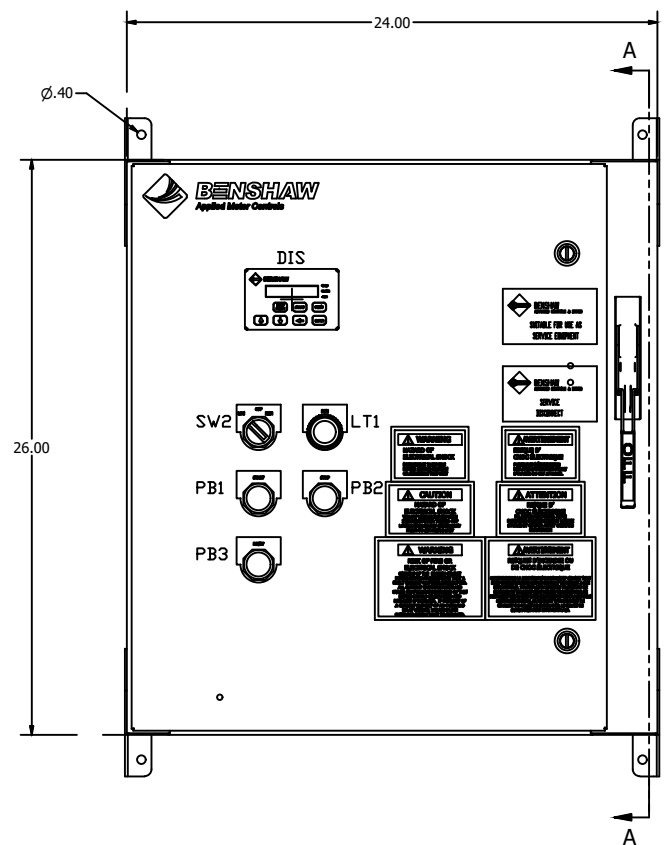


A
B
C
D
E
F
G
H
I
J
K
L
M
N

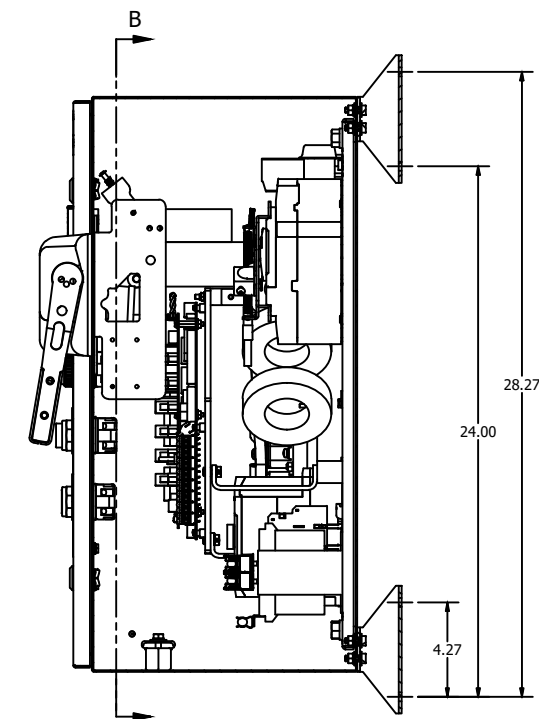
RX3E0754803RKP

NOTES:

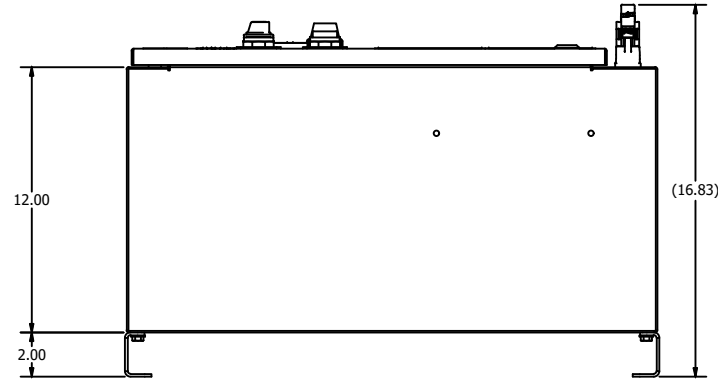
- 1 MINIMUM WIRE BENDING SPACE SHALL BE 3.00" FROM TOP OF CIRCUIT BREAKER POWER CONNECTION TO TOP OF ENCLOSURE.
- 2 ENSURE THAT ALL RIBBON CABLES ARE ROUTED AWAY FROM POWER CONDUCTORS.
- 3 MINIMUM WIRE BENDING SPACE SHALL BE 3.00" FROM BOTTOM OF POWERSTACK POWER CONNECTION TO BOTTOM OF ENCLOSURE.
- 4 ENCLOSURE LAYOUT IS DESIGNED FOR CABLE ENTRY/EXIT TO BE TOP/BOTTOM.
- 5 REMOVE ANY HARDWARE ATTACHED TO SWITCH 1.



SECTION B-B
SCALE 1 / 4



SECTION A-A
SCALE 1 / 4



LEGEND

- | | |
|-----------------------------------|------------------------------|
| CB1: CIRCUIT BREAKER | DIS: DOOR MOUNTED KEYPAD |
| GND: GROUND LUGS | PB1: START PUSHBUTTON |
| PS1: PIN STRIP 3 POINT SHUNT TRIP | PB2: STOP PUSHBUTTON |
| LVSS: RB3 POWER STACK | PB3: RESET PUSHBUTTON |
| CT1-3: CONTROL CARD CT'S | SW1: LDC-OFF-REM SEL. SWITCH |
| CT4-6: OVERLOAD CT'S | LT1: RUNNING PILOT LIGHT |
| BP1: ATL/BYPASS CONTACTOR | |
| D/L1: OVERLOAD RELAY | |
| RLY: SS-ATL RELAY CARD | |
| SW2: SS-OFF-ATL SEL. SWITCH (RLY) | |
| T1: CONTROL POWER TRANSFORMER | |
| FU4-5: PRIMARY FUSING (T1) | |
| FU6: SECONDARY FUSE (T1) | |
| TH1: THERMOSTAT | |
| TH2: SPACE HEATER | |

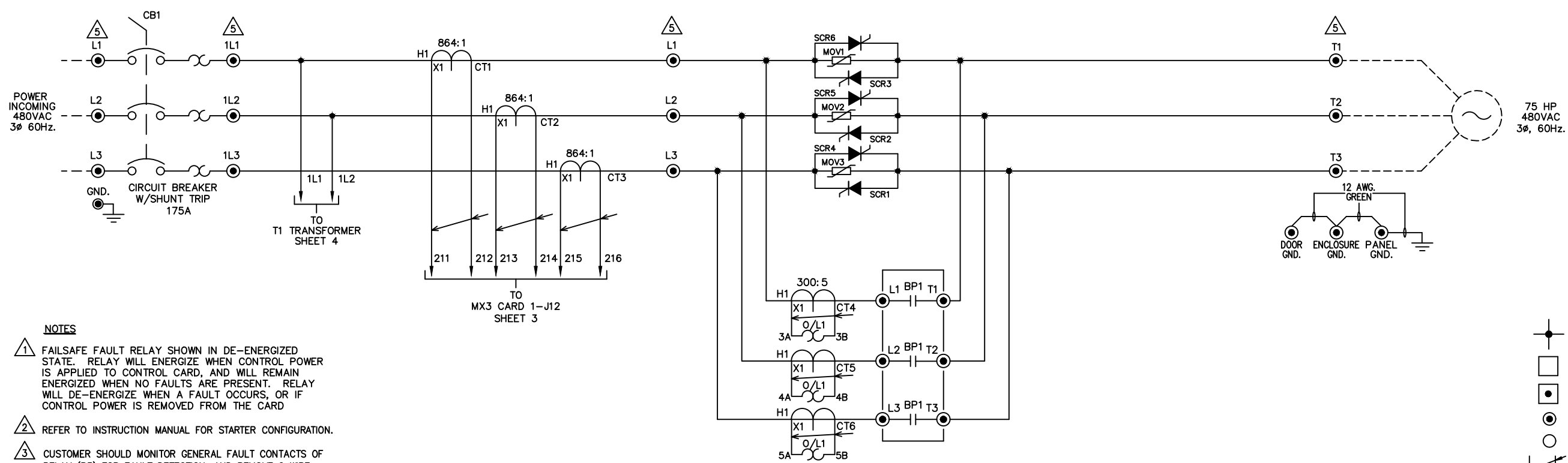
ECO1085517	APPR: BDA 9/30/21	16	APPR: AFS 11/12/12	10	REVISIONS	THIRD ANGLE PROJECTION	UNLESS OTHERWISE SPECIFIED	TITLE:	SIGNATURES	DATE
CHG BY: RWS 4/11/24	CHG BY: BDA 9/30/21	15	CHG BY: BDA 11/12/12	9	DO NOT SCALE DWG	THIS DRAWING AND ALL INFORMATION CONTAINED HEREIN IS THE PROPERTY OF BENSCHAW INC. AND MAY NOT BE REPRODUCED OR DIVULGED TO UNAUTHORIZED PERSONS WITHOUT THE EXPRESS WRITTEN CONSENT OF BENSCHAW INC. IT IS PROVIDED SOLELY FOR THE CONVENIENCE OF THE USER AND SHALL BE RETURNED UPON REQUEST.	ALL DIMENSIONS IN INCHES INTERPRET DRAWING PER ASME Y14.5M-1994	ENCLOSURE LAYOUT	DRWN: BDA	3/2/12
CHANGE CHANGED	CHANGE CHANGED	14	CHANGE CHANGED	8			TOLERANCES: .XX ± .03 .XXX ± .015 ANGLES ± 1°	RX3E-075-480-3RKP	ENGR: JAF	3/2/12
LEGEND TO REM FROM LOCAL OFF-REMOTE	CHANGE CHANGED	13	CHANGE CHANGED	7			MATERIAL:	75HP (96 AMPS) @ 480V	MFG:	
	CHANGE CHANGED	12	CHANGE CHANGED	6			FINISH:	(500% CURRENT FOR 30SECONDS, 125% CONTINUOUS DUTY RATED)	SIZE	DWG NO.
	CHANGE CHANGED	11	CHANGE CHANGED	5					D	
	CHANGE CHANGED	10	CHANGE CHANGED	4					SCALE: 1:4	
	CHANGE CHANGED	9	CHANGE CHANGED	3						
	CHANGE CHANGED	8	CHANGE CHANGED	2						
	CHANGE CHANGED	7	CHANGE CHANGED	1						
	CHANGE CHANGED	6	CHANGE CHANGED	0						
	CHANGE CHANGED	5	CHANGE CHANGED							
	CHANGE CHANGED	4	CHANGE CHANGED							
	CHANGE CHANGED	3	CHANGE CHANGED							
	CHANGE CHANGED	2	CHANGE CHANGED							
	CHANGE CHANGED	1	CHANGE CHANGED							

		615 ALPHA DRIVE PITTSBURGH, PA. 15238 550 BRIGHT STREET LISTOWEL, ONTARIO M4W 3W5
RX3E0754803RKP	REV 17	SHEET 1 OF 4

RX3E0754803RKP

BREAKER LUGS ACCEPT
 WIRE SIZE RANGE: (1) 14AWG TIGHTENING TORQUE: 36.2LB-IN (4.1Nm)
 WIRE SIZE RANGE: (1) 12-10AWG TIGHTENING TORQUE: 47.8LB-IN (5.4Nm)
 WIRE SIZE RANGE: (1) 8-2/0AWG TIGHTENING TORQUE: 133.6LB-IN (15.1Nm)

LOAD LUGS ACCEPT
 WIRE SIZE RANGE: (1) 14-1/0AWG TIGHTENING TORQUE: 50LB-IN (6Nm)



- NOTES**
1. FAILSAFE FAULT RELAY SHOWN IN DE-ENERGIZED STATE. RELAY WILL ENERGIZE WHEN CONTROL POWER IS APPLIED TO CONTROL CARD, AND WILL REMAIN ENERGIZED WHEN NO FAULTS ARE PRESENT. RELAY WILL DE-ENERGIZE WHEN A FAULT OCCURS, OR IF CONTROL POWER IS REMOVED FROM THE CARD
 2. REFER TO INSTRUCTION MANUAL FOR STARTER CONFIGURATION.
 3. CUSTOMER SHOULD MONITOR GENERAL FAULT CONTACTS OF RELAY (R3) FOR FAULT DETECTION, AND REMOVE 2 WIRE RUN COMMAND WHEN A FAULT IS DETECTED.
 4. TIGHTEN CARD WIRING CONNECTIONS TO 2.7-3.5 in. lbs. (0.3-0.4 N-m).
 5. TIGHTEN POWER LUG FIELD WIRING CONNECTIONS TO CHART 1. SPECIFICATIONS. IF BREAKER IS SUPPLIED ON LINE SIDE OF STACK USE TORQUE VALUES ON BREAKER.
 6. REMOVE JUMPER WHEN INTERLOCKS ARE INSTALLED.
 7. SELECT EITHER TWO OR THREE WIRE CONTROL.
 8. STARTER SHIPPED SETUP FOR CUSTOMER SUPPLIED REMOTE 2 WIRE CONTROL. IF NO CONTROL IS TO BE USED THEN JUMPERS SHOULD REMAIN AS SHOWN.
 9. IF CUSTOMER SUPPLIED REMOTE 3 WIRE CONTROL IS NEEDED MAKE CUSTOMER CONNECTIONS AS SHOWN.
 10. CHANGE P49 (DI2) TO "FR" (FAULT RESET)
 11. SW1-1: (ANALOG INPUT) UP = CURRENT, DOWN = VOLTAGE
 SW1-2: (ANALOG OUTPUT) UP = VOLTAGE, DOWN = CURRENT
 12. PROGRAM (P78), FUN (03), CT RATIO = 864:1

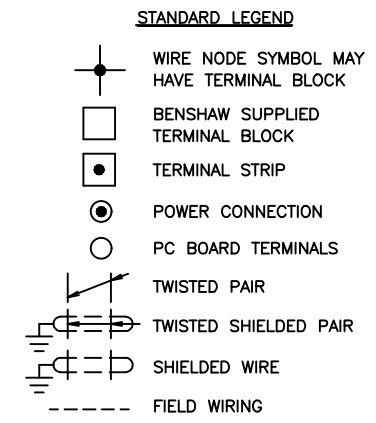
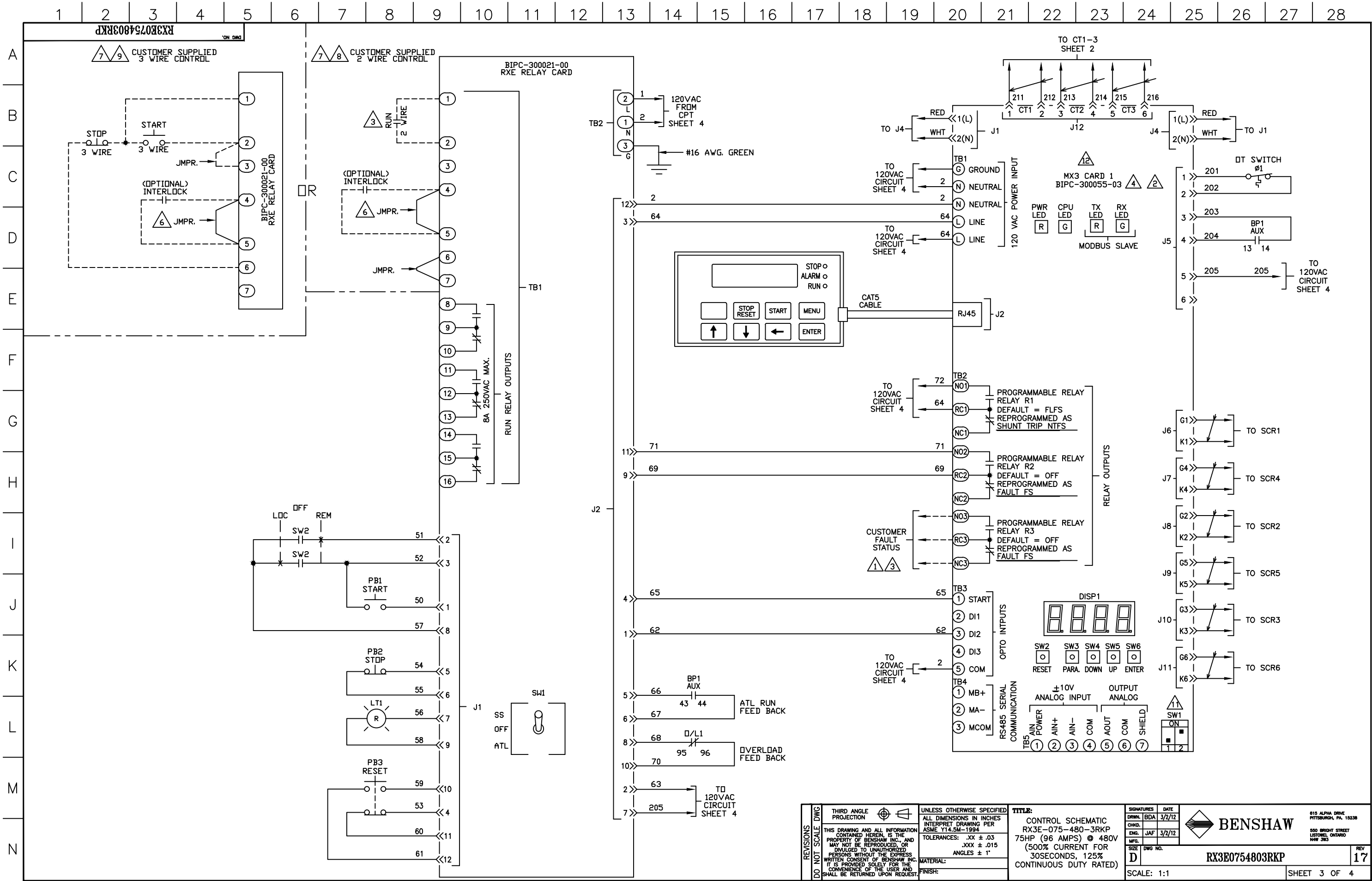


CHART 1
 TIGHTENING TORQUE SPECIFICATIONS FOR HEX HEAD SCREWS

BOLT SIZE	BOLTS - GRADE 5	
	(IN. LB)	(FT. LB)
1/4	96-120	8-10
5/16	180-228	15-19
3/8	300-396	25-33
7/16	480-648	40-54
1/2	720-936	60-78

REVISIONS DO NOT SCALE DWG	THIRD ANGLE PROJECTION	UNLESS OTHERWISE SPECIFIED ALL DIMENSIONS IN INCHES INTERPRET DRAWING PER ASME Y14.5M-1994	TITLE: POWER SCHEMATIC RX3E-075-480-3RKP 75HP (96 AMPS) @ 480V (500% CURRENT FOR 30SECONDS, 125% CONTINUOUS DUTY RATED)	SIGNATURES: BDA 3/2/12 DATE: 3/2/12 CHD: ENG: JAF 3/2/12 MFG:	615 ALPHA DRIVE PITTSBURGH, PA. 15238 550 BRIGHT STREET LISTONEL, ONTARIO M4W 3W5
	THIS DRAWING AND ALL INFORMATION CONTAINED HEREIN IS THE PROPERTY OF BENSHAW INC., AND MAY NOT BE REPRODUCED, OR DIVULGED TO UNAUTHORIZED PERSONS WITHOUT THE EXPRESS WRITTEN CONSENT OF BENSHAW INC. IT IS PROVIDED SOLELY FOR THE CONVENIENCE OF THE USER AND SHALL BE RETURNED UPON REQUEST.	TOLERANCES: .XX ± .03 .XXX ± .015 ANGLES ± 1°	MATERIAL: FINISH:	SIZE: D DWG NO.: RX3E0754803RKP REV: 17	
	SCALE: 1:1			SHEET 2 OF 4	
	FINISH:				

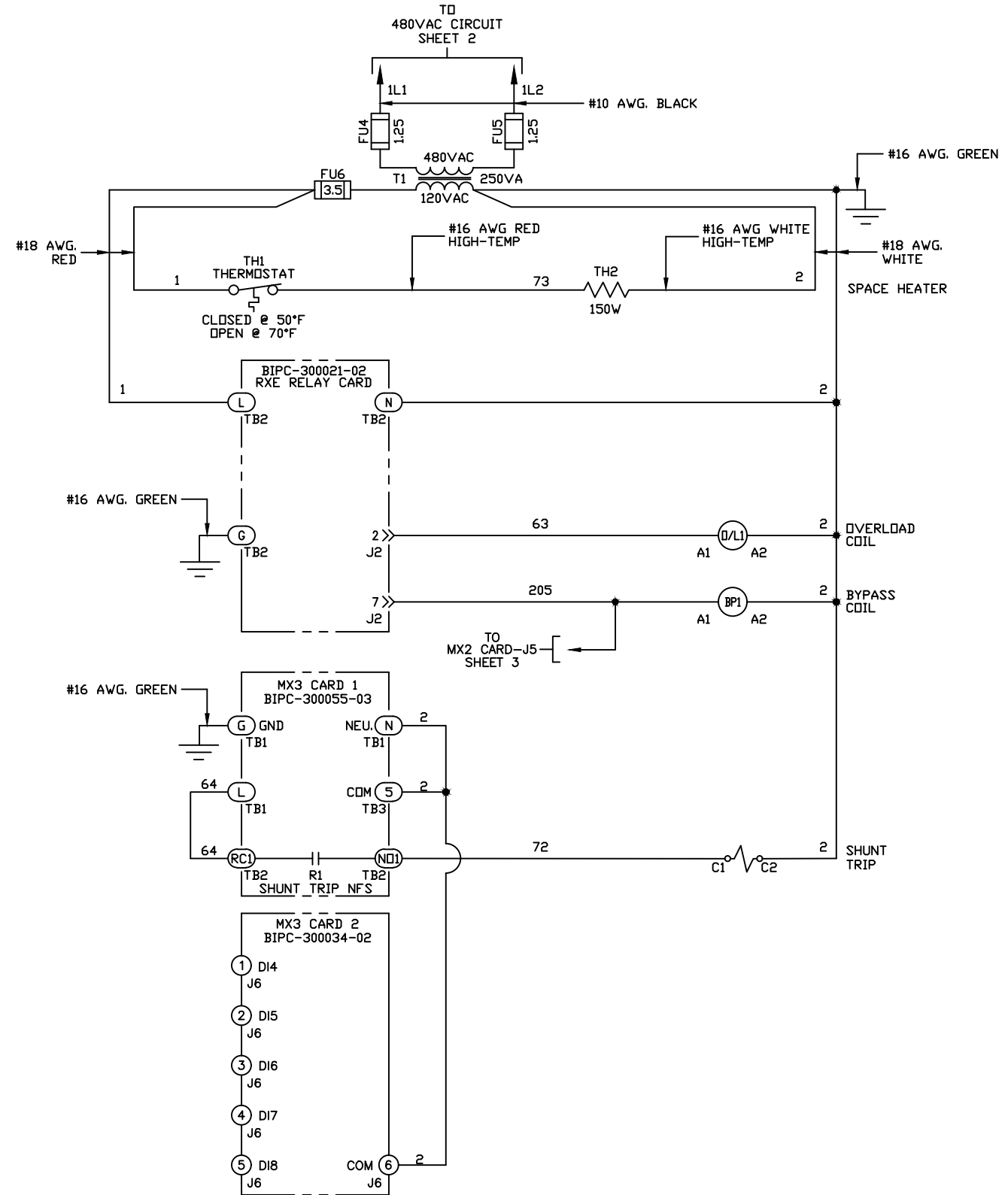
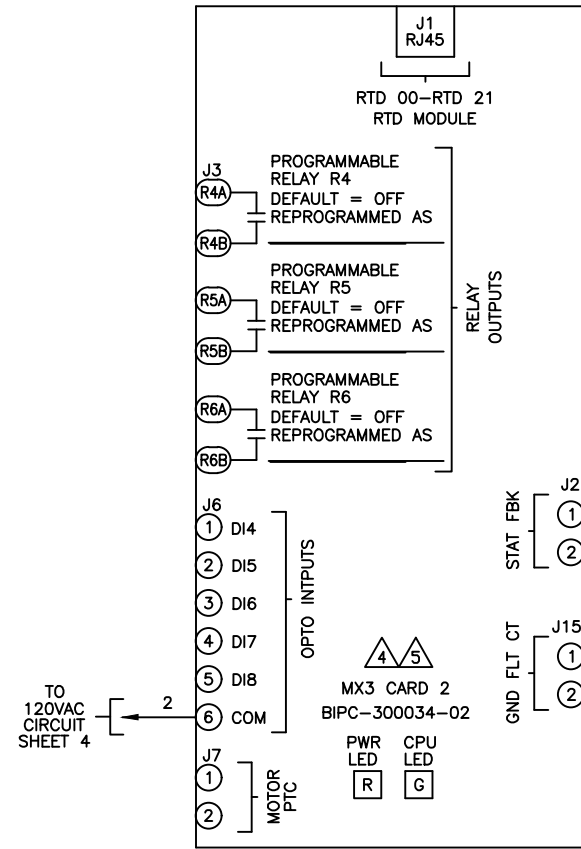


REVISIONS DO NOT SCALE DWG	THIRD ANGLE PROJECTION	UNLESS OTHERWISE SPECIFIED ALL DIMENSIONS IN INCHES INTERPRET DRAWING PER ASME Y14.5M-1994 TOLERANCES: .XX ± .03 .XXX ± .015 ANGLES ± 1°	TITLE: CONTROL SCHEMATIC RX3E-075-480-3RKP 75HP (96 AMPS) @ 480V (500% CURRENT FOR 30SECONDS, 125% CONTINUOUS DUTY RATED)	SIGNATURES: BDA DATE: 3/2/12	615 ALPHA DRIVE PITTSBURGH, PA. 15238 550 BRIGHT STREET LISTOWEL, ONTARIO M4W 3W5		
	THIS DRAWING AND ALL INFORMATION CONTAINED HEREIN IS THE PROPERTY OF BENSHAW INC. AND MAY NOT BE REPRODUCED, OR DIVULGED TO UNAUTHORIZED PERSONS WITHOUT THE EXPRESS WRITTEN CONSENT OF BENSHAW INC. IT IS PROVIDED SOLELY FOR THE CONVENIENCE OF THE USER AND SHALL BE RETURNED UPON REQUEST.		MATERIAL:	FINISH:		DWG NO.: D	REV:
	SCALE: 1:1		SHEET 3 OF 4	RX3E0754803RKP		17	

1 2 3 4 5 6 7 8 9 10 11 12 13 14 15 16 17 18 19 20 21 22 23 24 25 26 27 28

RX3E0754803RKP

A
B
C
D
E
F
G
H
I
J
K
L
M
N



REVISIONS DO NOT SCALE DWG	THIRD ANGLE PROJECTION	UNLESS OTHERWISE SPECIFIED ALL DIMENSIONS IN INCHES INTERPRET DRAWING PER ASME Y14.5M-1994 TOLERANCES: .XX ± .03 .XXX ± .015 ANGLES ± 1°	TITLE: CONTROL SCHEMATIC RX3E-075-480-3RKP 75HP (96 AMPS) @ 480V (500% CURRENT FOR 30SECONDS, 125% CONTINUOUS DUTY RATED)	DRWN: BDA 3/2/12	615 ALPHA DRIVE PITTSBURGH, PA. 15238 550 BRIGHT STREET LISTOWEL, ONTARIO M4W 3W5		
	THIS DRAWING AND ALL INFORMATION CONTAINED HEREIN IS THE PROPERTY OF BENSHAW INC. AND MAY NOT BE REPRODUCED, OR DIVULGED TO UNAUTHORIZED PERSONS WITHOUT THE EXPRESS WRITTEN CONSENT OF BENSHAW INC. IT IS PROVIDED SOLELY FOR THE CONVENIENCE OF THE USER AND SHALL BE RETURNED UPON REQUEST.			ENG: JAF 3/2/12			
	MATERIAL:			FINISH:		MFG:	DATE: 3/2/12
	SIZE: D			DWG NO.:		REV: 17	