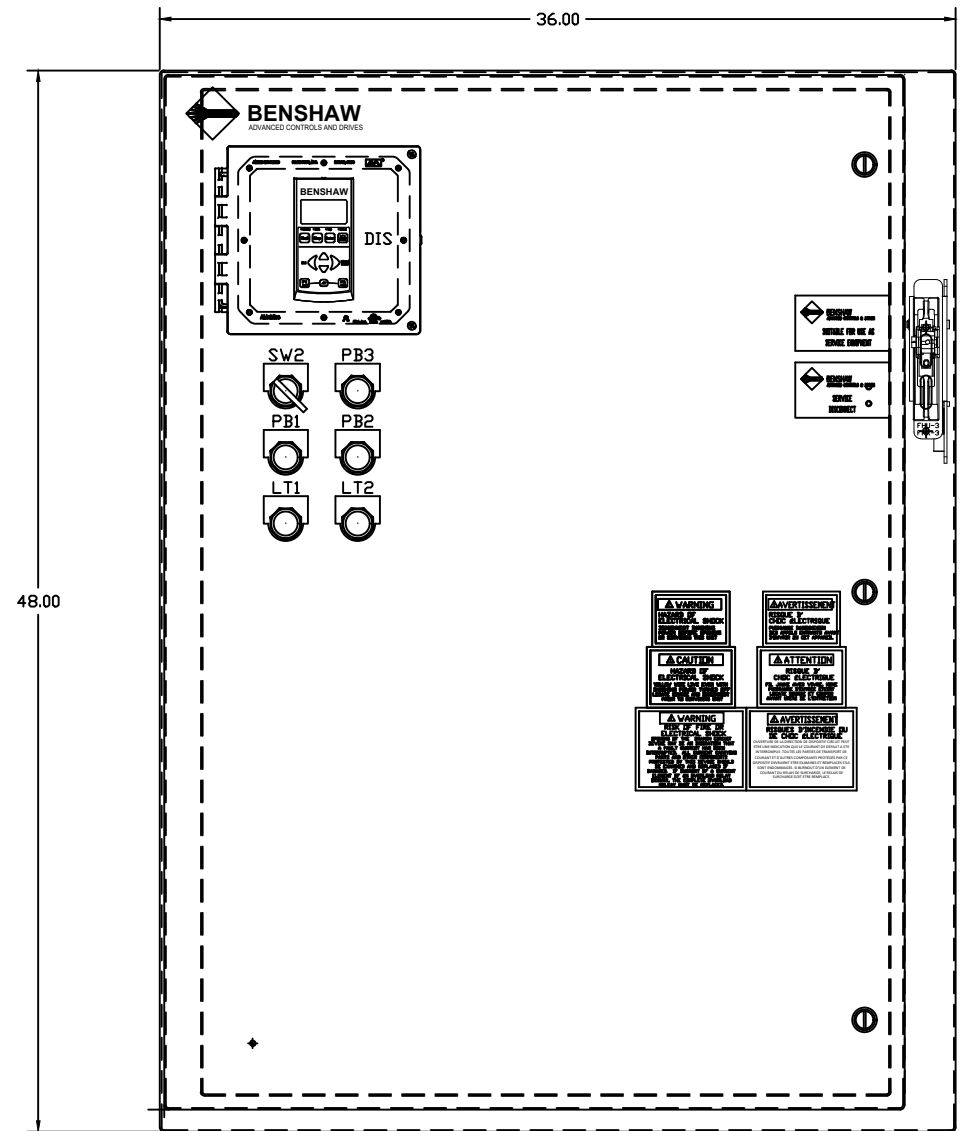
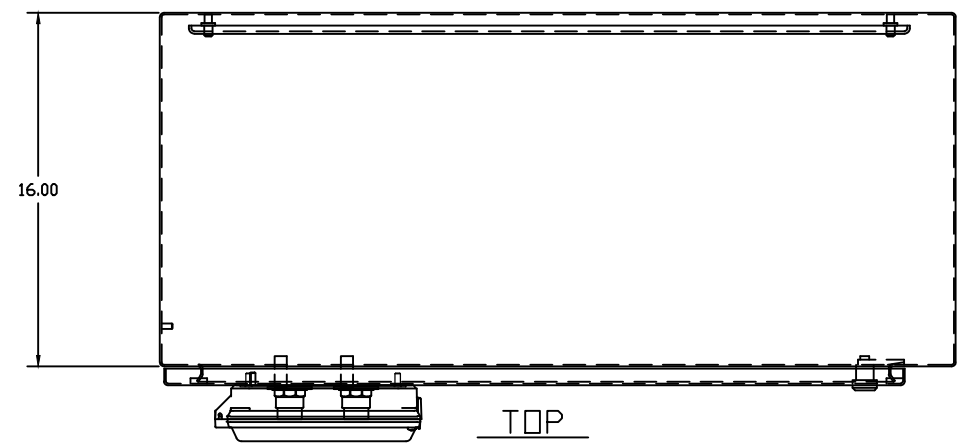


1 2 3 4 5 6 7 8 9 10 11 12 13 14 15 16 17 18 19 20 21 22 23 24 25 26 27 28

RX4E3004803RKP HB

A
B
C
D
E
F
G
H
I
J
K
L
M
N

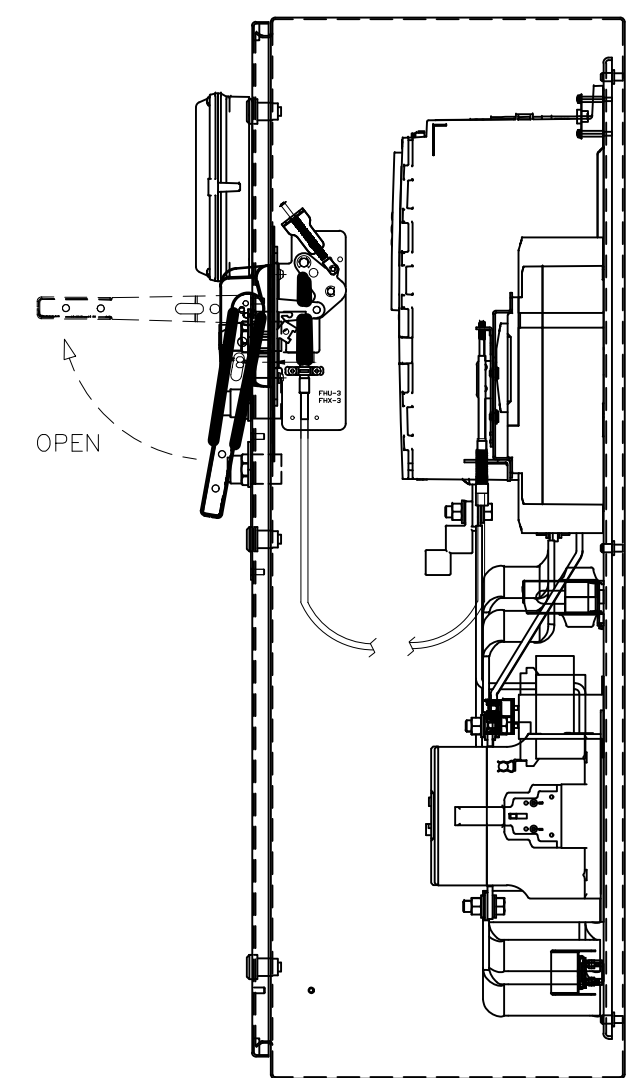
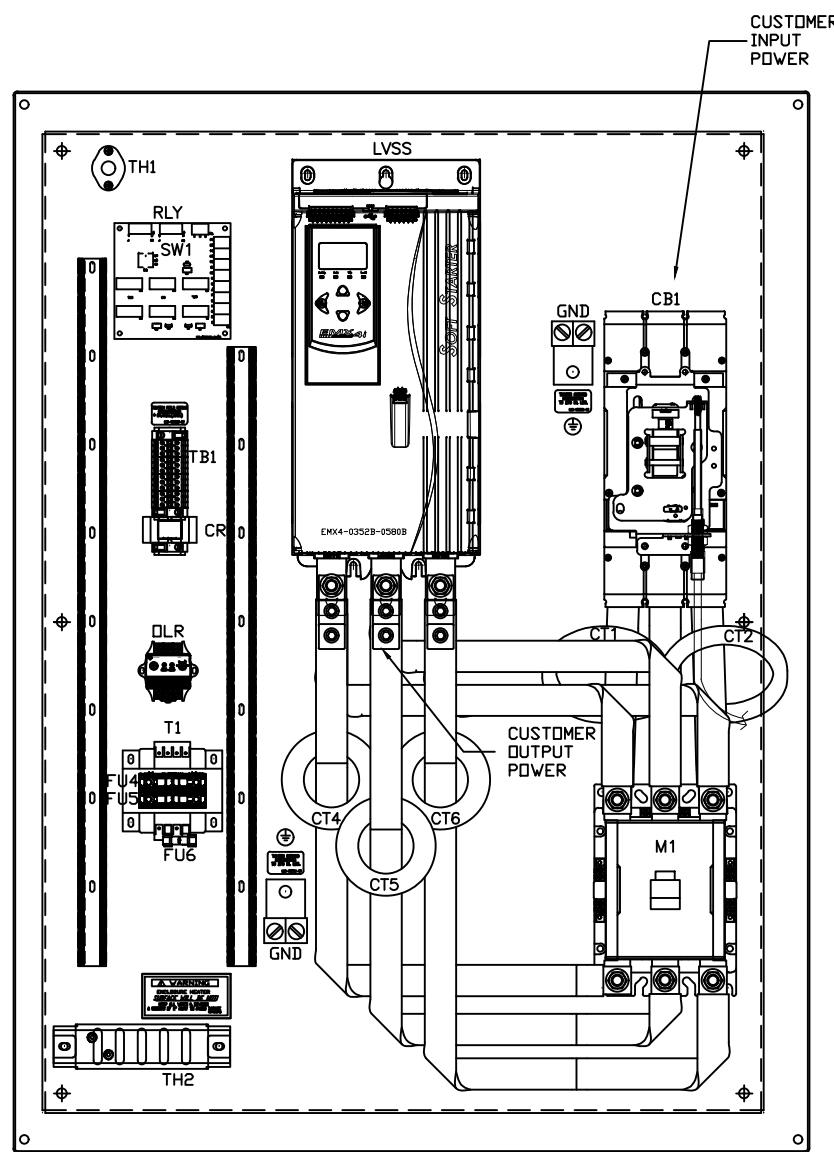


NOTES:

- ⚠ MINIMUM WIRE BENDING SPACE SHALL BE 10.00" FROM TOP OF CIRCUIT BREAKER POWER CONNECTION TO TOP OF ENCLOSURE.
- ⚠ ENSURE THAT ALL RIBBON CABLES ARE ROUTED AWAY FROM POWER CONDUCTORS.
- ⚠ MINIMUM WIRE BENDING SPACE SHALL BE 10.00" FROM BOTTOM OF POWERSTACK POWER CONNECTION TO BOTTOM OF ENCLOSURE.
- ⚠ ENCLOSURE LAYOUT IS DESIGNED FOR CABLE ENTRY/EXIT TO BE TOP/BOTTOM.

LEGEND

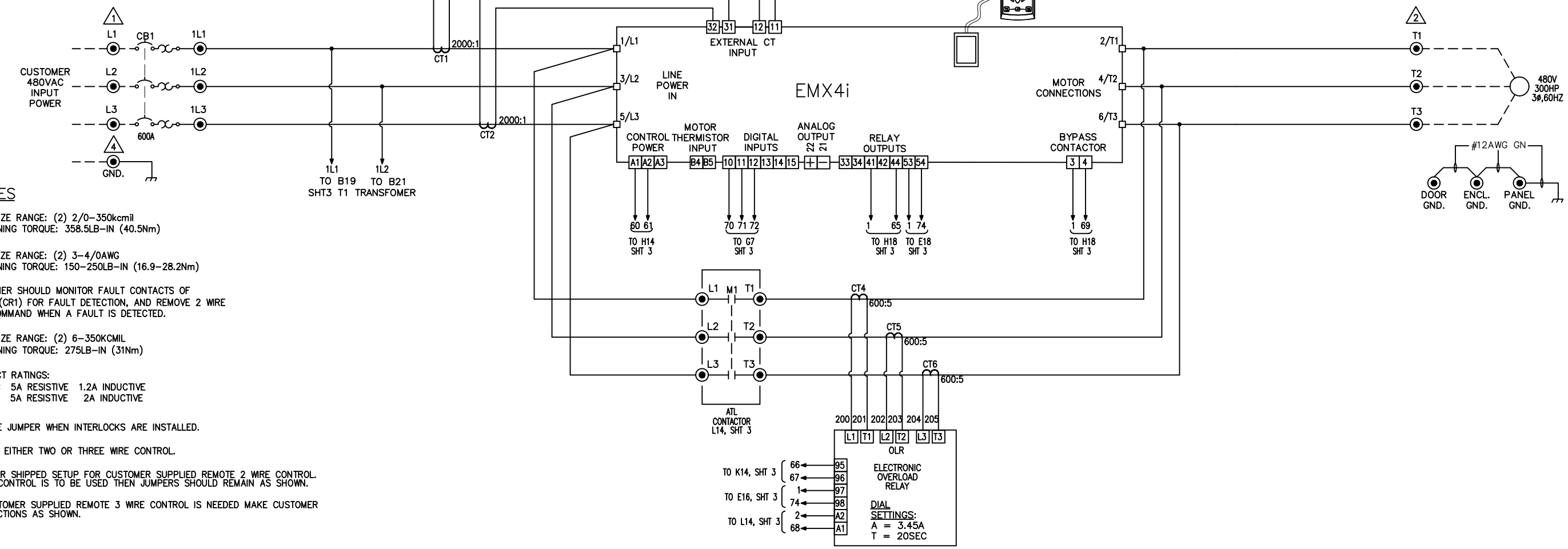
- CB1 CIRCUIT BREAKER
- CR1 4 POLE RELAY
- CT4-6 OVERLOAD CT'S
- DIS DOOR MOUNTED KEYPAD
- FU4-5 PRIMARY FUSES (T1)
- FU6 SECONDARY FUSE (T1)
- GND GROUND LUGS
- LT1 RUN PILOT LIGHT
- LT2 FAULT PILOT LIGHT
- LVSS EMX41 SOFT STARTER
- M1 ATL CONTACTOR
- DLR OVERLOAD RELAY
- PB1 START PUSHBUTTON
- PB2 STOP PUSHBUTTON
- PB3 RESET PUSHBUTTON
- RLY SS-ATL RELAY CARD
- SW1 RVSS-ALT SEL. SWITCH
- SW2 LOCAL-OFF-REMOTE SEL. SWITCH
- T1 CONTROL POWER TRANSFORMER
- TH1 THERMISTAT
- TH2 SPACE HEATER



1 APPR'D: MSN 04/20/22 CHG BY: MSN 04/20/22 CHANGE: EMX41---B TO EMX41---E	REVISIONS DO NOT SCALE DWG	THIRD ANGLE PROJECTION	UNLESS OTHERWISE SPECIFIED ALL DIMENSIONS IN INCHES INTERPRET DRAWING PER ASME Y14.5M-1994 TOLERANCES: .XX ± .03 .XXX ± .015 ANGLES ± 1°	TITLE: ENCLOSURE LAYOUT RX4E-300-480-3RKP-HB 300HP (358 AMPS) @ 480V (450% CURRENT FOR 30 SECONDS, 125% CONTINUOUS DUTY RATED)	SIGNATURES DRWN: MSN 08/17/20 CHKD: BDA 08/17/20 ENG: MSN 08/17/20	DATE 08/17/20	615 ALPHA DRIVE PITTSBURGH, PA. 15238 550 BRIGHT STREET LISTONEL, ONTARIO N4W 5W5	REV 1		
		THIS DRAWING AND ALL INFORMATION CONTAINED HEREIN, IS THE PROPERTY OF BENSHAW INC., AND MAY NOT BE REPRODUCED, OR DIVULGED TO UNAUTHORIZED PERSONS WITHOUT THE EXPRESS WRITTEN CONSENT OF BENSHAW INC. IT IS PROVIDED SOLELY FOR THE CONVENIENCE OF THE USER AND SHALL BE RETURNED UPON REQUEST.			MATERIAL:	FINISH:			SIZE D	DWG NO. RX4E3004803RKP HB
		SCALE: 1:4			SHEET 1 OF 3					

RX4E3004803RKP HB

SETTINGS CHANGED DURING FACTORY TESTING:
 (1B) - MOTOR FLA
 (1F) - 115
 (2D) - 450
 (8A) - OPERATING
 (8D) - TRIP

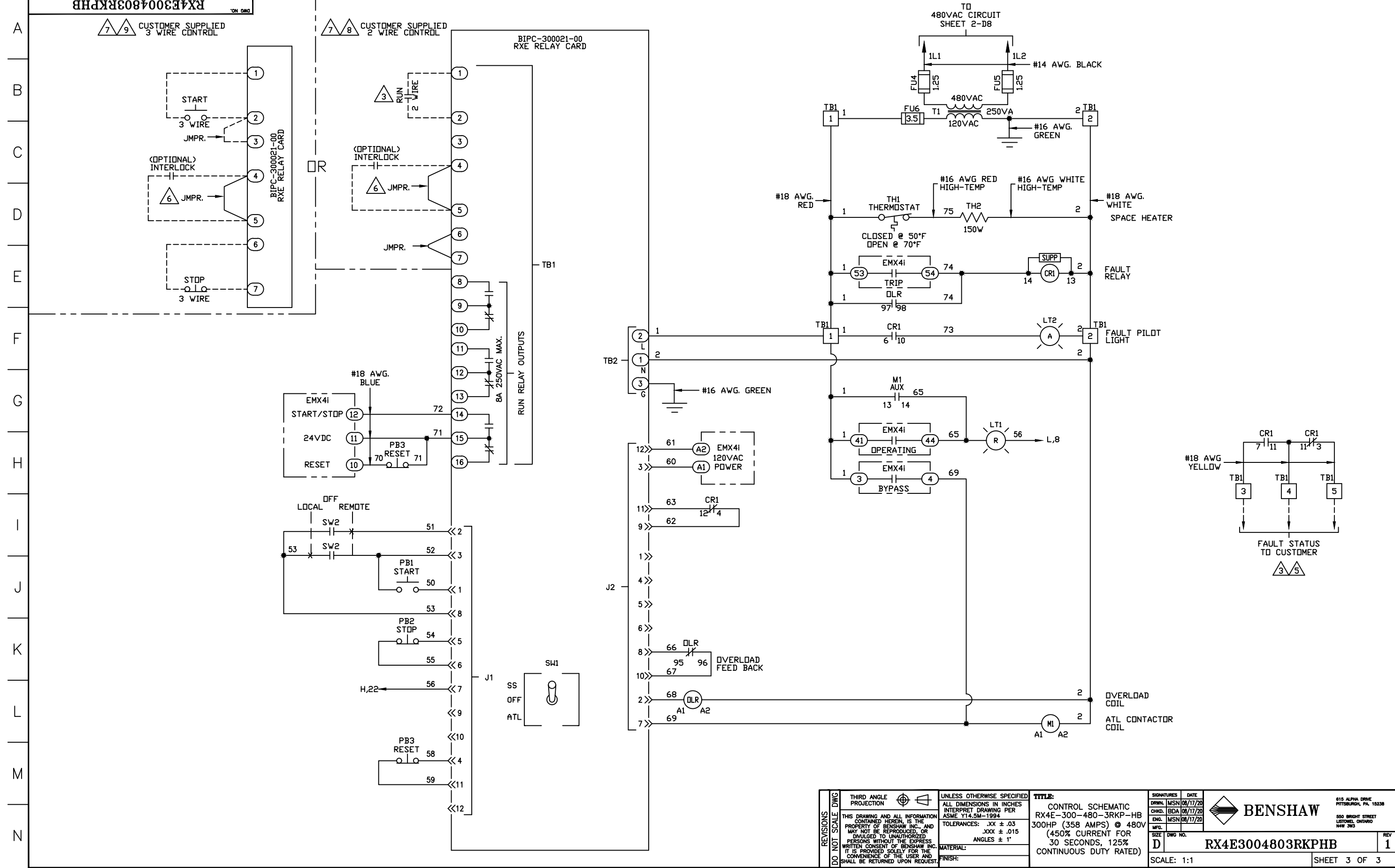


- NOTES**
- 1 WIRE SIZE RANGE: (2) 2/0-350kcmil
TIGHTENING TORQUE: 358.5LB-IN (40.5Nm)
 - 2 WIRE SIZE RANGE: (2) 3-4/0AWG
TIGHTENING TORQUE: 150-250LB-IN (16.9-28.2Nm)
 - 3 CUSTOMER SHOULD MONITOR FAULT CONTACTS OF RELAY (CR1) FOR FAULT DETECTION, AND REMOVE 2 WIRE RUN COMMAND WHEN A FAULT IS DETECTED.
 - 4 WIRE SIZE RANGE: (2) 6-350KCMIL
TIGHTENING TORQUE: 275LB-IN (31Nm)
 - 5 CONTACT RATINGS:
240VAC 5A RESISTIVE 1.2A INDUCTIVE
30VDC 5A RESISTIVE 2A INDUCTIVE
 - 6 REMOVE JUMPER WHEN INTERLOCKS ARE INSTALLED.
 - 7 SELECT EITHER TWO OR THREE WIRE CONTROL.
 - 8 STARTER SHIPPED SETUP FOR CUSTOMER SUPPLIED REMOTE 2 WIRE CONTROL. IF NO CONTROL IS TO BE USED THEN JUMPERS SHOULD REMAIN AS SHOWN.
 - 9 IF CUSTOMER SUPPLIED REMOTE 3 WIRE CONTROL IS NEEDED MAKE CUSTOMER CONNECTIONS AS SHOWN.

STANDARD LEGEND

- WIRE NODE SYMBOL MAY HAVE TERMINAL BLOCK
- BENSHAW SUPPLIED TERMINAL BLOCK
- TERMINAL STRIP
- POWER CONNECTION
- PC BOARD TERMINALS
- TWISTED PAIR
- TWISTED SHIELDED PAIR
- SHIELDED WIRE
- FIELD WIRING

REVISIONS DO NOT SCALE DWG	THIRD ANGLE PROJECTION	UNLESS OTHERWISE SPECIFIED ALL DIMENSIONS IN INCHES INTERPRET DRAWING PER ASME Y14.5M-1994 TOLERANCES: .XX ± .03 .XXX ± .015 ANGLES ± 1°	TITLE: POWER SCHEMATIC RX4E-300-480-3RKP-HB 300HP (358 AMPS) @ 480V (450% CURRENT FOR 30SECONDS, 125% CONTINUOUS DUTY RATED)	SIGNATURES DATE DRWN: MSN 08/17/20 CHRD: BDA 08/17/20 ENG: MSN 08/17/20 MFG:	BENSRAW 615 ALPHA DRIVE PITTSBURGH, PA. 15238 550 BRIGHT STREET LISTOWEL, ONTARIO M4W 3W5		
	THIS DRAWING AND ALL INFORMATION CONTAINED HEREIN IS THE PROPERTY OF BENSRAW INC. AND MAY NOT BE REPRODUCED, OR DIVULGED TO UNAUTHORIZED PERSONS WITHOUT THE EXPRESS WRITTEN CONSENT OF BENSRAW INC. IT IS PROVIDED SOLELY FOR THE CONVENIENCE OF THE USER AND SHALL BE RETURNED UPON REQUEST.		MATERIAL: FINISH:	SIZE DWG NO. D RX4E3004803RKP HB		REV 1	
	SCALE: 1:1			SHEET 2 OF 3			



REVISIONS DO NOT SCALE DWG	THIRD ANGLE PROJECTION	UNLESS OTHERWISE SPECIFIED ALL DIMENSIONS IN INCHES INTERPRET DRAWING PER ASME Y14.5M-1994 TOLERANCES: .XX ± .03 .XXX ± .015 ANGLES ± 1° MATERIAL:	TITLE: CONTROL SCHEMATIC RX4E-300-480-3RKP-HB 300HP (358 AMPS) @ 480V (450% CURRENT FOR 30 SECONDS, 125% CONTINUOUS DUTY RATED)	SIGNATURES DATE DRWN: MSN 08/17/20 CHD: BDA 08/17/20 ENG: MSN 08/17/20 MFG:	615 ALPHA DRIVE PITTSBURGH, PA. 15238 550 BRIGHT STREET LISTON, ONTARIO N4W 3W5	
	THIS DRAWING AND ALL INFORMATION CONTAINED HEREIN IS THE PROPERTY OF BENSHAW INC., AND MAY NOT BE REPRODUCED, OR DIVULGED TO UNAUTHORIZED PERSONS WITHOUT THE EXPRESS WRITTEN CONSENT OF BENSHAW INC. IT IS PROVIDED SOLELY FOR THE CONVENIENCE OF THE USER AND SHALL BE RETURNED UPON REQUEST.		SIZE DWG NO. D	REV 1		
	SCALE: 1:1		SHEET 3 OF 3			
	TITLE:		REV:			