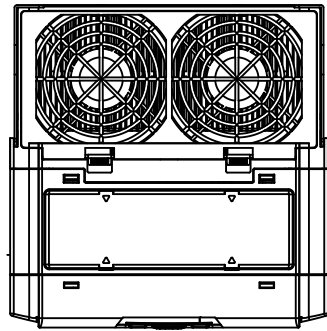


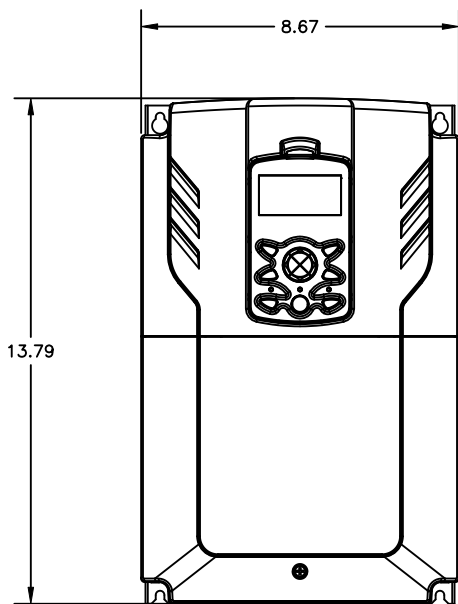
VFD-RSI-025-H2-2C ON DWG

A
B
C
D
E
F
G
H
I
J
K
L
M
N

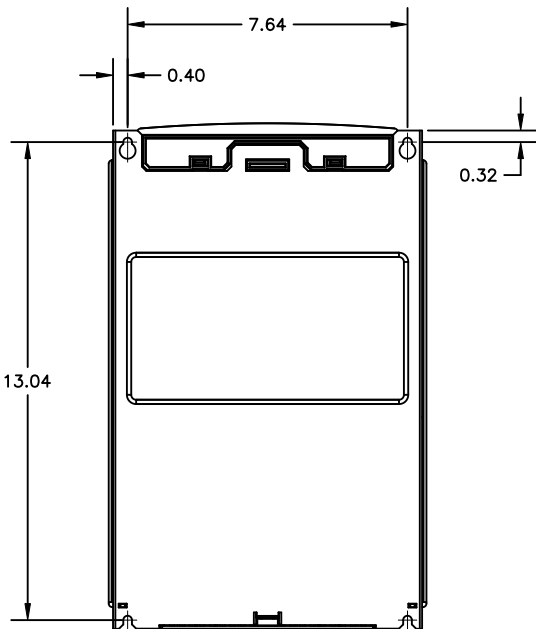
Item	Voltage / Phase	Normal Duty Rating	Normal Duty Amps	Heavy Duty Rating	Heavy Duty Amps	Weight	Heat Loss(W)	UL/IP RATING
VFD-RSI-025-H2-2C	230V / 3φ	25HP / 18.5kW	69.0A	20HP / 15kW	60.0A	15.6lb / 7.1kg	600	UL OPEN / IP20



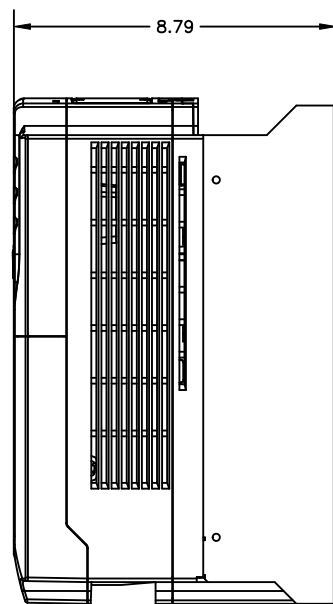
TOP VIEW



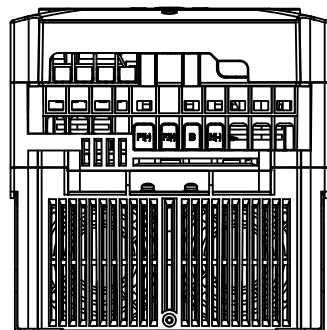
FRONT VIEW



BACK VIEW



RIGHT SIDE VIEW



BOTTOM VIEW

NOTES:
 * HD: Heavy duty type for constant torque load 150%P* ND: Normal duty type for variable torque load 110/120%P* Heatloss is measured with 60Hz, 100% load and default carrier frequency.
 * Refer to product manual for additional details and specifications
 * UL Type 1 is achieved with optional conduit box. P/N EN-101040-01

DO NOT SCALE DWG	THIRD ANGLE PROJECTION	UNLESS OTHERWISE SPECIFIED	TITLE: H2 SERIES VFD 25HP, 240V, 69A, ND 20HP, 240V, 60A, HD UL OPEN (IP20)	SIGNATURES	DATE	615 ALPHA DRIVE PITTSBURGH, PA. 15238 550 BRIGHT STREET LISTOWEL, ONTARIO M4W 3W3	
	THIS DRAWING AND ALL INFORMATION CONTAINED HEREIN, IS THE PROPERTY OF BENSHAW INC. AND MAY NOT BE REPRODUCED, OR DIVULGED TO UNAUTHORIZED PERSONS WITHOUT THE EXPRESS WRITTEN CONSENT OF BENSHAW INC. IT IS PROVIDED SOLELY FOR THE CONVENIENCE OF THE USER AND SHALL BE RETURNED UPON REQUEST.	ALL DIMENSIONS IN INCHES INTERPRET DRAWING PER ASME Y14.5M-1994		TOLERANCES: .XX ± .03 .XXX ± .015 ANGLES ± 1°	DRWN: R,JF 03/31/20		CHKD: DRP 11/17/20
		MATERIAL:		FINISH:	ENGR: DRP 01/07/22		MFG:
					SIZE: D		DWG NO. VFD-RSI-025-H2-2C
SCALE: 1:1			SHEET 1 OF 1				