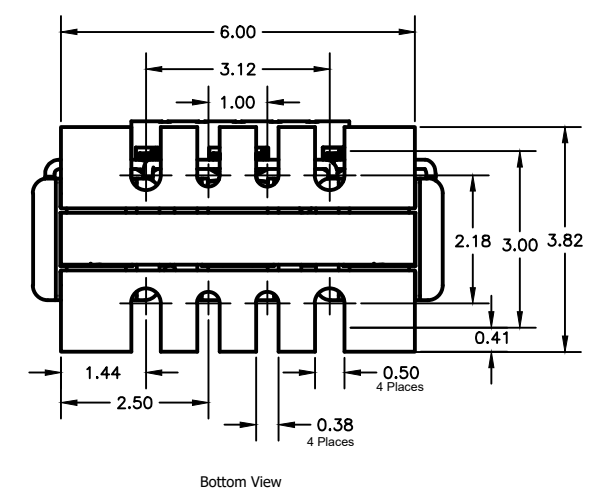
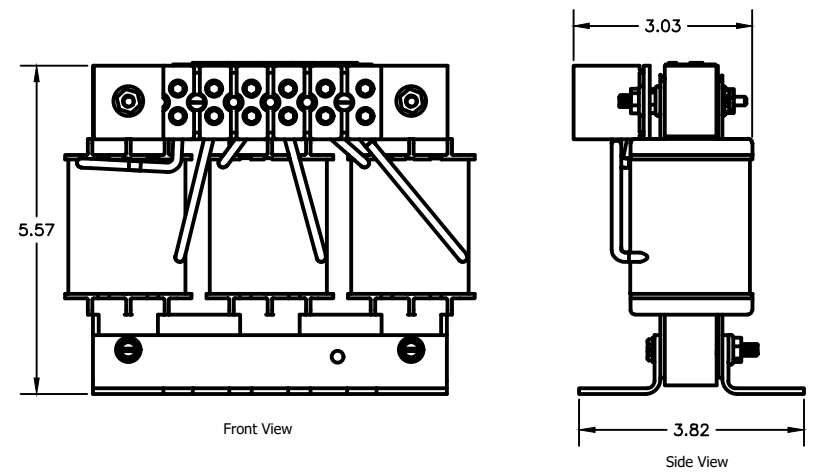
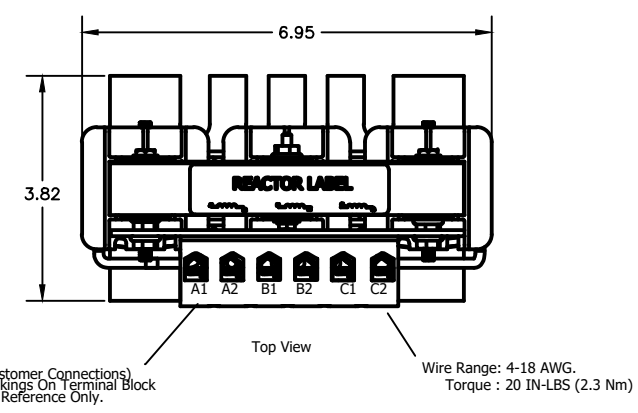
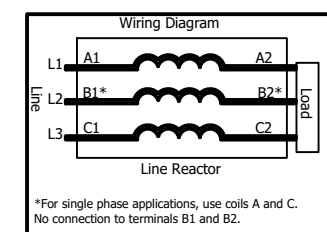
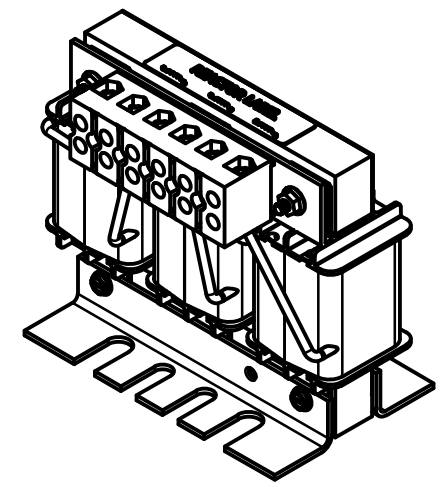


R2LR030-43C



480 V, 600 V Max. Low Z						
Part Number	Horsepower (HP)	Motor Amps (A)	Maximum Amps (A)	Inductance (uH) +/-10%	Weight (lbs)	Losses (W)
R2LR030-43C	30.00	40.00	45.00	469	10.00	105.00



Notes: 1. Installation Instructions: Manual Part Number 890059-00-00.
2. NEC Current and Horsepower Based On 208 Volts.
3. Customer Is Responsible For Installation To Meet All National And Local Electrical Codes.

REVISIONS DO NOT SCALE DWG	THIRD ANGLE PROJECTION	UNLESS OTHERWISE SPECIFIED ALL DIMENSIONS IN INCHES INTERPRET DRAWING PER ASME Y14.5M-1994 TOLERANCES: .XX ± .03 .XXX ± .015 ANGLES ± 1° MATERIAL: FINISH:	TITLE: LINE REACTOR 3% IMPEDANCE 480 V, 30 HP, 40.0 A OPEN	SIGNATURES DRW: DRP 07/20/22	DATE 07/20/22	615 ALPHA DRIVE PITTSBURGH, PA. 15238 550 BRIGHT STREET LISTOWEL, ONTARIO M4W 3W5	
	THIS DRAWING AND ALL INFORMATION CONTAINED HEREIN IS THE PROPERTY OF BENSHAW INC. AND MAY NOT BE REPRODUCED, OR DIVULGED TO UNAUTHORIZED PERSONS WITHOUT THE EXPRESS WRITTEN CONSENT OF BENSHAW INC. IT IS PROVIDED SOLELY FOR THE CONVENIENCE OF THE USER AND SHALL BE RETURNED UPON REQUEST.			SIZE D	DWG NO. R2LR030-43C		REV 0
	SCALE: 1:1			SHEET 1 OF 1			