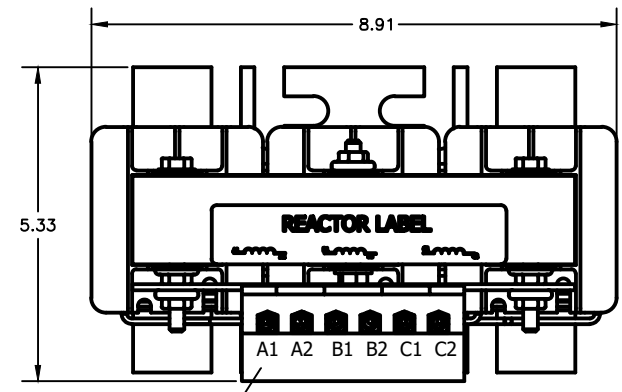


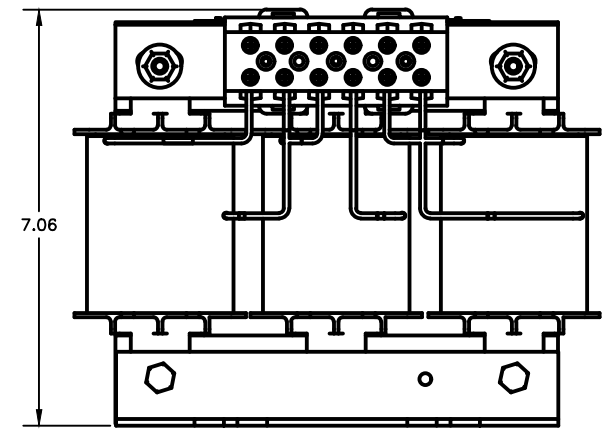
R2LR050-43C



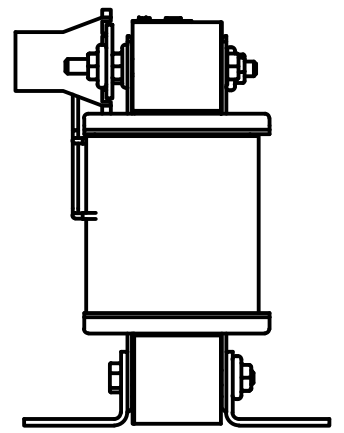
Top View

(Customer Connections) Markings On Terminal Block For Reference Only.

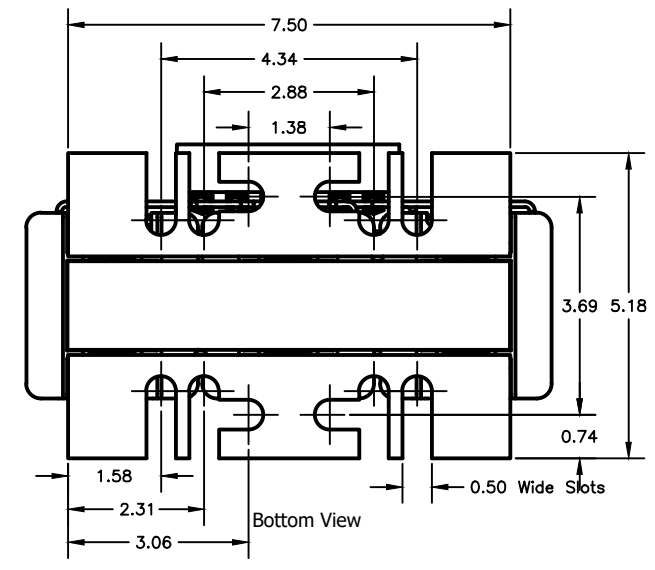
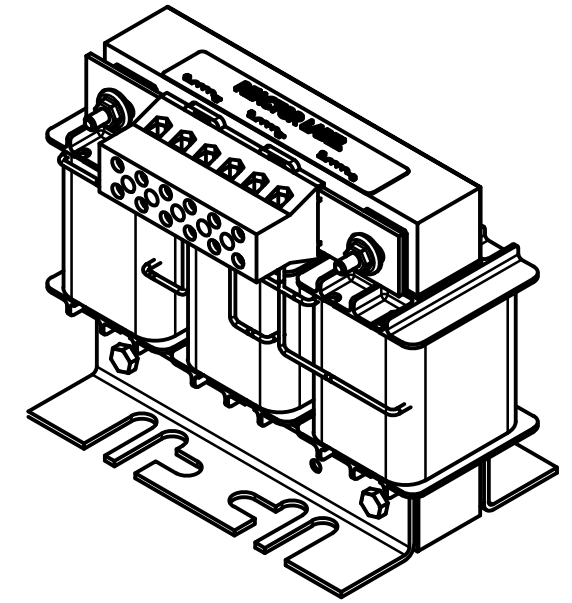
Wire Range: 1- 4 AWG. Torque : 35 IN-LBS (3.95 Nm)  
 6- 14 AWG. Torque : 30 IN-LBS (3.39 Nm)  
 16- 20 AWG. Torque : 25 IN-LBS (2.28 Nm)  
 22 AWG. Torque : 20 IN-LBS (2.26 Nm)



Front View

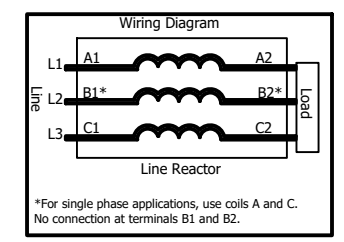


Side View



Bottom View

480 V, 600 V Max. Low Z						
Part Number	Horsepower (HP)	NEC Amps (A)	Maximum Amps (A)	Inductance (uH) +/-10%	Weight (lbs)	Losses (W)
R2LR050-43C	50.00	65.00	65.00	295.00	25.00	114.00



\*For single phase applications, use coils A and C. No connection at terminals B1 and B2.

Notes: 1. Installation Instructions: Manual Part Number 890059-00-00.  
 2. Customer Is Responsible For Installation To Meet All National And Local Electrical Codes.

REVISIONS DO NOT SCALE DWG	THIRD ANGLE PROJECTION	UNLESS OTHERWISE SPECIFIED ALL DIMENSIONS IN INCHES INTERPRET DRAWING PER ASME Y14.5M-1994 TOLERANCES: .XX ± .03 .XXX ± .015 ANGLES ± 1° MATERIAL: FINISH:	TITLE: LINE REACTOR 3% IMPEDANCE 480V, 50 HP, 65.0 A OPEN	SIGNATURES DRW: DRP 08/10/22 ENG: DRP 08/10/22 MFD: SIZE D DWG NO.	DATE 08/10/22	615 ALPHA DRIVE PITTSBURGH, PA. 15238 550 BRIGHT STREET LISTOWEL, ONTARIO M4W 3W5	REV 0	
	THIS DRAWING AND ALL INFORMATION CONTAINED HEREIN IS THE PROPERTY OF BENSHAW INC., AND MAY NOT BE REPRODUCED, OR DIVULGED TO UNAUTHORIZED PERSONS WITHOUT THE EXPRESS WRITTEN CONSENT OF BENSHAW INC. IT IS PROVIDED SOLELY FOR THE CONVENIENCE OF THE USER AND SHALL BE RETURNED UPON REQUEST.			R2LR050-43C	SCALE: 1:1			SHEET 1 OF 1
				SHEET 1 OF 1				
				SHEET 1 OF 1				