

EMX4 - Advanced Soft Starter



Smart does not have to mean complex. The EMX4 has been designed to make your life easier with an intuitive display and connectivity functions. Access the right information when you need it through the comprehensive graphical display and quick setup menus.

The EMX4 includes starter, motor and system protection functions, complete with alarms to alert you to any potential issues. And for critical must-run applications, the Power Through and Emergency Run function gives you the ability to keep running even if you lose one phase. On-display QR codes allow for fast troubleshooting and support via smartphone.

The built in USB port allows for straightforward upload, download and storage of starter performance information. Optional communications cards enable network connections and more.

There are two models of EMX4 soft starters available: The EMX4i full featured soft starter with ratings up to 1200A or the 'cost optimized' EMX4e model with limited features and ratings (up to 580A).

EMX4i vs. EMX4e - It's your choice

Feature Sets	EMX4e	EMX4i
MOTOR CONTROL		
Motor sets	1	2
Constant current and current ramp start	•	•
Adaptive control starting/stopping	•	•
Kickstart		•
Coast to stop and TVR stop	•	•
DC brake		•
Soft brake		•
Jog (forward and reverse)		•
Inside delta (6 wire) control		•
Soft trip	•	•
Pump clean		•
Reversing contactor control		•
MOTOR PROTECTION		
Motor thermistor	•	•
Current imbalance	•	•
Under/Overcurrent	•	•
Under/Overvoltage		•
Under/Overpower (dry pump protection)		•
Phase sequence (forward/reverse/any)	•	•
Phase loss	•	•
Power loss	•	•
Starts per hour limiting	•	•
Restart delay (pump back spin delay)	•	•
INTEGRATION AND MANAGEMENT		
Multi-language graphical display	•	•
Configurable display screen	•	•
I/O and network expansion options	•	•
USB port and data logging	•	•
Analog output	•	•
Emergency run	•	•
Voltage measurement		•
SCR fail PowerThrough operation		•
Daily on/off scheduling		•
Run timer mode (on/off cycle timer)		•
Run simulation	•	•



Ratings

	Standard 350%, 30 s, 4 starts per hour				Heavy 450%, 30 s, 4 starts per hour				Dimensions			
	A	HP @230 VAC	HP @460 VAC	HP @575 VAC	A	HP @230 VAC	HP @460 VAC	HP @575 VAC	Height inch (mm)	Width inch (mm)	Depth inch (mm)	Weight lb (kg)
EMX4i-0024B	17	5	10	15	14	3	10	10				10.7 (4.8)
EMX4i-0042B	28	10	20	25	22	7.5	15	20				
EMX4i-0052B	35	10	25	30	28	10	20	25				10.9 (4.9)
EMX4i-0064B	52	15	30	40	40	10	25	30	13.2 (336)	6.0 (152)	9.1 (231)	
EMX4i-0069B	59	20	40	50	46	15	30	40				
EMX4i-0105B	77	25	50	60	52	15	40	50				12.1 (5.5)
EMX4i-0115B	81	30	60	75	65	20	50	60				
EMX4i-0135B	99	30	75	100	77	25	60	75				
EMX4i-0184B	124	40	100	100	96	30	60	75				
EMX4i-0200B	131	50	100	125	104	40	75	100	19.5 (495)			28.0 (12.7)
EMX4i-0229B	156	60	125	150	124	40	100	100				
EMX4i-0250B	195	75	150	200	156	60	125	150		8.5 (216)	9.6 (243)	34.2 (15.5)
EMX4i-0352B	240	75	150	200	180	60	150	150				
EMX4i-0397B	261	100	200	250	203	75	150	200	20.6 (523)			41.9 (19.0)
EMX4i-0410B	377	150	300	350	302	100	250	300				
EMX4i-0550B	414	150	350	450	321	125	250	300				41.9 (19.0)
EMX4i-0580B	477	200	400	500	361	150	300	350				
EMX4i-0835B	515	200	450	500	414	150	350	450				112.4 (51)
EMX4i-0940B	590	200	500	600	480	200	400	500				
EMX4i-1070B	796	300	600	800	619	250	500	600	24.3 (618)	17.6 (446)	12.2 (310)	136.7 (62) 138.9 (63)
EMX4i-1230B	984	400	800	1000	768	300	600	800				
EMX4i-1250B	1130	450	900	1100	903	350	700	900				143.3 (65)

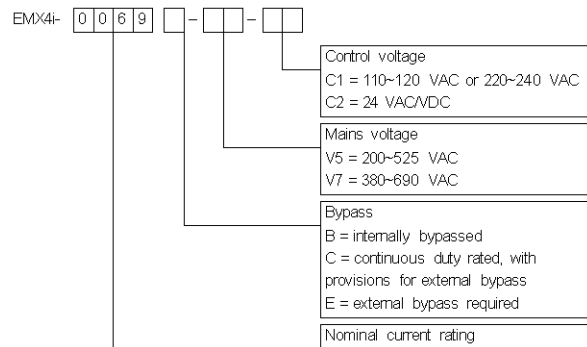
* EMX4e available only up to -0580 model

Smart Card Technology

The EMX4i Smart Card redefines the role of a soft starter. With the appropriate Smart Card installed the EMX4i is able to operate as an entire system controller. Smart Cards deliver industry or application specific functionality and are easily inserted into the EMX4i, simplifying system design, installation and set-up.



Part Number Selection



* See user manual or catalog for 'C' and 'E' model max amp ratings

Benshaw, Inc.
615 Alpha Drive, Pittsburgh, PA 15238, United States
Phone: 412.968.0100

Benshaw Canada Controls, Inc.
550 Bright Street East, Listowel, Ontario N4W 3W3, Canada
Phone: 519.291.5112

Specifications subject to change without notice. Copyright© 2026 Benshaw, Inc. | All rights reserved.
LIT-10001-00-01 | Updated 06-01-2026 | Printed in the USA